

Ryan Model 1097 Rotary Table Utility Slicer

High-speed versatile horizontal slicer for French rolls, bagels, English muffins, buns, croissants, etc.

Capacity: Up to 8000 units per hour depending on product and in-feed method.
Will handle product up to 8" in width, 3" tall, and 24" long.

Single-blade (1097A) or Dual-blade (1097B) Configuration

Standard Features:

4 foot diameter rotary table

8" wide conveyor

USDA approved powder-coated tubular steel frame

Plated steel blade housings, conveyors, and guards

1 HP motors on blades with brakes to stop blades within one revolution upon shut-down

Coded magnetic safety switches on lexan blade covers that allow operation only when covers are in place

14" Teflon-coated circular saw blades

Adjustable for cut height, depth, and product width

Factory adjustable conveyor speed (non-vary-drive machines)

3-Phase power (208 or 240 volt) 20 amp

5" casters

Options:

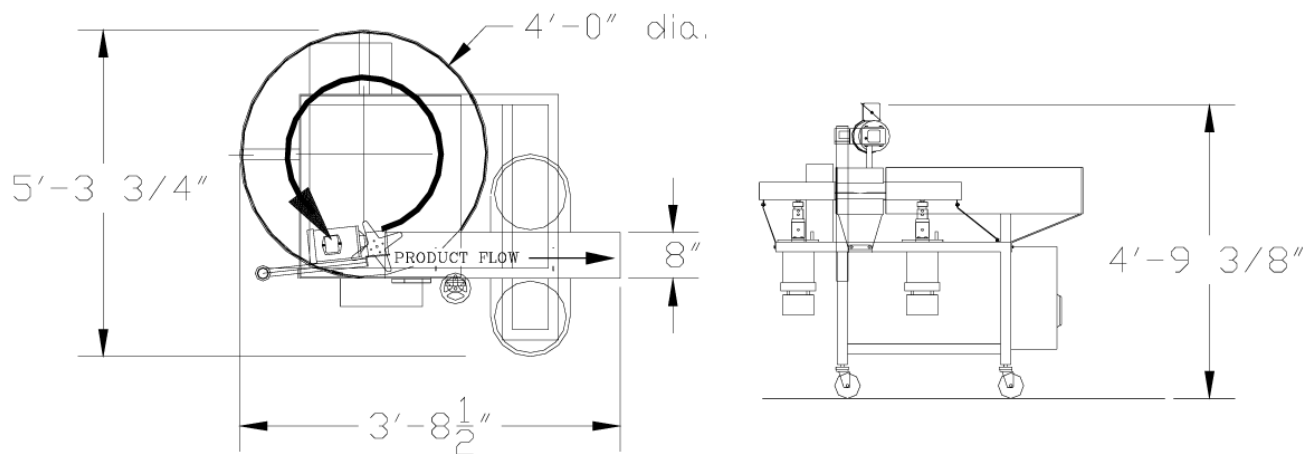
Turn table/conveyor variable speed drive

Product counter

Air-operated product diverter on end of conveyor

In-table in-feed product guide (for sub-roll-type products)

Right-hand or left-hand configuration (left-hand shown)



RYAN
TECHNOLOGY, INC.