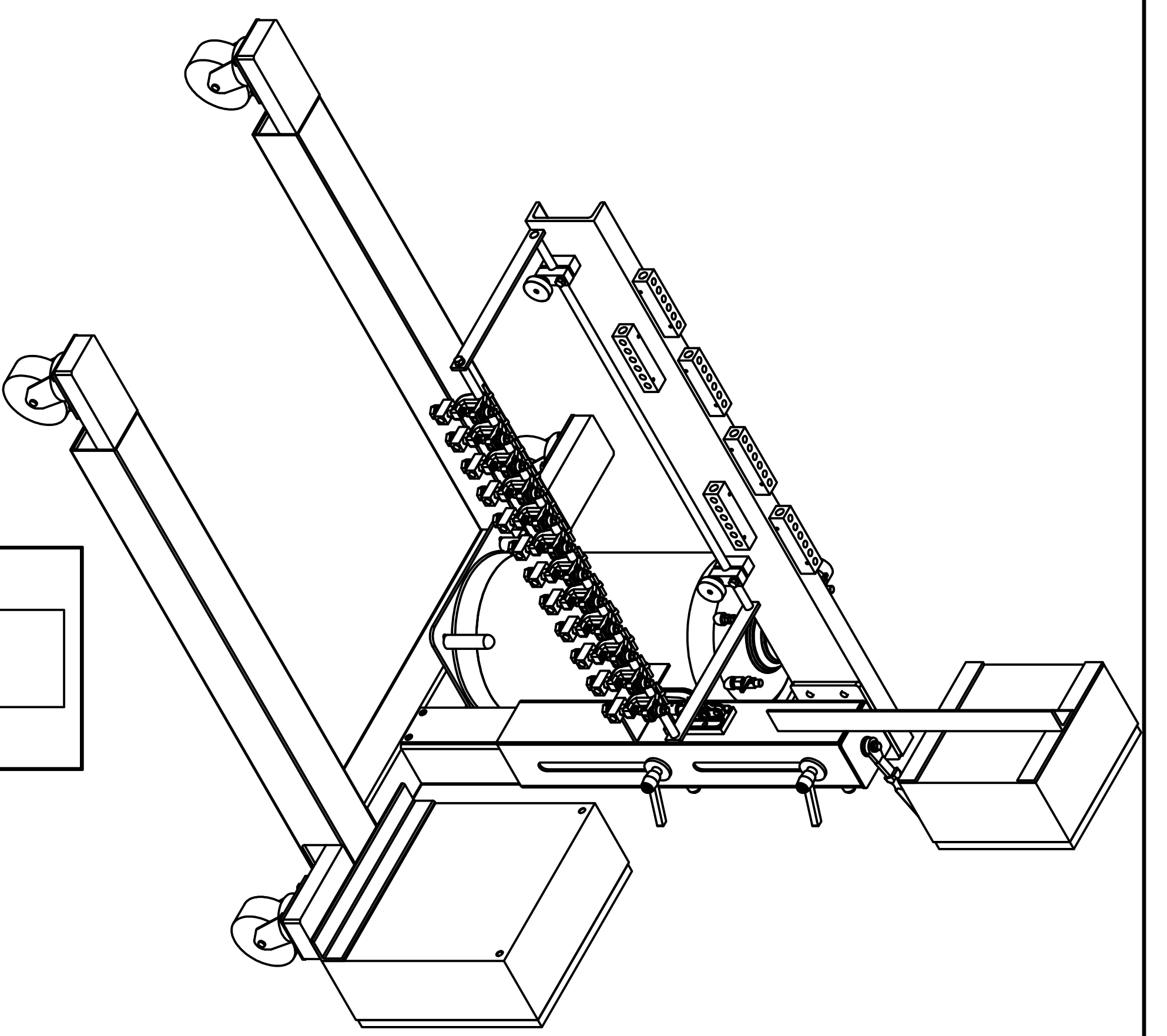
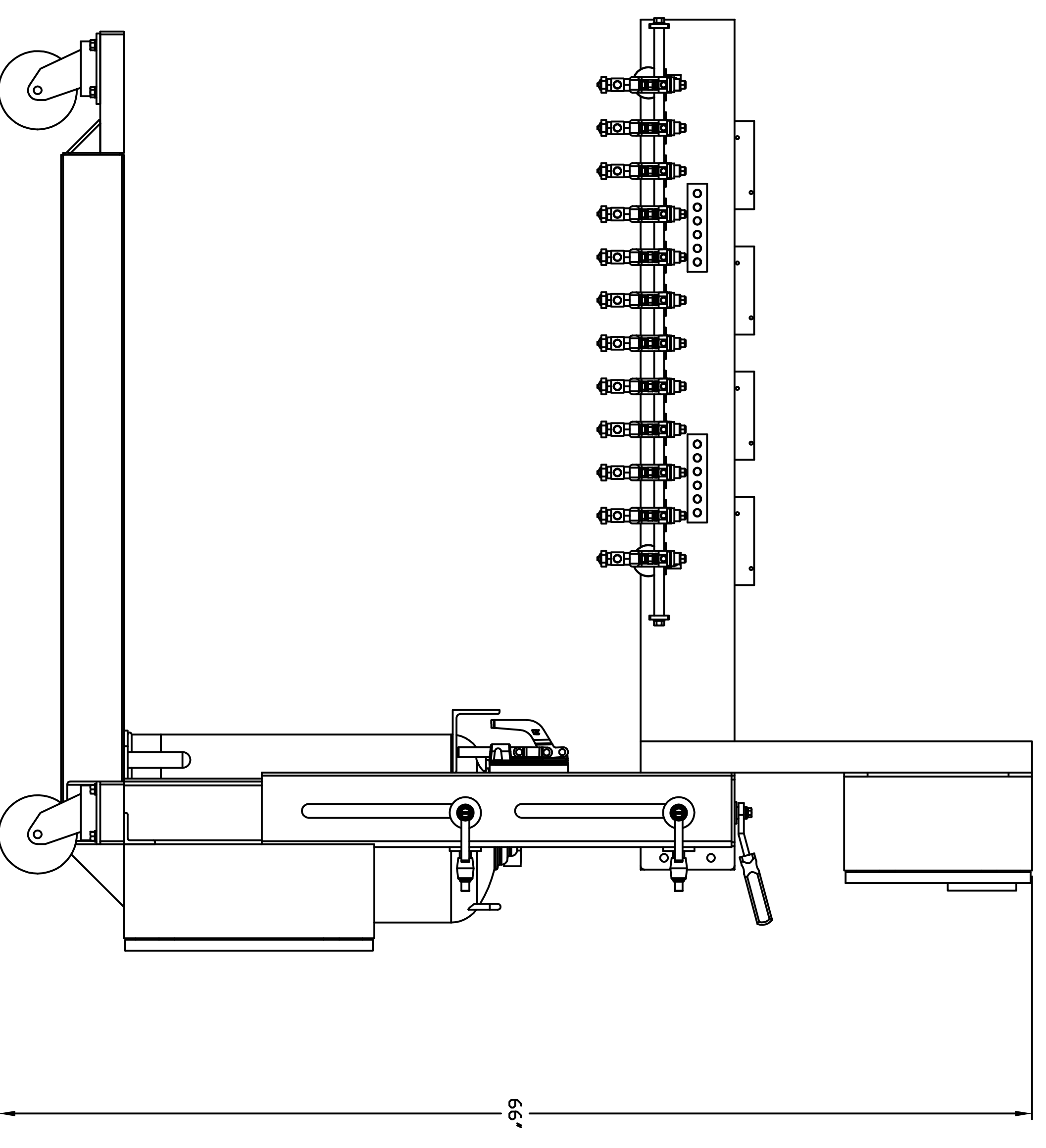
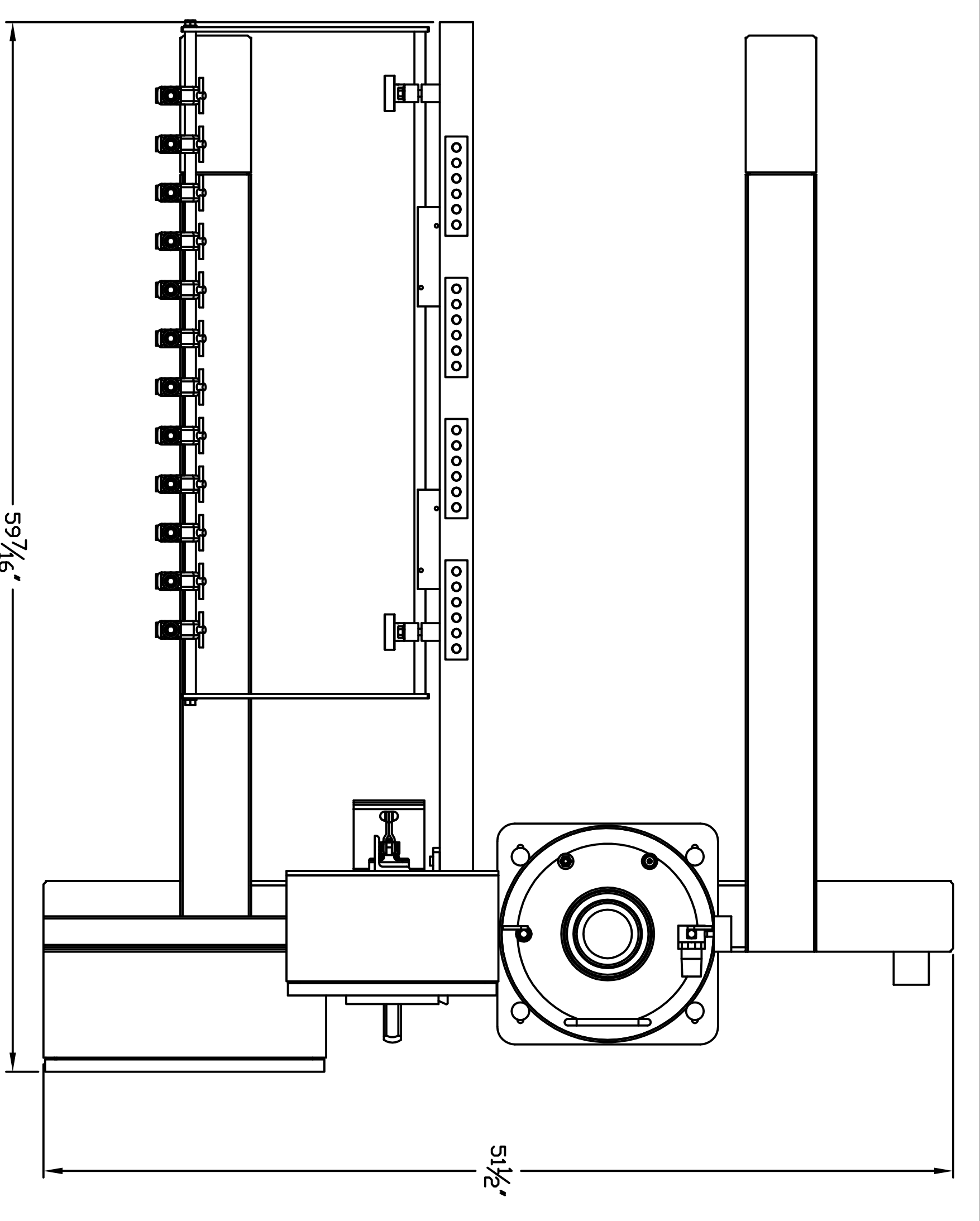


DIRECTION OF TRAVEL →

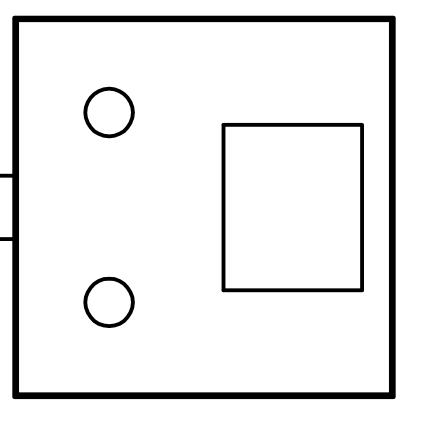


FEDCO CANTILEVERED TARGET OILER
 MRS. WILLMAN'S BAKERY, CALGERY, ALBERTA

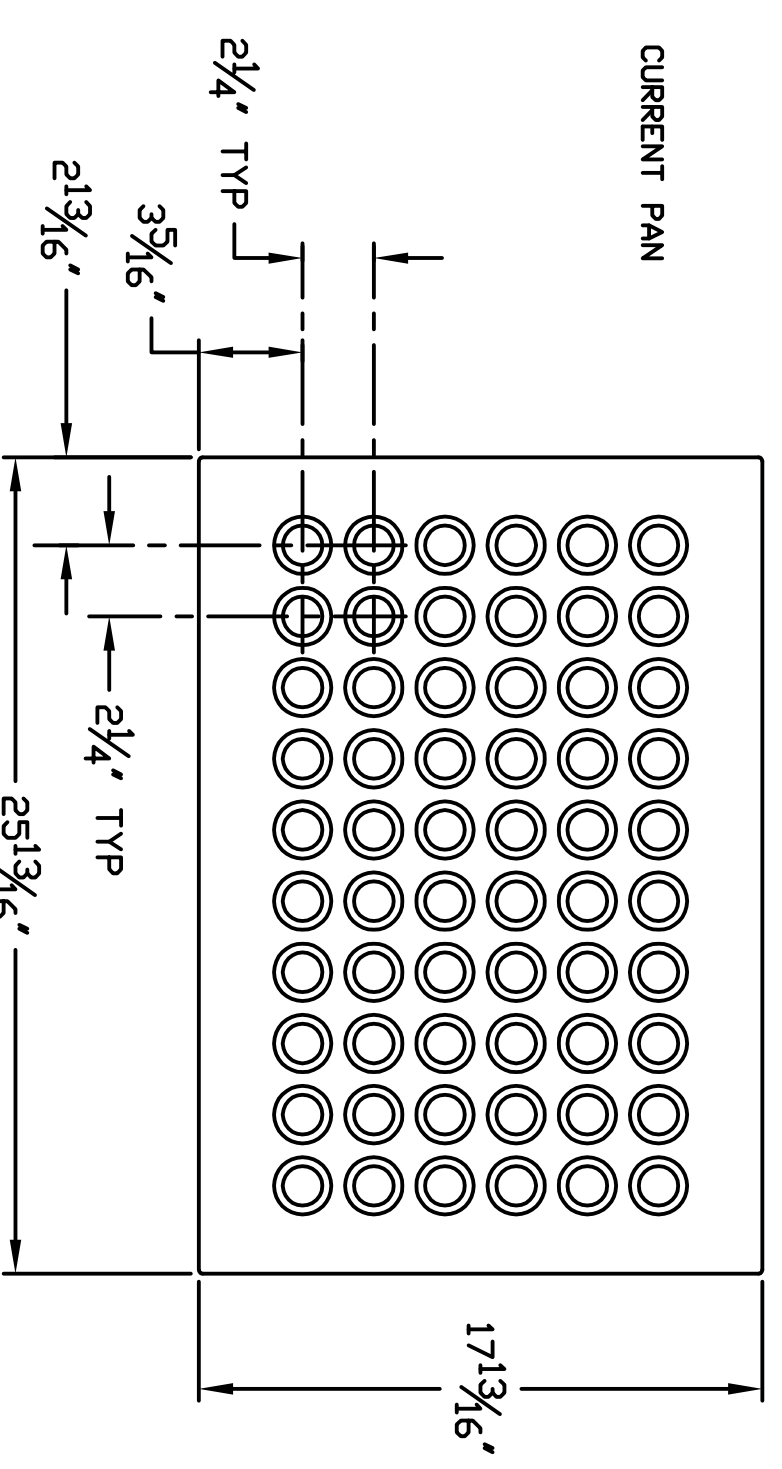
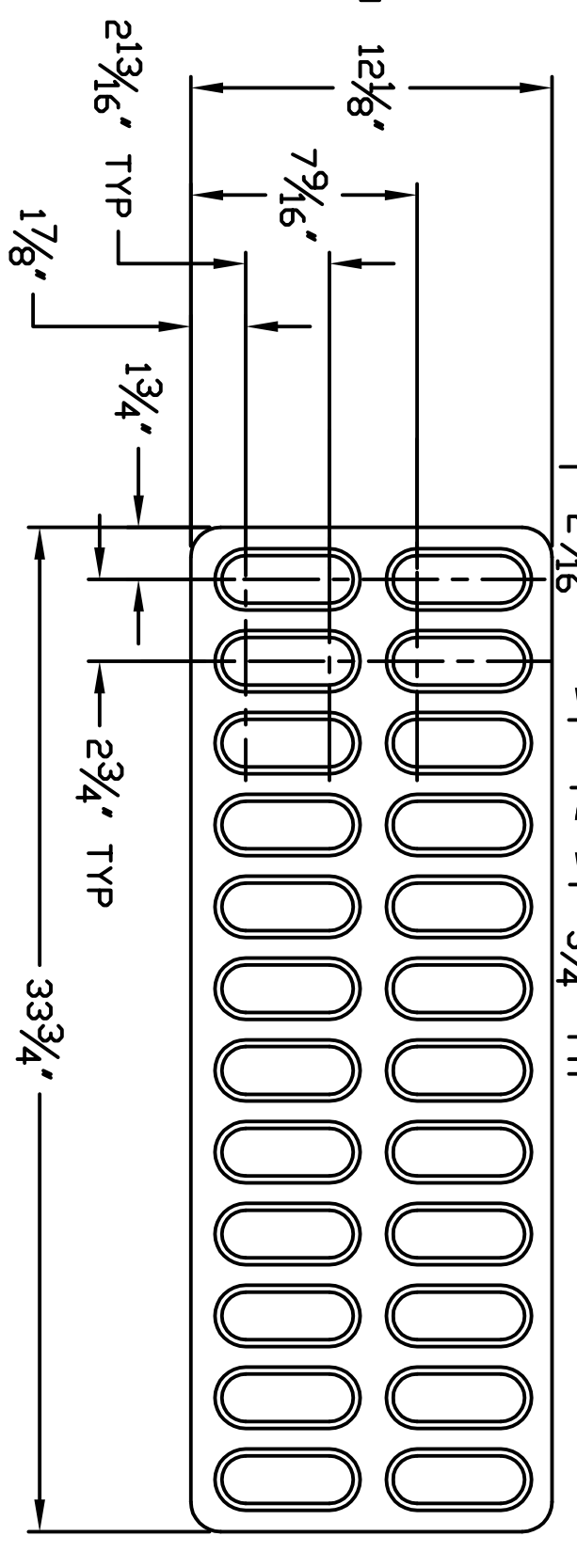
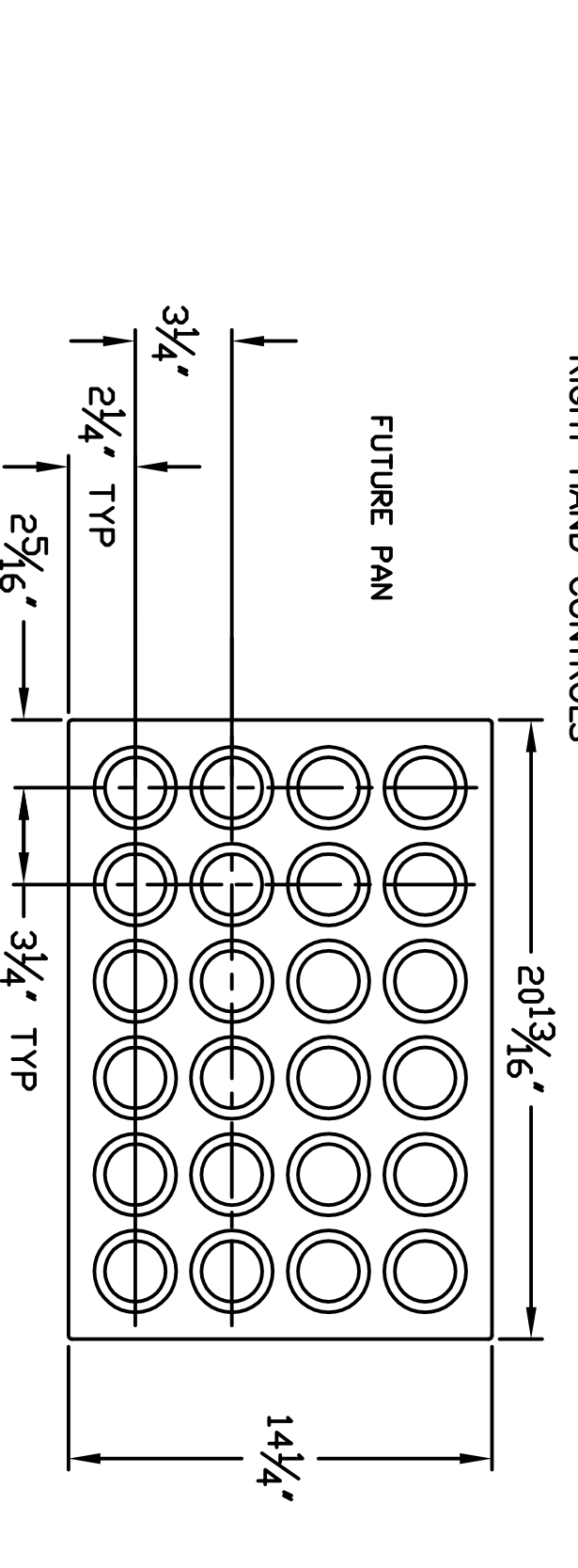
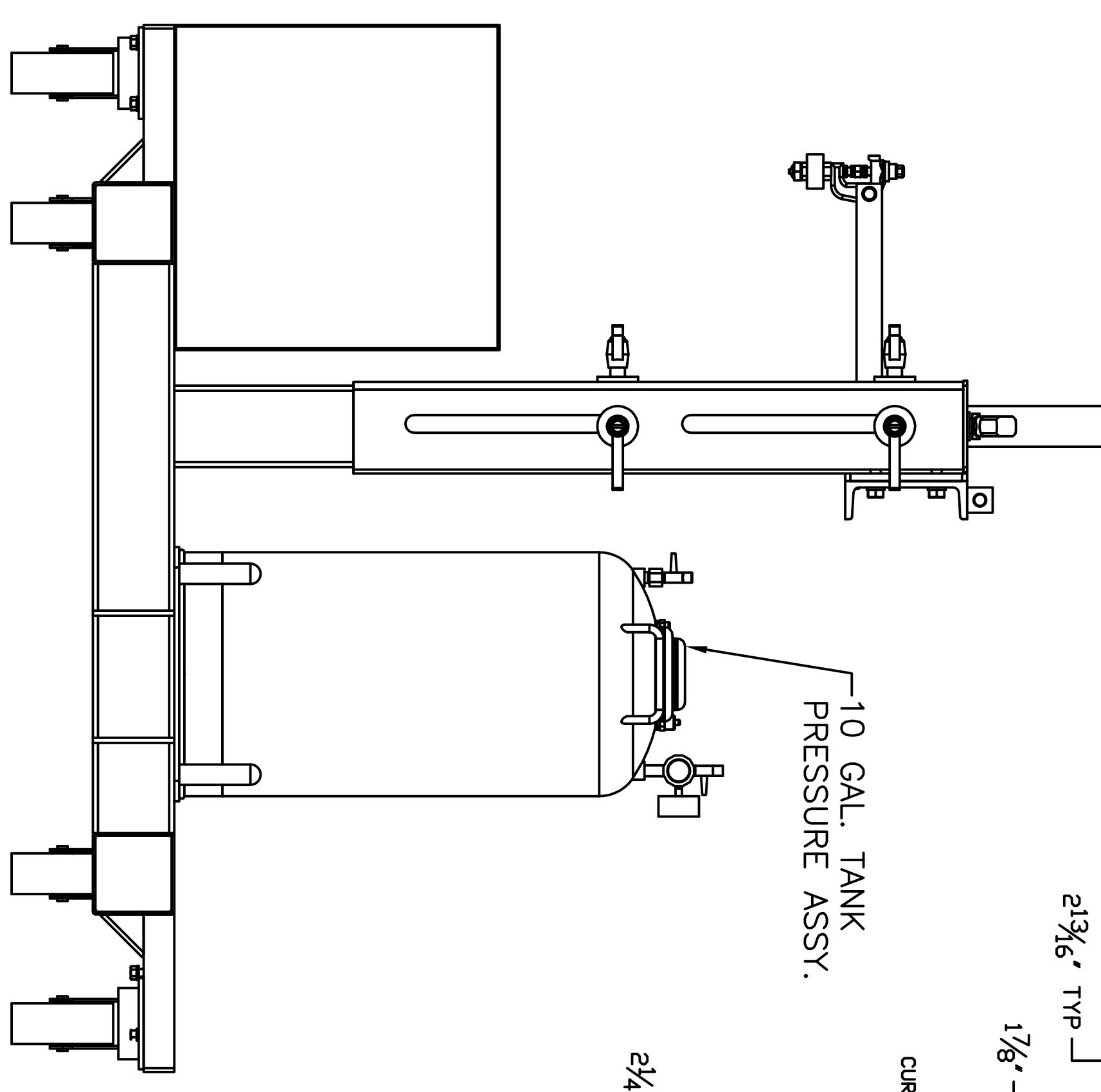
MODEL NUMBER TD-40-CA
 SERIAL NUMBER: 205080

GENERAL SPECIFICATIONS

- 10 GAL S/S PRESSURIZED OIL TANK AND PRESSURE GAUGES
- CANTILEVERED FRAME WITH VERTICAL ADJUSTMENT AND LOCKING HEIGHT
- 12 DISPENSING NOZZLES FOR OIL/AIR APPLICATION & POSITIVE SHUT-OFF
- ADJUSTABLE OIL QUANTITY DELIVERED FROM PRESSURE OIL TANK
- SPRAY CYCLE INITIATED BY SIGNAL FROM AUTOMATIC PAN SENSOR
- 10CFM MAX @ 80 PSI
- PLC CONTROLS
- 115V, SINGLE PHASE, 60HZ
- RIGHT HAND CONTROLS



10 GAL. TANK
 PRESSURE ASSY.



THE INFORMATION CONTAINED IN THIS DRAWING IS SOLE PROPERTY OF THE PEERLESS MACHINERY CORP. ANY REPRODUCTION IN PART OR WHOLE WITHOUT PERMISSION FROM THE PEERLESS MACHINERY CORP. IS PROHIBITED.



THE PEERLESS GROUP
 PEERLESS • WILLMAN'S BAKERY
 PEERLESS • FEDCO • GOODWAY • HOTAL

TOLERANCES UNLESS OTHERWISE SPECIFIED:
 DECIMAL .XX = ±.01 ANGLES ±1° FRACTIONAL 1/32
 BREAK ALL EDGES
 DIMENSIONS TO SPARE
 APPROVED BY: [Signature]

SCALE	TITLE	FILE NUMBER
1/6	CERTIFIED DATA SHEET	
DATE	DRAWING NUMBER	
6/17/05	CDS205080	

DATE	REV	REVISION (+ ADD, - REMOVE, ± WAS)	DCR NO	DRN	CHK