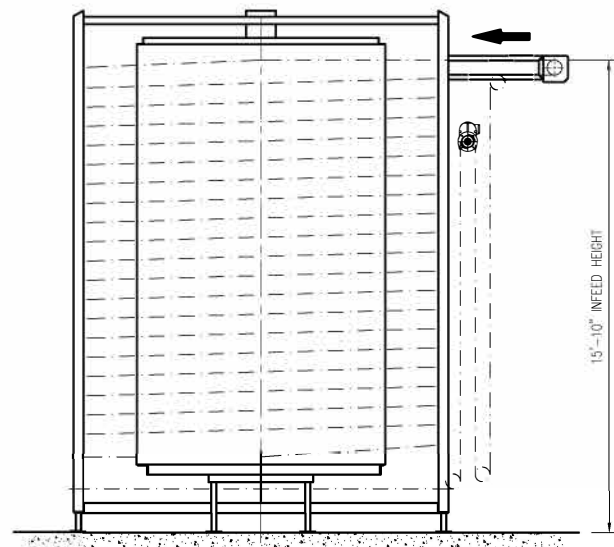
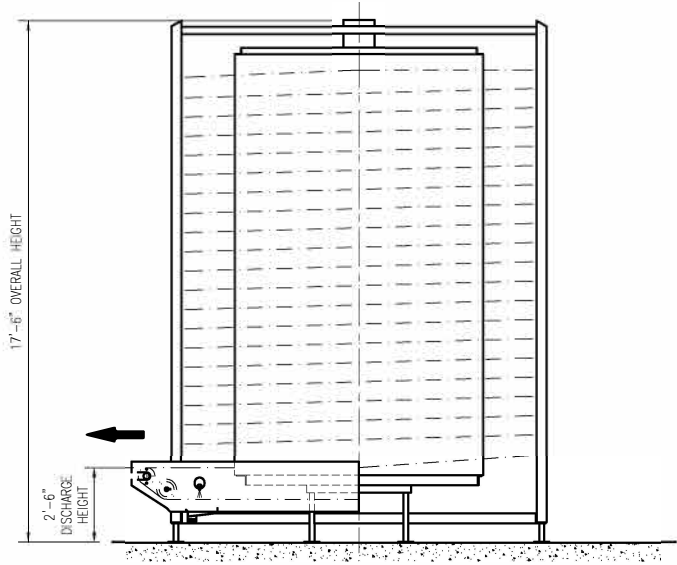
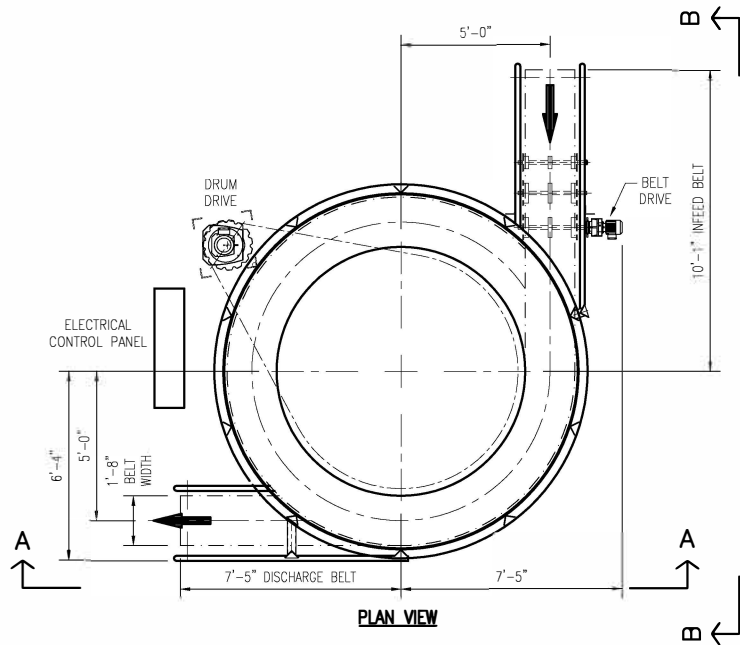


This drawing remains the property of Aerofreeze Incorporated. Representation in any manner without written consent is not allowed. This drawing may not be shown nor given to third parties. Do not reuse this drawing.



NO.	REV.	DESCRIPTION	DATE	SKD.	CHECK	APPR.

<b>AEROFREEZE</b> RICHMOND B.C. CANADA REDMOND WA. U.S.A.		DRAWN	CHECK	APPR.
		FL		
		DATE	SCALE	
		12SEP07	NTS	
DRAWING NO. S6176-01		REV.		

**AEROFREEZE Model 2025-20-190**  
Ambient Precooler Layout