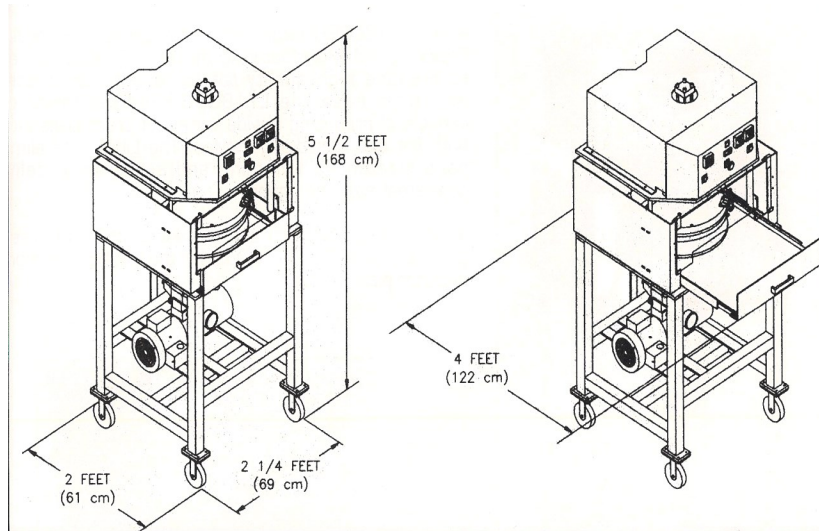




AM MANUFACTURING COMPANY

## LITTLE TORO HOT PRESS MODEL LT1800BH Pizza / Tortilla Press



### FEATURES

- One person operation
- All stainless-steel cabinet
- Fully adjustable upper and lower heat platens
- Fully adjustable pressing force
- Fully adjustable dwell time
- Three post design eliminates flexing
- Smooth rolling, locking casters allow portability to any work area
- Easy clean-up, no tools required
- Space saving and compact
- Temperature range from ambient to 450°F

### SPECIFICATIONS

- Length: 24" / 61cm
- Width: 27" / 68.6 cm
- Height: 66" / 167.6 cm
- Shipping Weight: 800 lbs./ 362.8 kg

### ELECTRICAL REQUIREMENTS

- UL-approved
- Standard machine: 208 or 240 volts /single phase / 60 hertz, 30 amps
- Six-foot line cord and plug provided
- Overseas voltages are available

### PIZZA CRUST DIES

- Pizza crust sizes from 5" to 16" diameter
- Circular, rectangular, square
- Raised edge (rim) or flat

### WORLD HEADQUARTERS

9200 Calumet Ave., Suite NW07  
Munster, IN (USA) 46321

[www.ammfg.com](http://www.ammfg.com)

Phone (219)472-7272  
Fax (219)472-7271