



Model DSM-1000 Donut Sugaring Machine

- *Gentle coating action
Continuous Production*
- *Use for powdered, granulated
or cinnamon sugar*
- *Recirculating sugar supply
reduces waste*
- *Stainless Steel Construction*
- *Portable for
easy clean-up*



The Moline Model DSM-1000 Sugar Coating Machine provides simple, easy-to-operate and dependable sugar coating of freshly fried cake and yeast raised donuts. Designed and built with the traditional Moline commitment to detail, reliability and value, its sturdy construction assures continuous 24-hours-a-day donut finishing all year long. Easy to operate controls and convenient hopper access for loading, combined with positive flow of product provide consistent coating for donuts of all sizes at rates up to 1,000 dozen per hour. A variety of sugar coatings such as granulated, powdered and cinnamon can be handled with ease.

The simple and easy operation reduces skill requirements and minimizes operator training costs. Sugar is loaded into the feed bin, loosened automatically by the rotating agitator and fed via conveyor screw to an elevator belt system. The elevator

carries the sugar to the top of the drum where it is dropped through a perforated, rotating inner drum and onto the product flow. The donuts move through the sugar zone in a gentle turning, tumbling motion to the discharge opening. The speed of the sugar feed is easily adjustable to control the amount of coating on the donut. Loose sugar is continuously agitated and carried through the machine and the unused amount is automatically recaptured and returned to the sugar hopper.

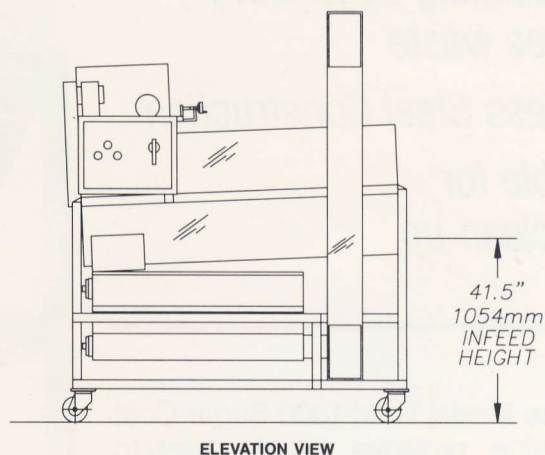
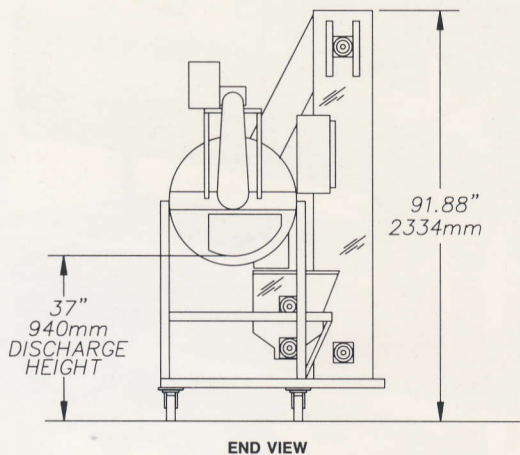
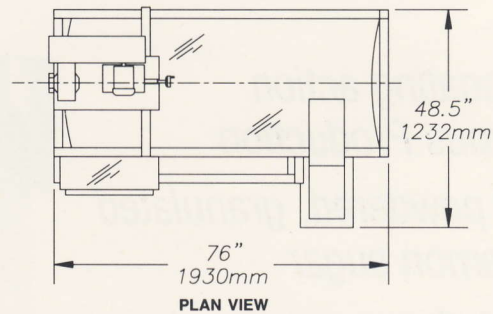
The **MOLINE** Company
A Division of The Pillsbury Company
Bakery Equipment Specialists

P.O. Box 16308 • Duluth, Minnesota 55816-0308, U.S.A.
Phone (218) 624-5734 TELEX: 9102409329 PILLS IN06 UQ
FAX (218) 628-3853



Model DSM-1000 Donut Sugaring Machine

Model DSM 1000
Sugaring Machine
(Left Hand Shown)



SAFETY FEATURES

- Interlocked Cover on Sugar Hopper - When Lid is Lifted, Screw Conveyor and Agitator Stop
- Mechanical Overload Protection on Drives

SANITATION FEATURES

- Stainless Steel Drum Cover is Removable - Permits Easy Clean-out of Inner Drum.
- Access Panels on Elevator Assembly for Easy Cleanout.

SPECIFICATIONS

- Production Capacity Range up to 1000 Doz./Hr.
- Right or Left Hand Models Available to match system configuration.

- All Stainless Steel or FDA Approved Construction Materials.
- Variable Speed Drum and Sugar Feed Drives.
- Stainless Steel Control Console
- Sugar Hopper Capacity: 225 lbs. (Powdered Sugar)
- Shipping Weight: 3500 lbs. (1587 kg.)
- Volume: 435 cu. ft. (12.3 cu. m.)

ELECTRICAL

- 240/480 Volt, 60 Hz, 3 Phase (Standard)
Special Voltage Requirements available
- (1) 1 H.P. Motor (Variable Speed) - Sugar Feed Drive
- (1) 1 H.P. Motor (Variable Speed) - Drum Drive

Due to the Moline policy of continuous product improvement, specifications are subject to change without notice.

The **MOLINE** Company

A Division of The Pillsbury Company

Bakery Equipment Specialists

P.O. Box 16308 • Duluth, Minnesota 55816-0308, U.S.A.

Phone (218) 624-5734 TELEX: 9102409329 PILLS IN06 UQ

FAX (218) 628-3853