

COOKIE DEPOSITOR **EURODROP COOKIE 660 BA**

Features

- ◆ Exclusive wire-cut design
- ◆ Ideal for a wide variety of American style cookies
- ◆ Can produce cookie sizes from 0.5 oz - 5.3 oz (10g - 150g)
- ◆ User-friendly 7" touch screen control panel
- ◆ Storage of up to 200 programs
- ◆ Motorized wire cutting with speed control
- ◆ Variable speed dosing motor
- ◆ Bi-directional advancement of the trays allows you to feed trays from the front or back
- ◆ Adjustable anti-dropping device for cleaner deposits
- ◆ Automatic starting controls
- ◆ Easy to clean quickly and thoroughly
- ◆ Product Output ranging from 175 to 225 lbs/hr

Options & Accessories

- ◆ Wide range of nozzles, moulds and dies available

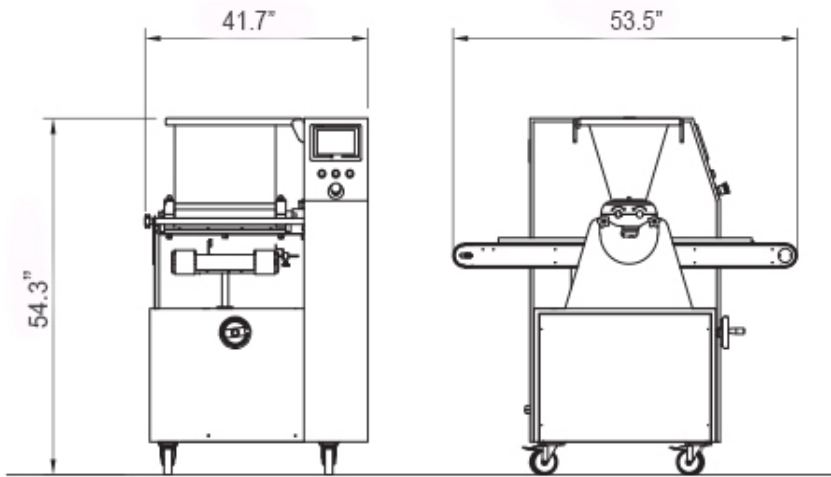


The Ultimate Wire Cutting Depositor

The new *EURODROP Cookie Depositor* is designed to be the most versatile wire-cutting and dropping machine available today. The touch screen control panel is intuitive, functional and easy to use. With a large variety of molds and dies available, the *EURODROP Cookie Depositor* is extremely flexible, making it ideal for a wide range of shapes, sizes and inclusions. The *EURODROP* features our exclusive *Big American Head* which allows for larger style cookie favorites like chocolate chip, oatmeal, Snickerdoodles and so many more! Its combination of cutting-edge technology and superior design will not only save you significant time and money but also let you create endless cookie possibilities.

Technical Data

COOKIE DEPOSITOR EURODROP COOKIE 660 BA



SPECIFICATIONS

Hopper Capacity (Liters)	43
Weight (Lbs.)	627
Power	220V / 1Ph / 8A

The Touch Screen Control Panel is intuitive, functional & very easy to use.



Standard hard dough dosing head.
A wide array of dies and moulds allows for an almost unlimited range of shapes and sizes.



LIMITED WARRANTY

This product is warranted to the original purchaser to be free from material and workmanship defects. This warranty extends for a period of one (1) year from the date of purchase on parts and labor and 90 days on electrical components. For additional information or if you have any questions, please do not hesitate to contact us toll free at 1-800-878-4070.

Please note, specifications are subject to change without notice as we continually work to improve our equipment.



1C Enterprise Place, Hicksville, NY 11801-5356 ♦ Ph: (516) 681-1500 ♦ Fx: (516) 681-1510
1-800-878-4070 ♦ www.empirebake.com ♦ info@empirebake.com