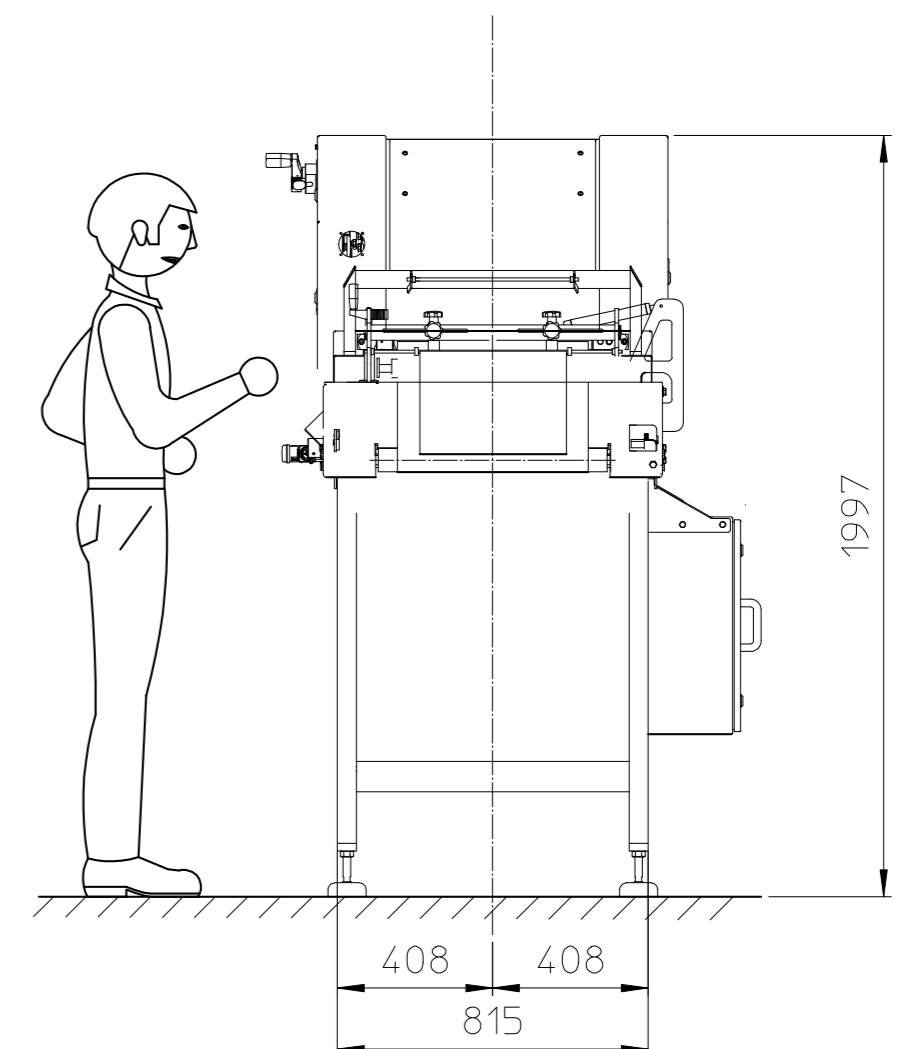
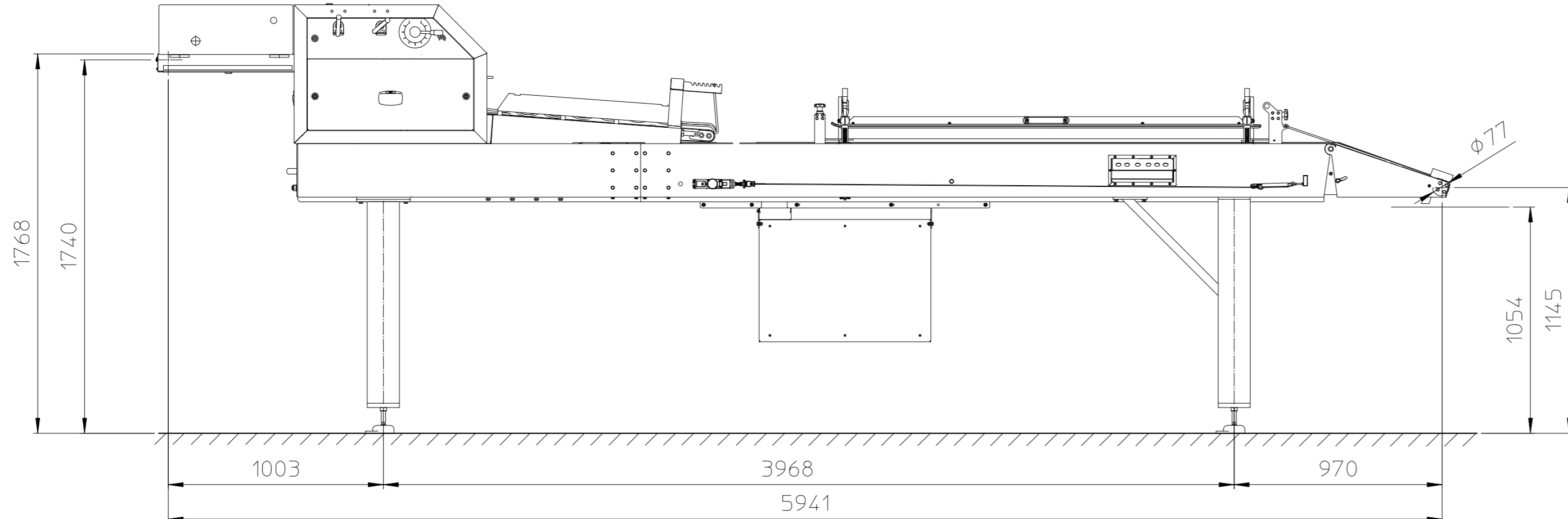
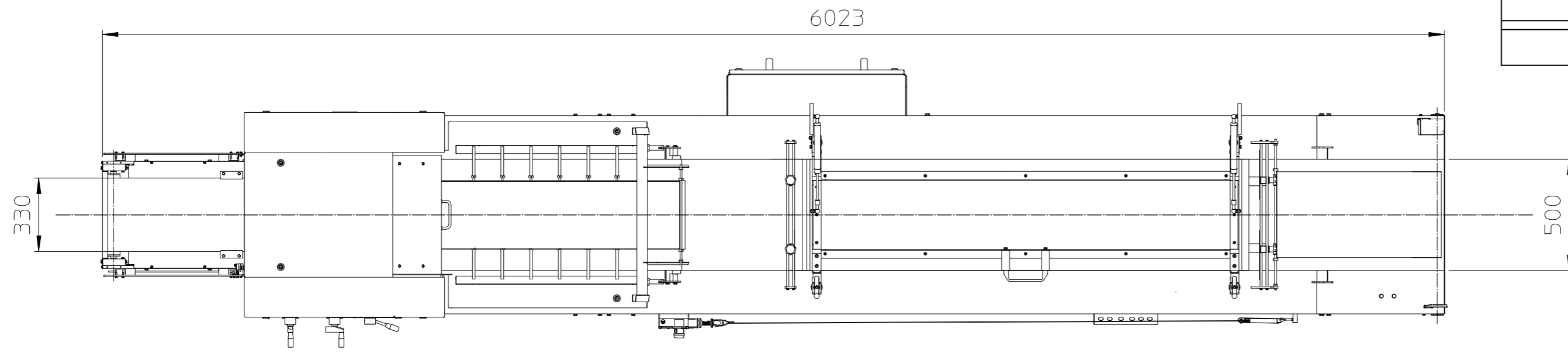



Pos.	Description	Machinenumber
5	MOULDER BM-500	801523



FOR APPROVAL BENIER NEDERLAND B.V.		FOR APPROVAL CUSTOMER	
SIGNATURE:	DATE:	DATE:	DATE:

 <small>This patent, and all data contained therein, are exclusive property of BENIER NEDERLAND B.V. Issued in strict confidence and not to be reproduced, copied or used for any purpose whatsoever without written permission of BENIER NEDERLAND B.V.</small>	DIMENSIONS IN MM AM. PROJ.	DERIVATED FROM:	REFERENCE: 70142-
	DRAWN BY: C. Mee CHECKED BY:	DATE: 2017-12-06 DATE:	DESCRIPTION: Smuckers test moulder
SCALE: 1:20	A2	CODE: 99306304	REV.: 00