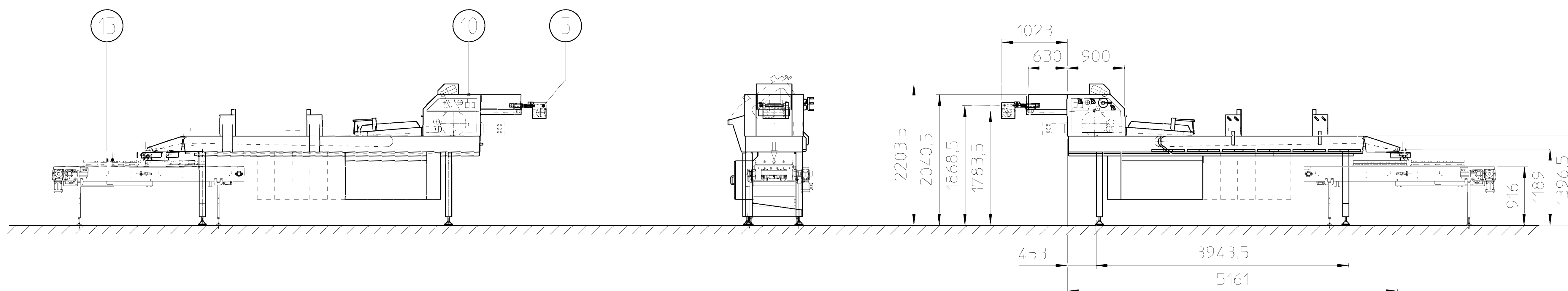
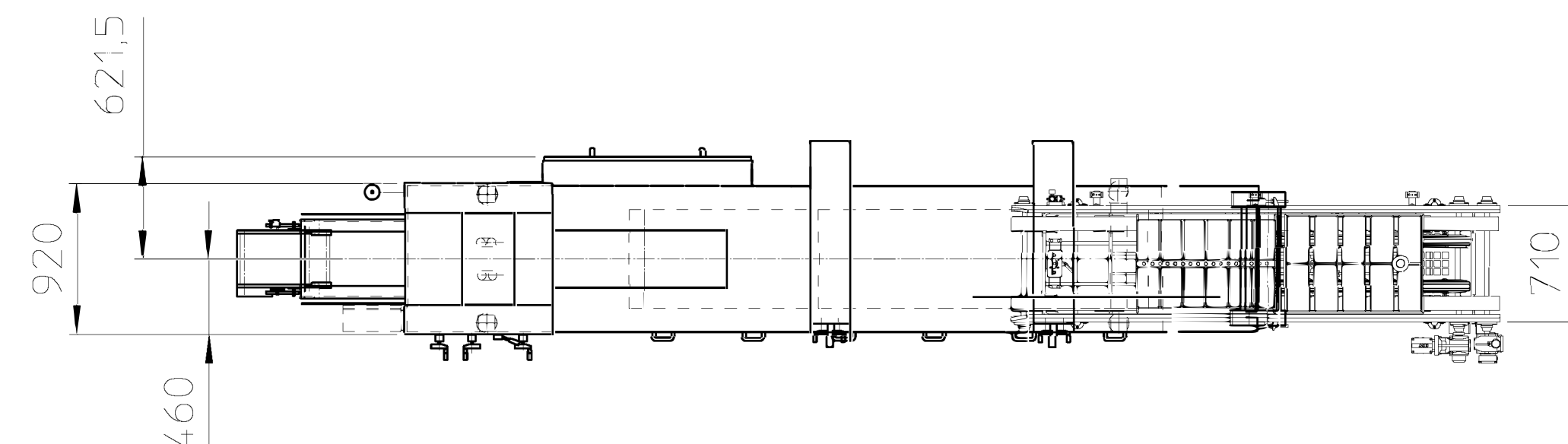


Pos.	Description	Machine number
5	PITCH CORRECTION CONVEYOR	801610
10	MOULDER BM-600	801522
15	STRAP CONVEYOR	CUSTOMER



FOR APPROVAL BENER NEDERLAND B.V.		FOR APPROVAL CUSTOMER	
SIGNATURE:	DATE:	DATE:	DATE:

	DIMENSIONS IN MM	DERIVED FROM:	REFERENCE: (18-0168)
	DRAWN BY: J. Bal CHECKED BY:	DATE: 2018-11-13 DATE:	DESCRIPTION: Layout moulder BM00
SCALE: 1:50	A2	CODE: 99306481	REV.: 00