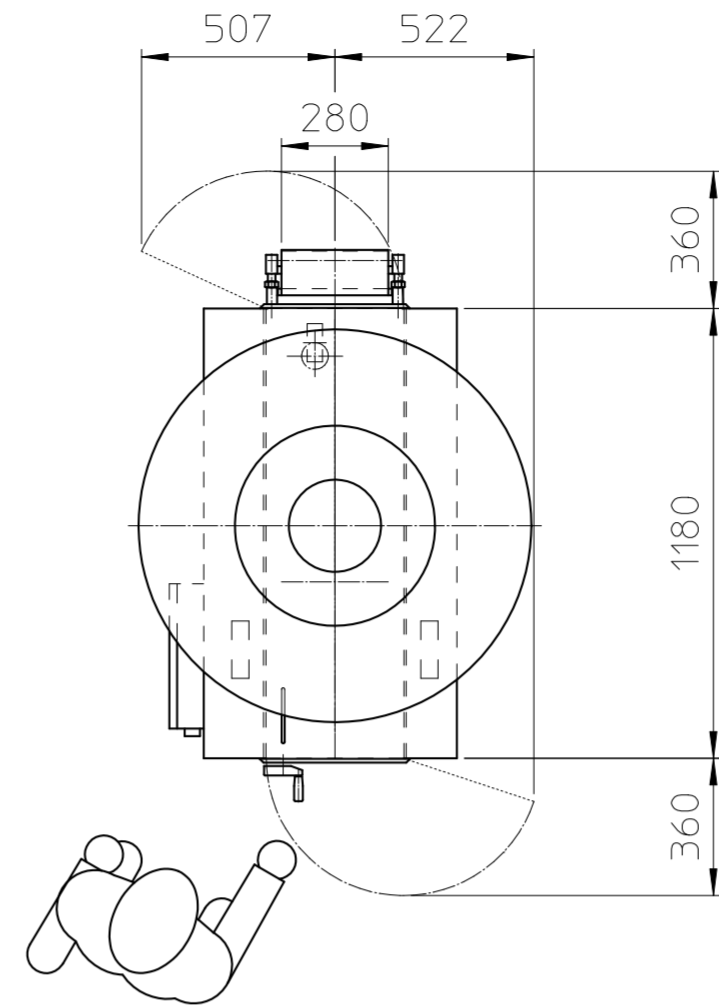
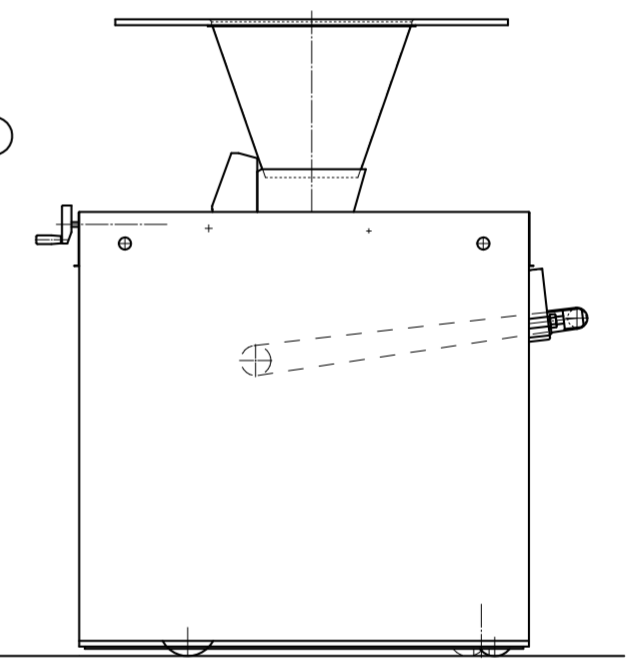
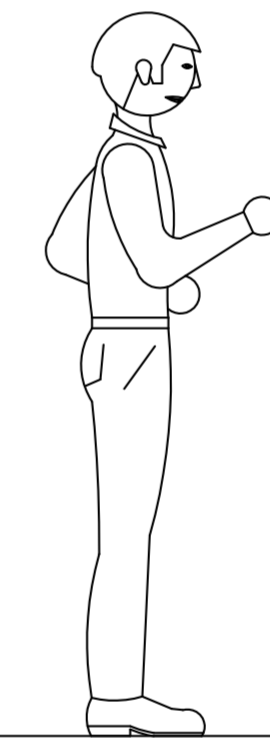
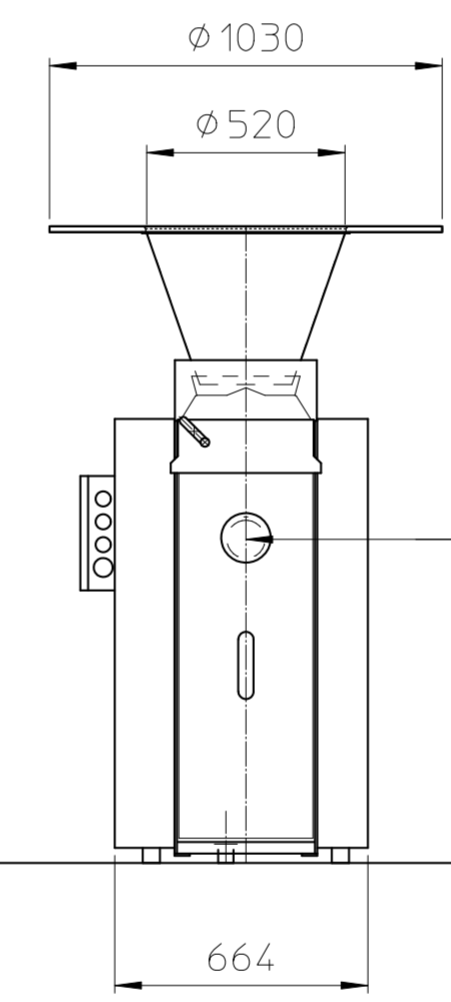
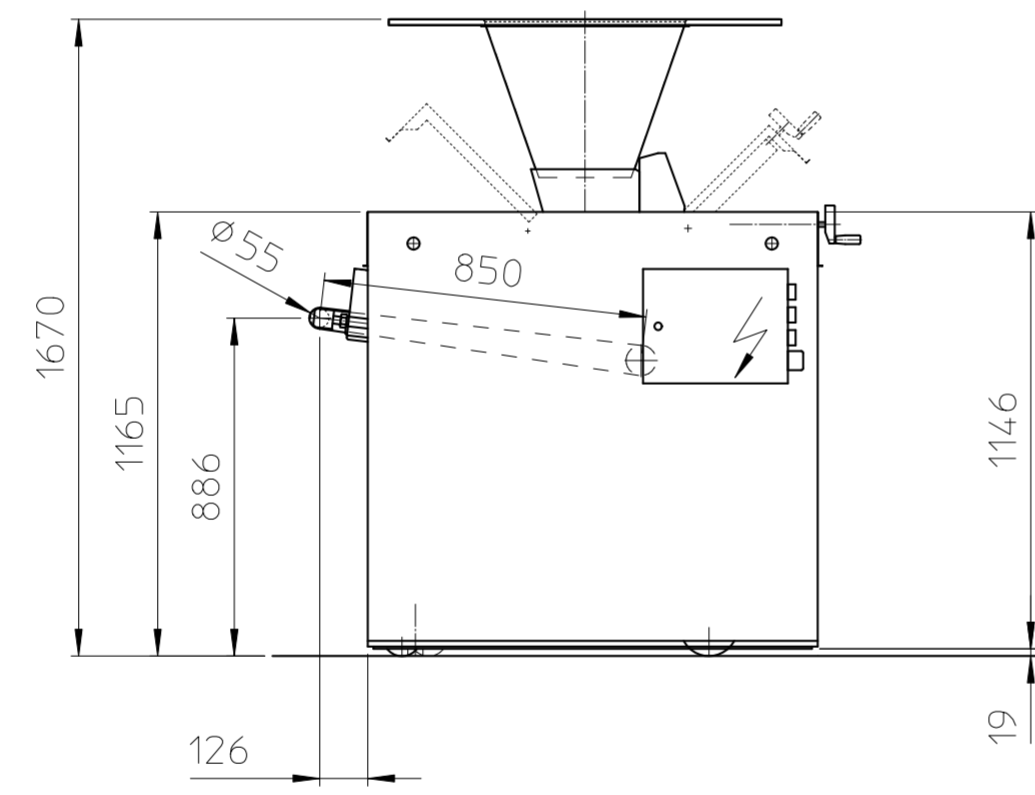
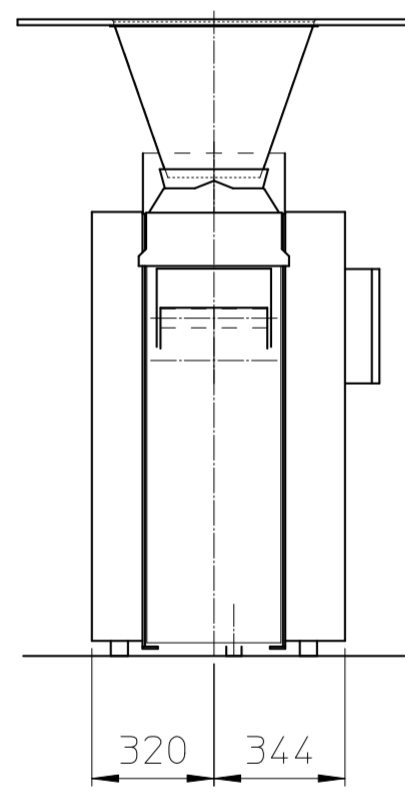


Rev	Changes	Date
eco		
01	Breedte +24mm	2006-11-29
F. Lee		
02	Modified operator panel	2007-01-29
B. Boo		
03	delete lengthened conv.	2018-08-22
M. Hem		



⚡ 3N ~ 400V - 50Hz + ⊕
 ⚡ P = 1kW



FOR APPROVAL BENIER NEDERLAND B.V.		FOR APPROVAL CUSTOMER	
SIGNATURE:	DATE:	DATE:	DATE:
DIMENSIONS IN MM		DERIVATED FROM:	REFERENCE:
This patent, and all data contained therein, are exclusive property of BENIER NEDERLAND B.V. Issued in strict confidence and not to be reproduced, copied or used for any purpose whatsoever without written permission of BENIER NEDERLAND B.V.	DRAWN BY: M.Hem	DATE: 2018-08-22	
	CHECKED BY:	DATE:	DESCRIPTION: DOUGH ASSIST BASIC
SCALE: 1:20	A2	CODE: 99305013	REV.: 03