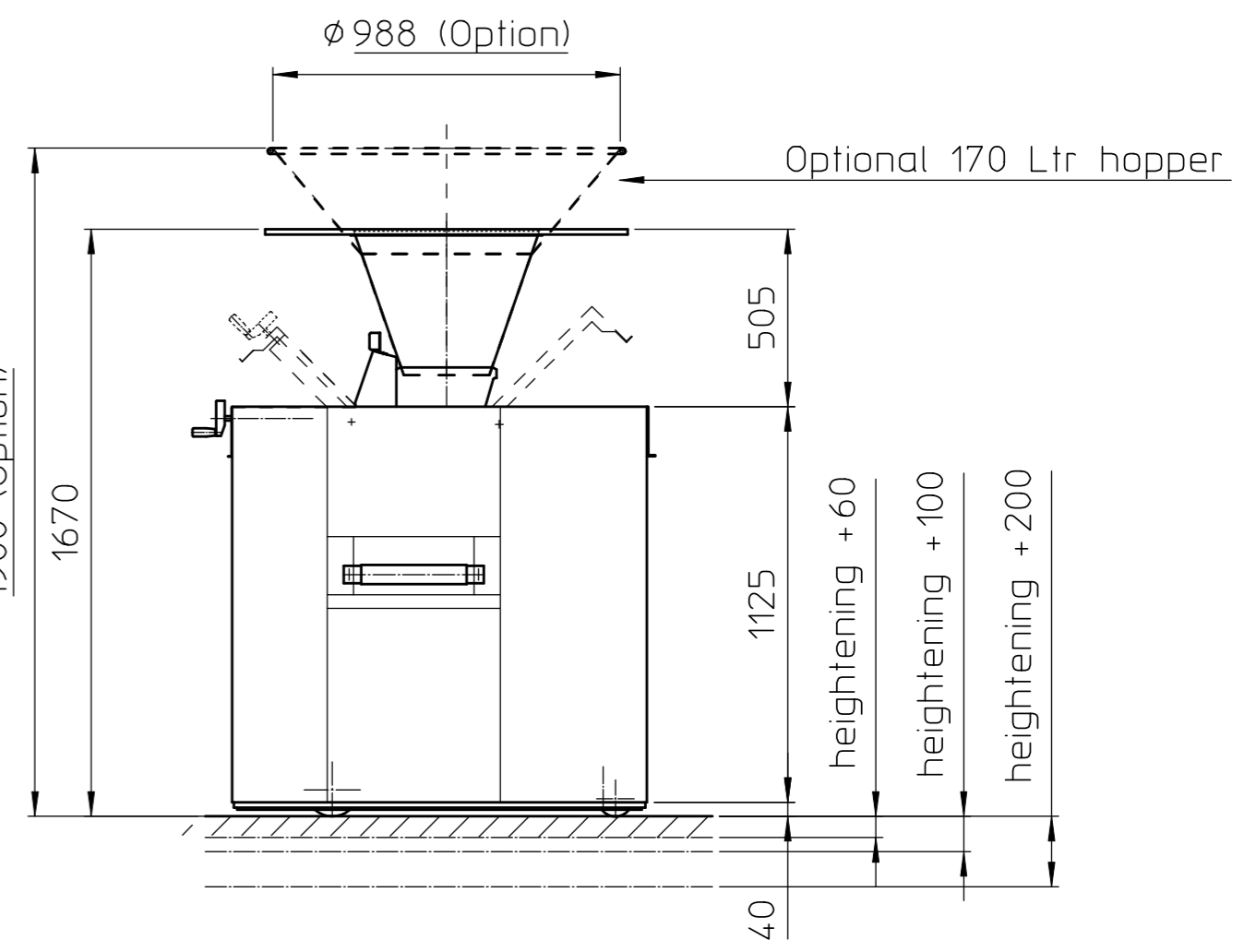
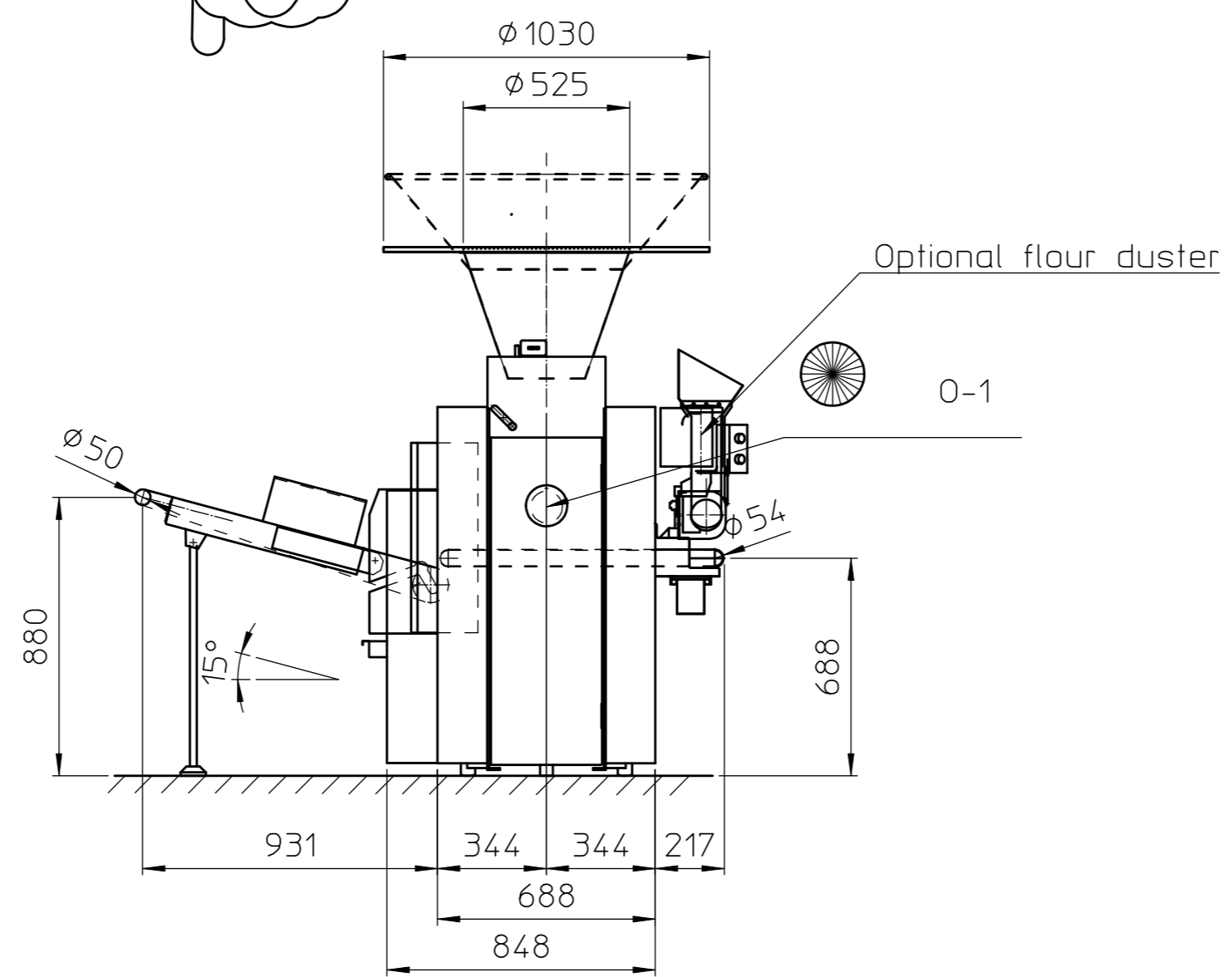
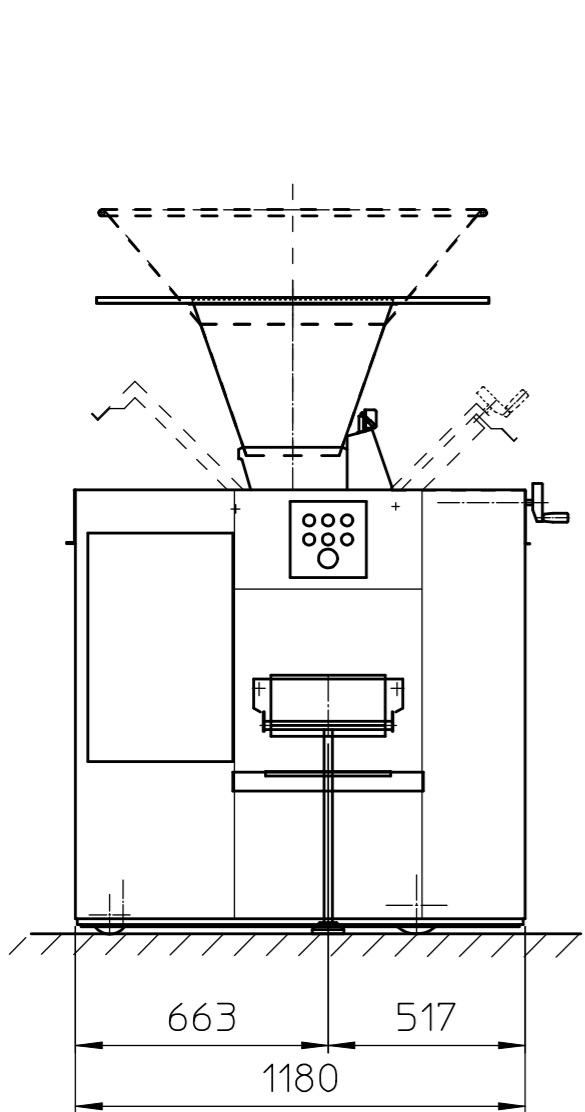
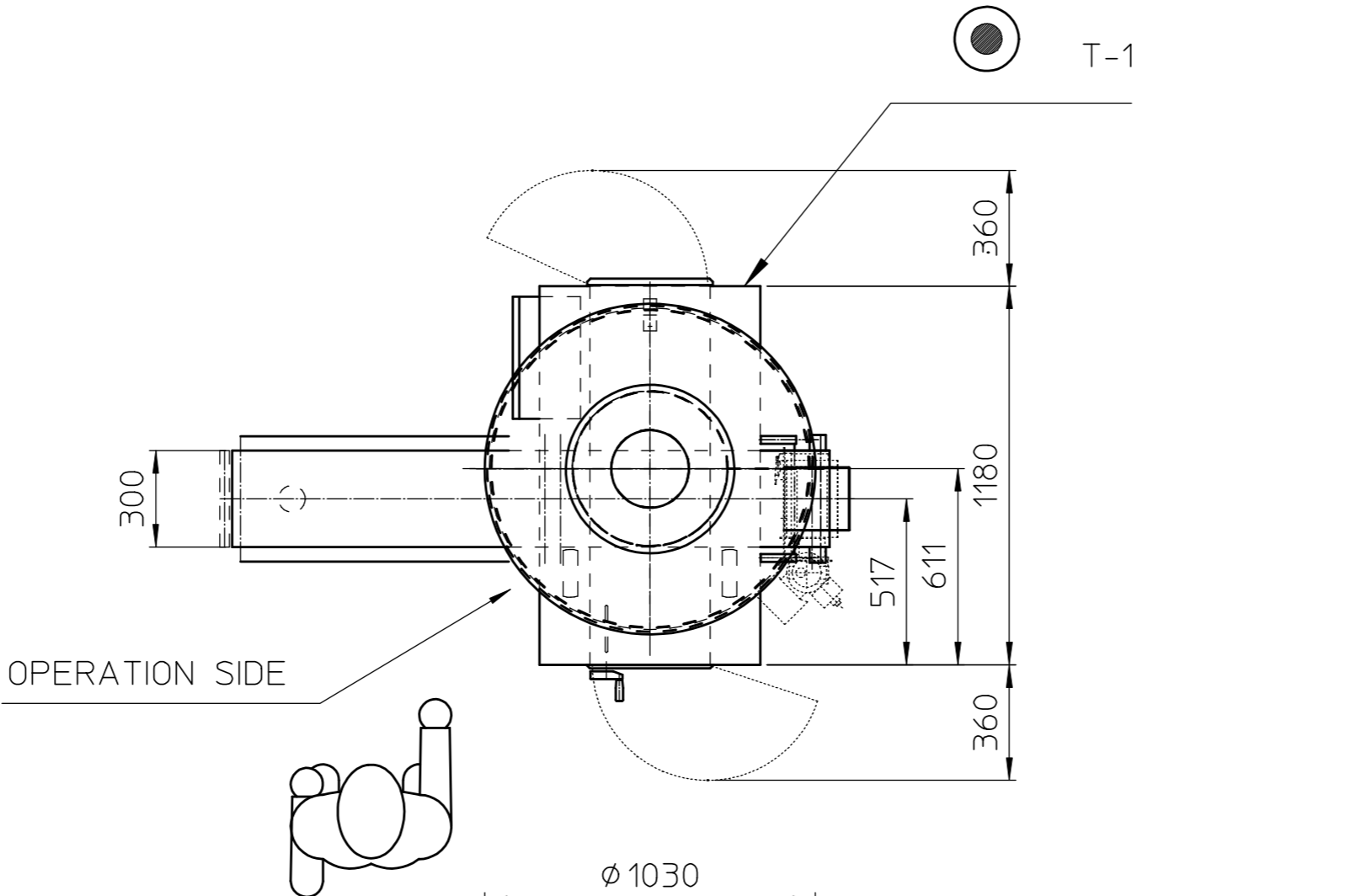


Rev	Changes	Date
eco		
01	170 ltr hopper	2011
H. Goo		04-20



Pos.	Description	Machinenumber
5	DIVIDER DOUGH ASSIST MAJOR BASIC	801221

ELECTRICAL DATA	
CURRENT:	3N ~ 400V - 50Hz - EARTH
CONTROLLING CURRENT:	230V AC - 24V DC
CONNECTED LOAD TO:	POS. 5 DIVIDER DOUGH ASSIST MAJOR BASIC 2 kW

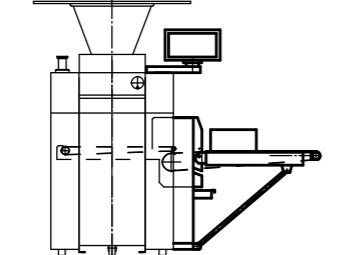
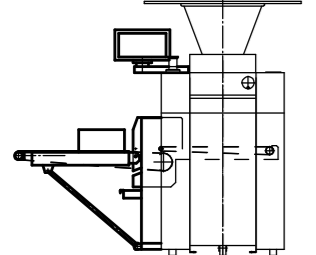
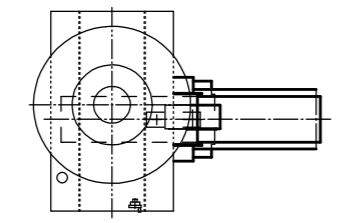
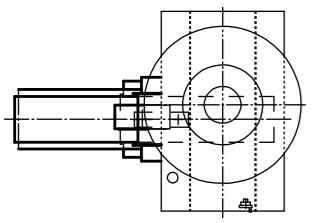
COMPRESSED AIR	
WORKING PRESSURE:	6 BAR
CONSUMPTION IN NORMAL AIR (1 BAR/20°C)	USAGE 0,5 NM3/HR.
T-1 POS. 5 DIVIDER DAM-B	

MANUAL OIL SUPPLY	
O-1 POS. 5 DIVIDER DAM-B	USAGE 0,25 CC/STROKE

FOR APPROVAL BENIER NEDERLAND B.V.		FOR APPROVAL CUSTOMER	
SIGNATURE:	DATE:	DATE:	DATE:

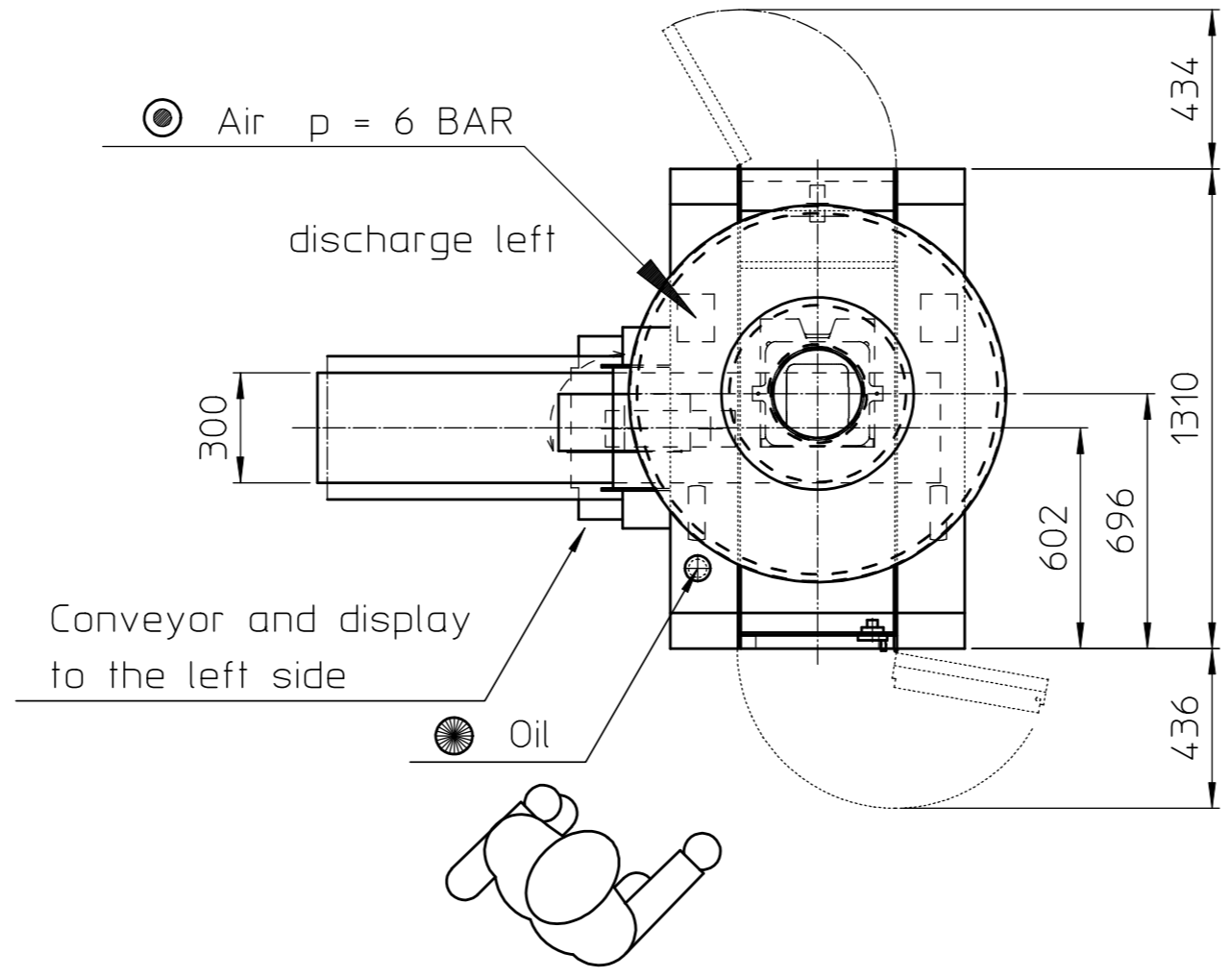
	DIMENSIONS IN MM	DERIVATED FROM:	REFERENCE:
	DRAWN BY: C. Mee CHECKED BY:	DATE: 2009-04-08 DATE:	DESCRIPTION: DAM BASIC CODE: 99302914 REV.: 01
SCALE: 1:20	A2		

Rev	Changes	Date
eco		
01	+ 200 Ltr Hoppe	2008-06-18
B. Boor		
02	Changed enlarged hopper	2011-04-20
fl. Goo		

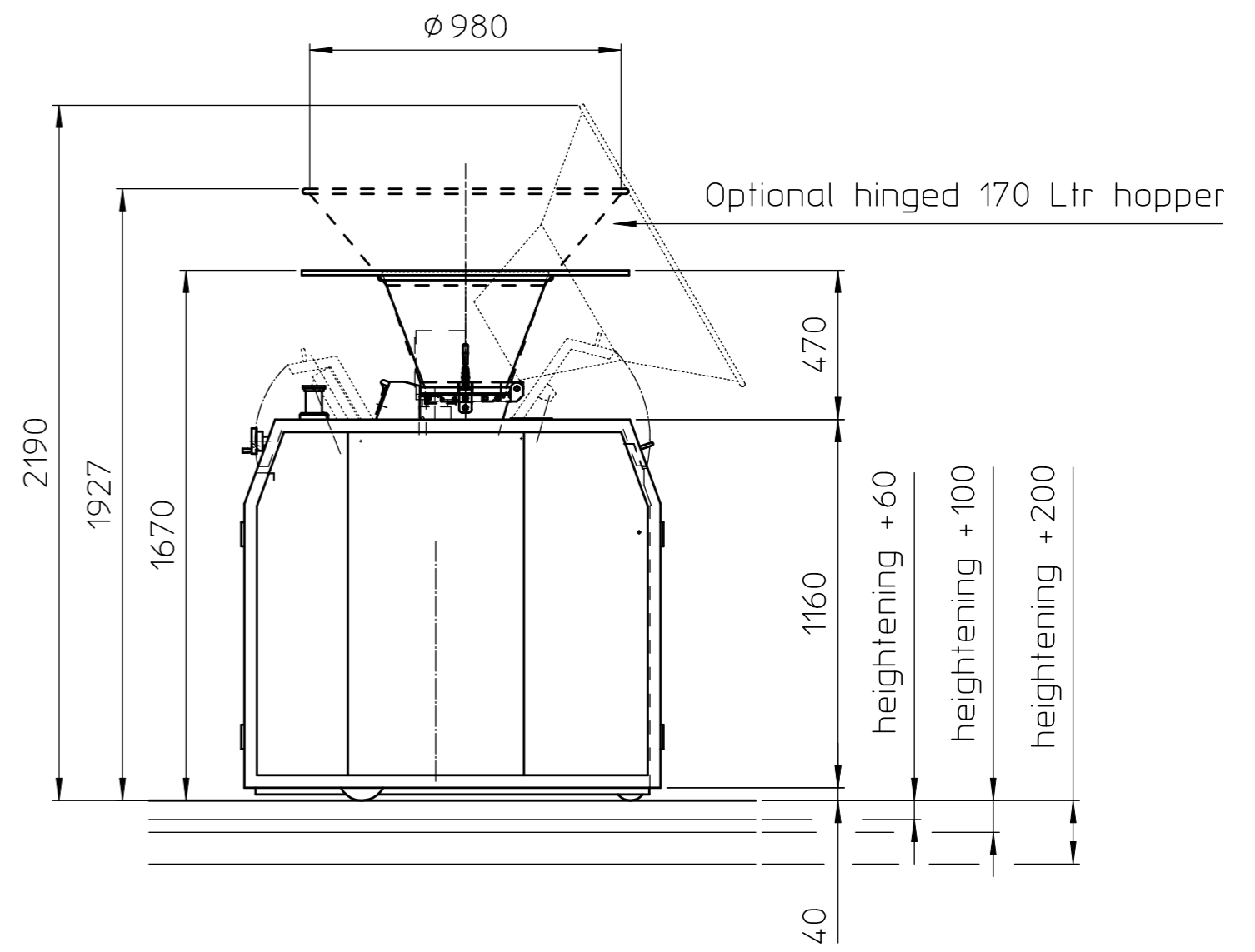
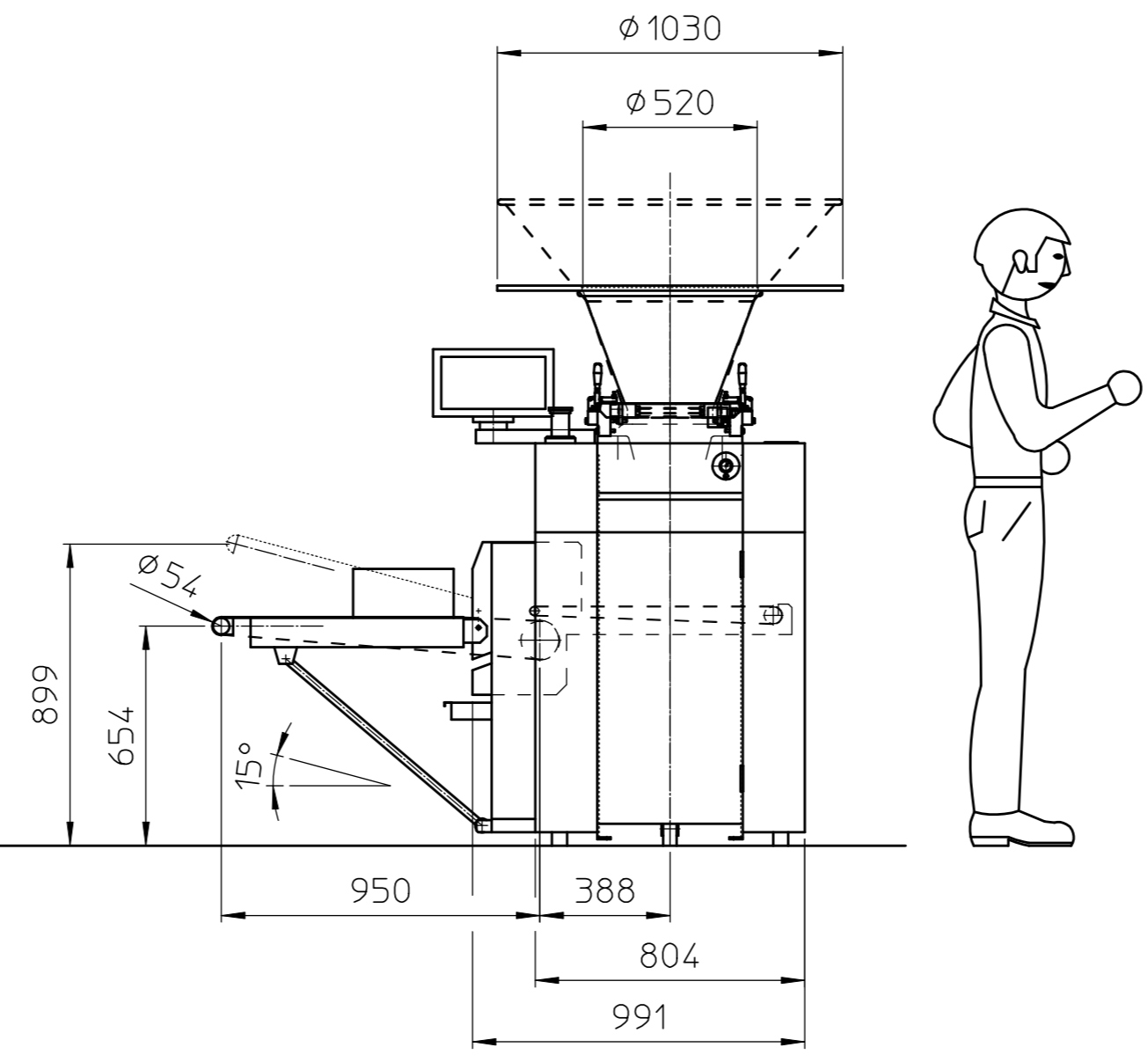
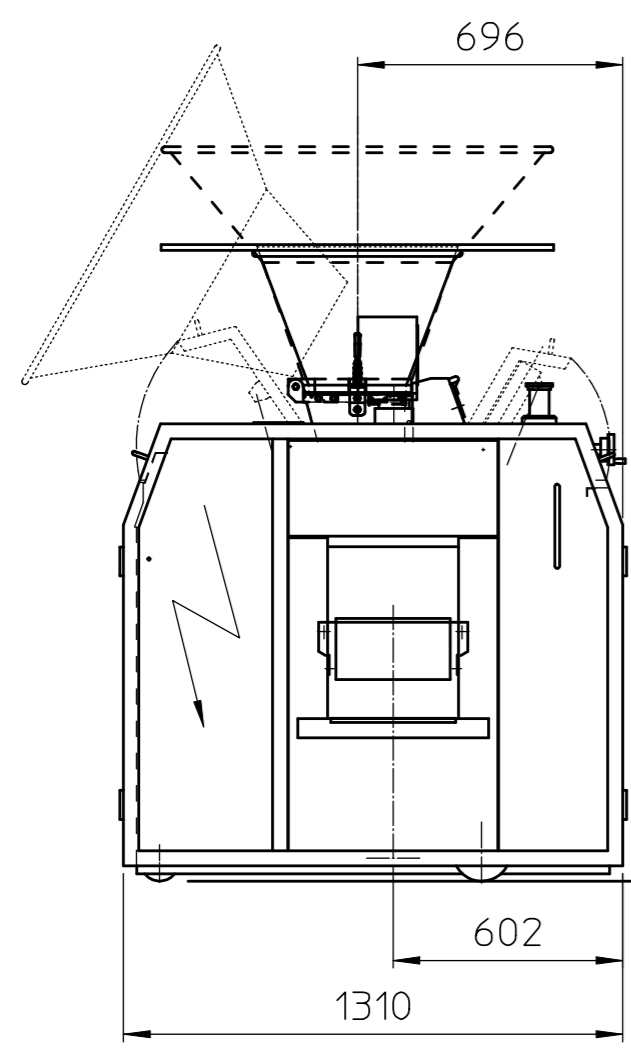


discharge left

discharge right

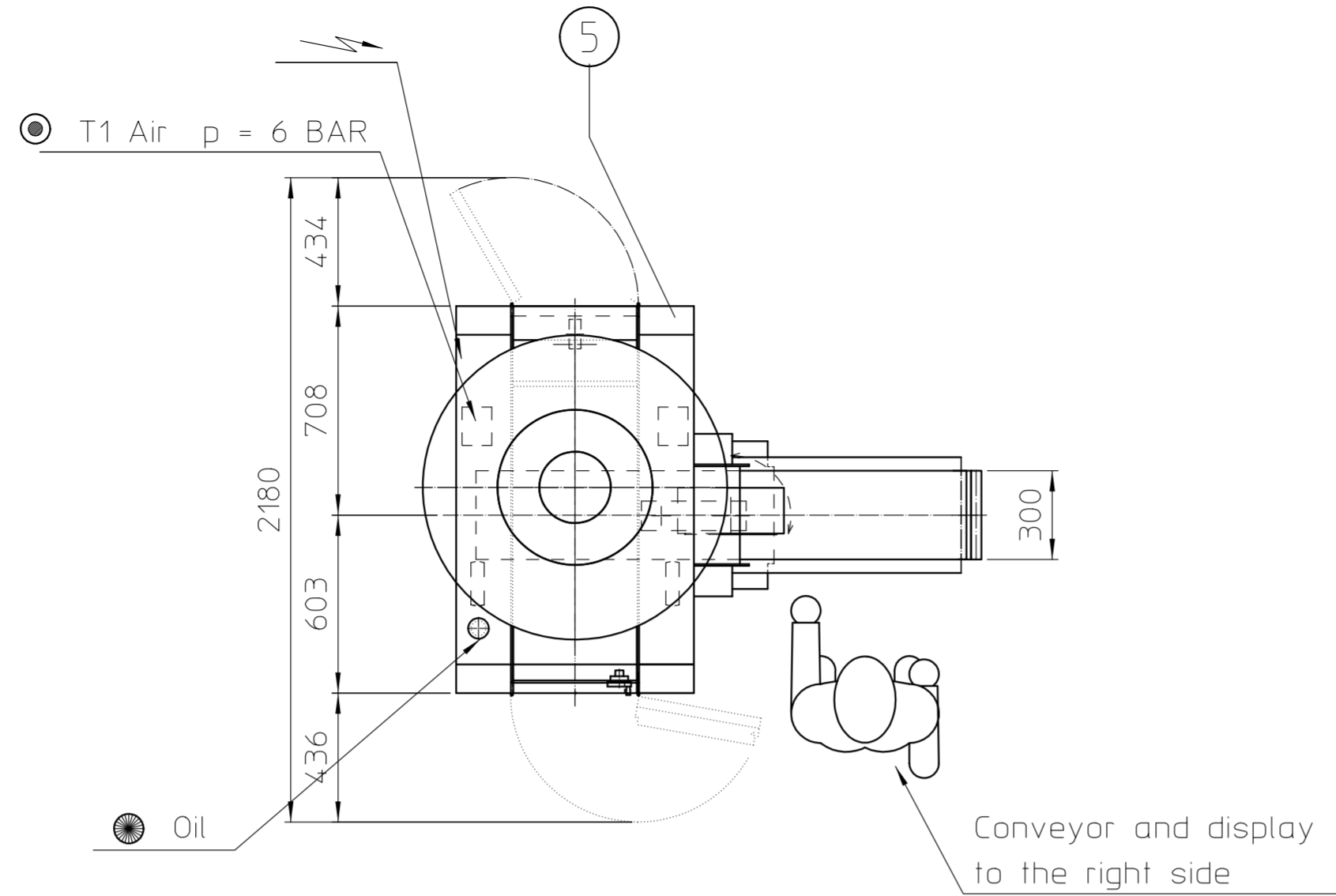


⚡ 3N ~ 400V - 50Hz + ⊕
 ⚡ P = 3kW



FOR APPROVAL BENIER NEDERLAND B.V.		FOR APPROVAL CUSTOMER	
SIGNATURE:	DATE:	DATE:	DATE:

AM. PROJ.	DIMENSIONS IN MM	DERIVATED FROM: 99301620	REFERENCE:
<p>The patent, and all data contained therein, are exclusive property of BENIER NEDERLAND B.V. issued in strict confidence and not be reproduced, copied or used for any purpose whatsoever without written permission of BENIER NEDERLAND B.V.</p>	DRAWN BY: F. Lee	DATE: 2006-06-12	DESCRIPTION: Dough Assist Major
	CHECKED BY:	DATE:	CODE: 99305010
SCALE: 1:20	A2	REV.: 02	



Pos.	Description	Machinenumber
5	DIVIDER DOUGH ASSIST MAJOR BD24	801228

ELECTRICAL DATA

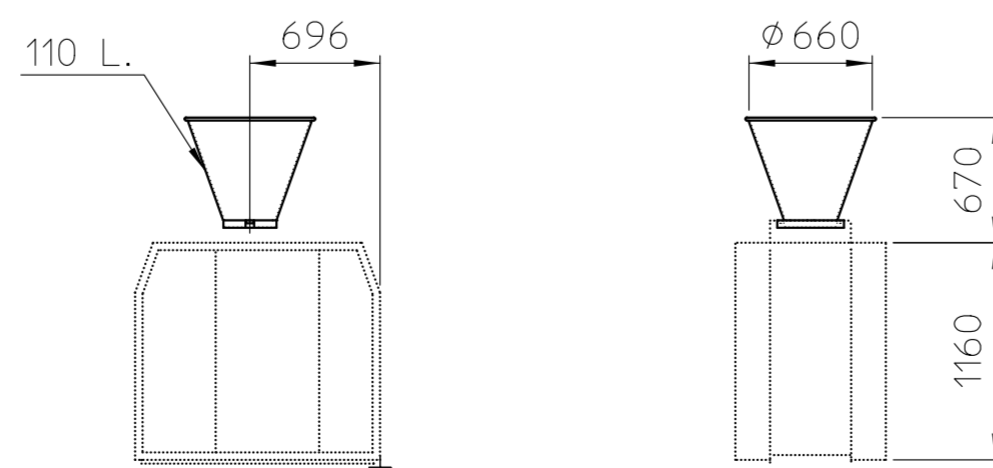
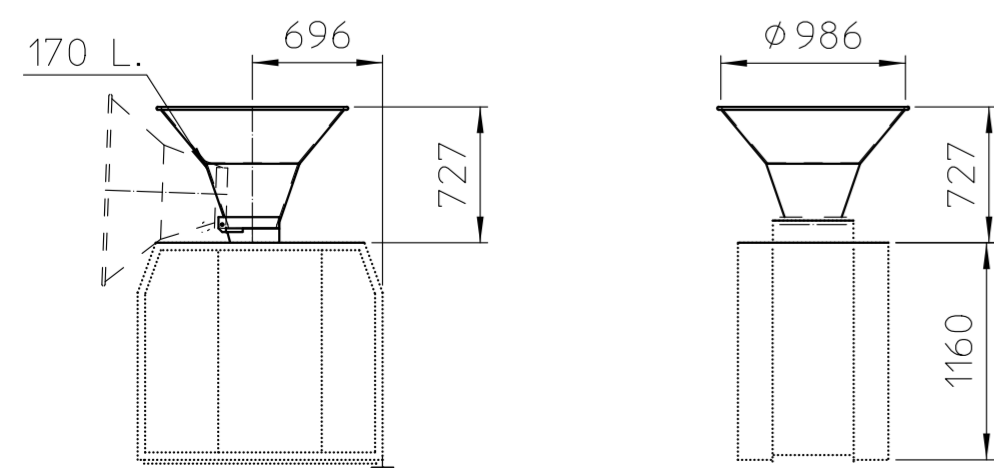
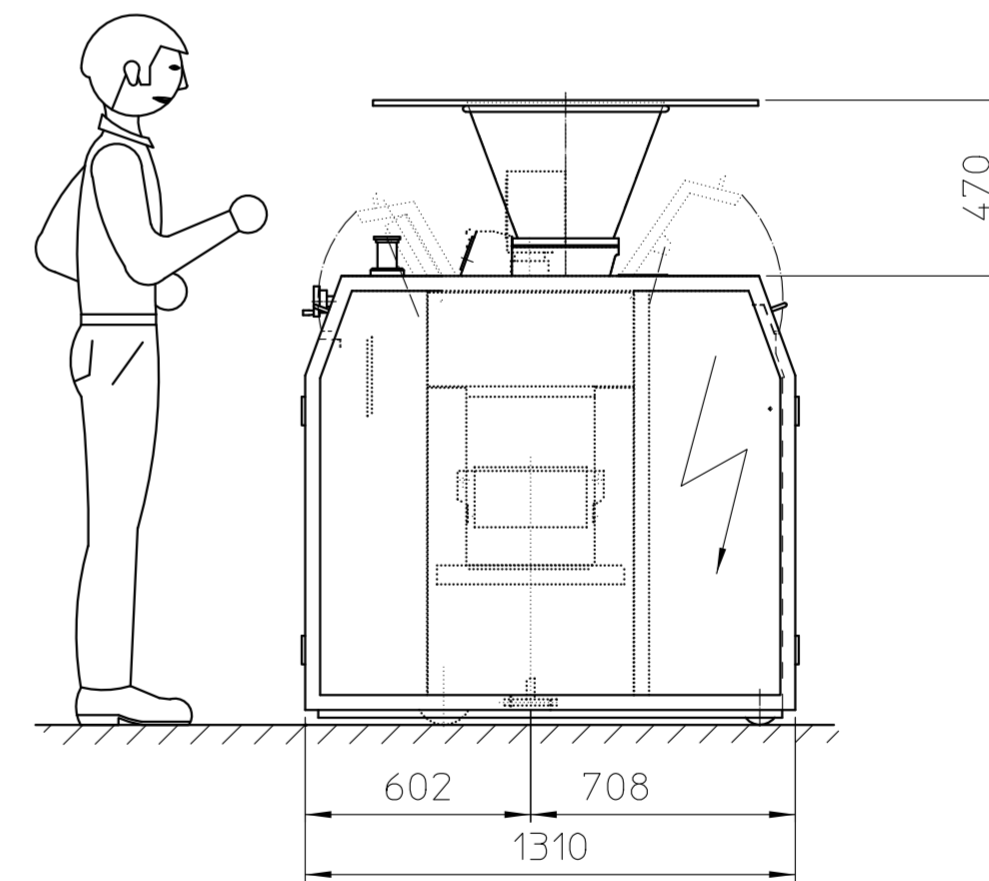
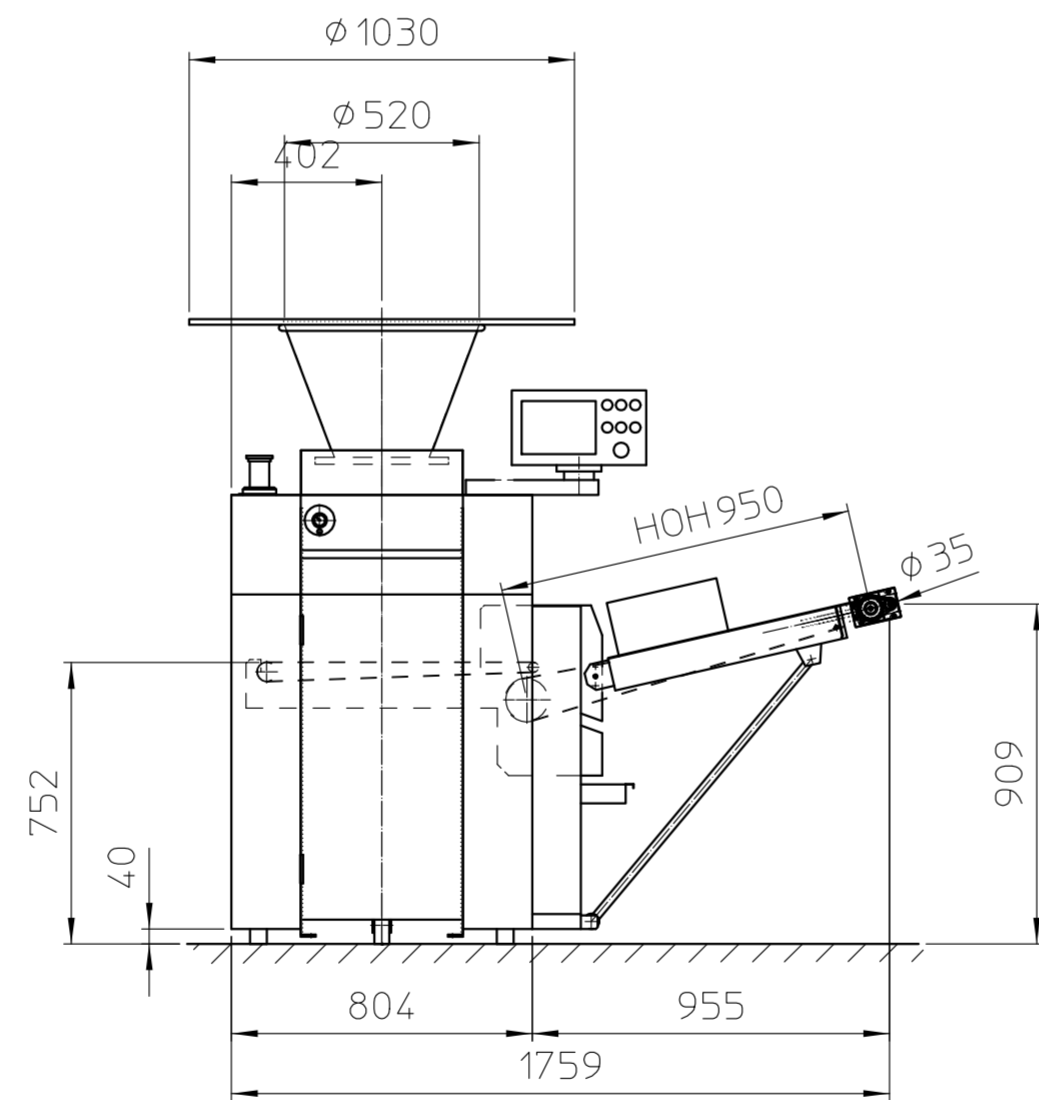
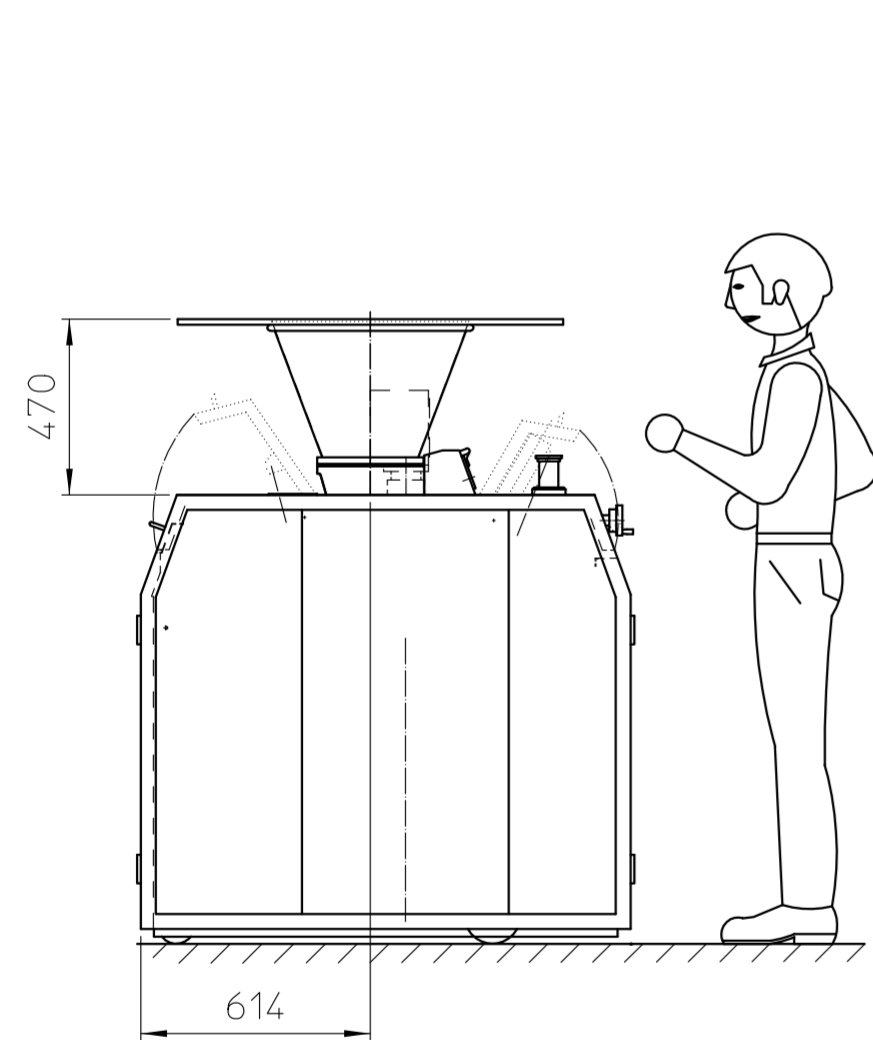
CURRENT: 3 ~ 400V - 50Hz - EARTH - NEUTRAL (60HZ possible)	
CONTROLLING CURRENT: 230V AC - 24V DC	
CONNECTED LOAD TO:	
POS. 5 DIVIDER DOUGH ASSIST MAJOR BD24	2 kW

COMPRESSED AIR

WORKING PRESSURE: 6 BAR	
CONSUMPTION IN NORMAL AIR (1 BAR/20°C)	USAGE (incl. DPR)
T-1 POS. 5 DIVIDER DOUGH ASSIST MAJOR BD24	34 NM ³ /HR.

MANUAL OIL SUPPLY

	MAX USAGE/1500 STR (excl. oil separation)
0-1 POS. 5 DIVIDER DOUGH ASSIST MAJOR BD24	0,8 Liter/hour



FOR APPROVAL BENIER NEDERLAND B.V.		FOR APPROVAL CUSTOMER	
SIGNATURE:	DATE:	DATE:	DATE:

AM. PROJ.	DIMENSIONS IN MM	DERIVATED FROM:	REFERENCE: 12-0249
	DRAWN BY: C. Mee	DATE: 2013-03-01	DESCRIPTION: Dough Assist Major BD 24
	CHECKED BY:	DATE:	
SCALE: 1:20	A2	CODE: 99303578	REV.: 03