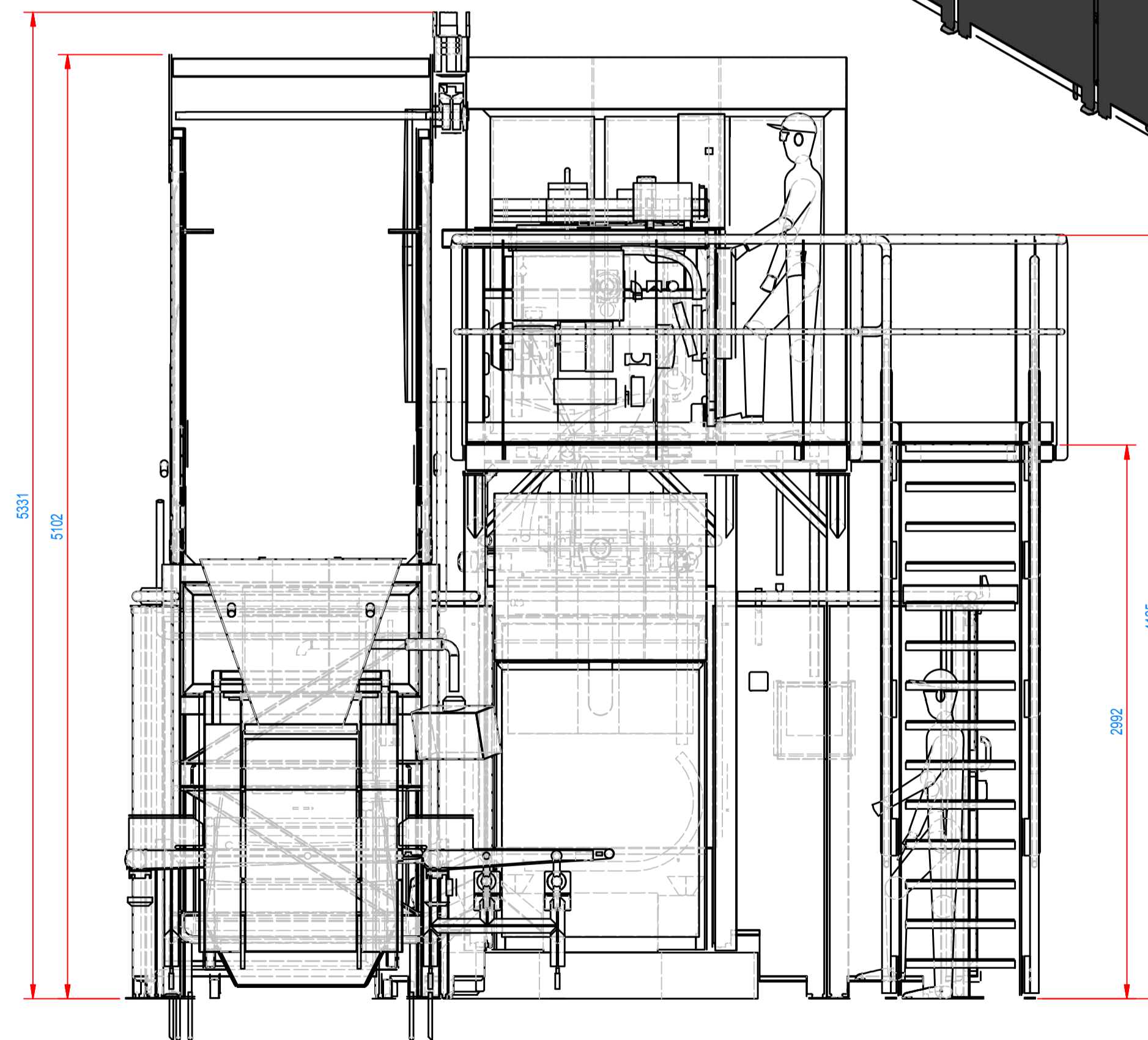
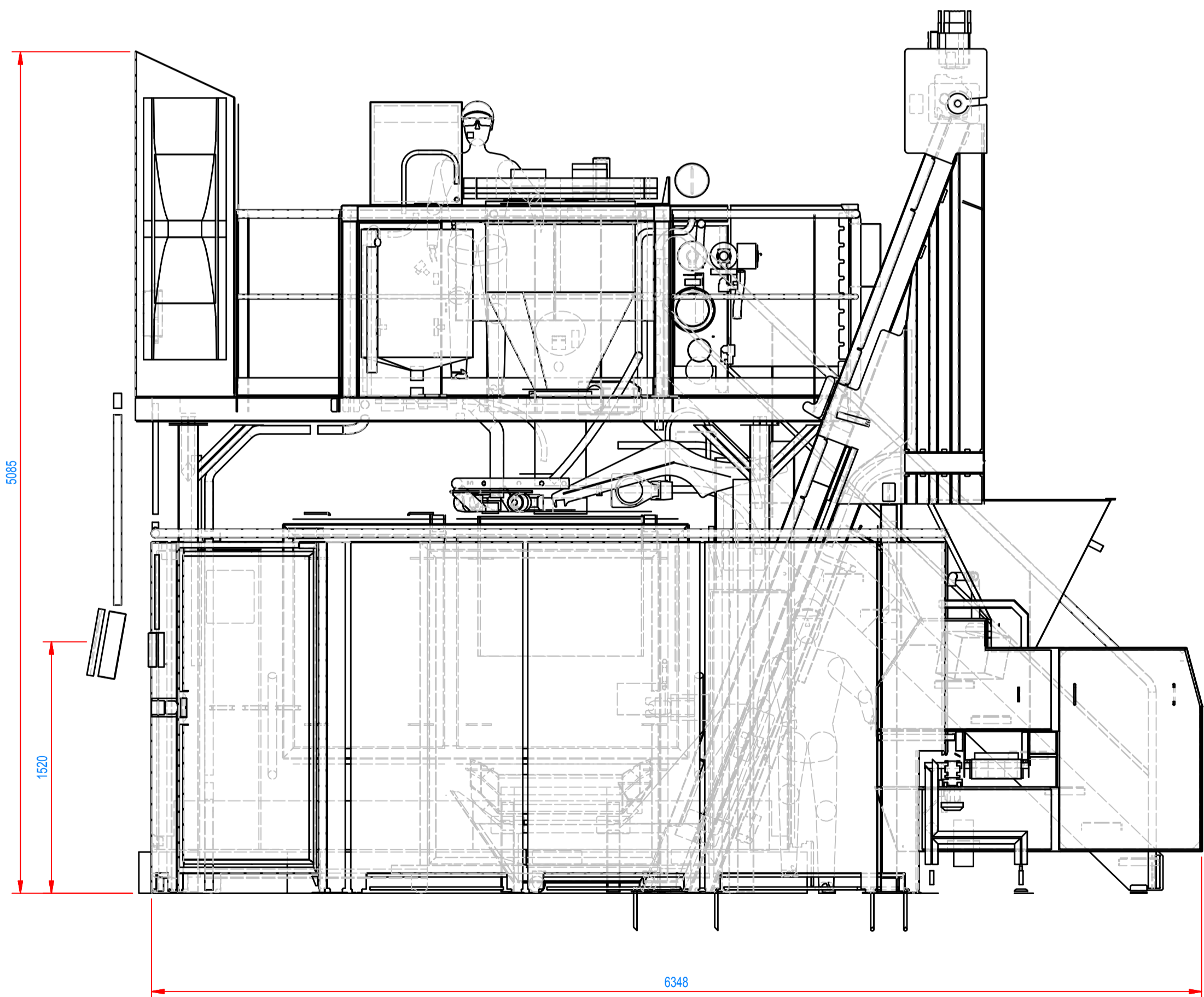
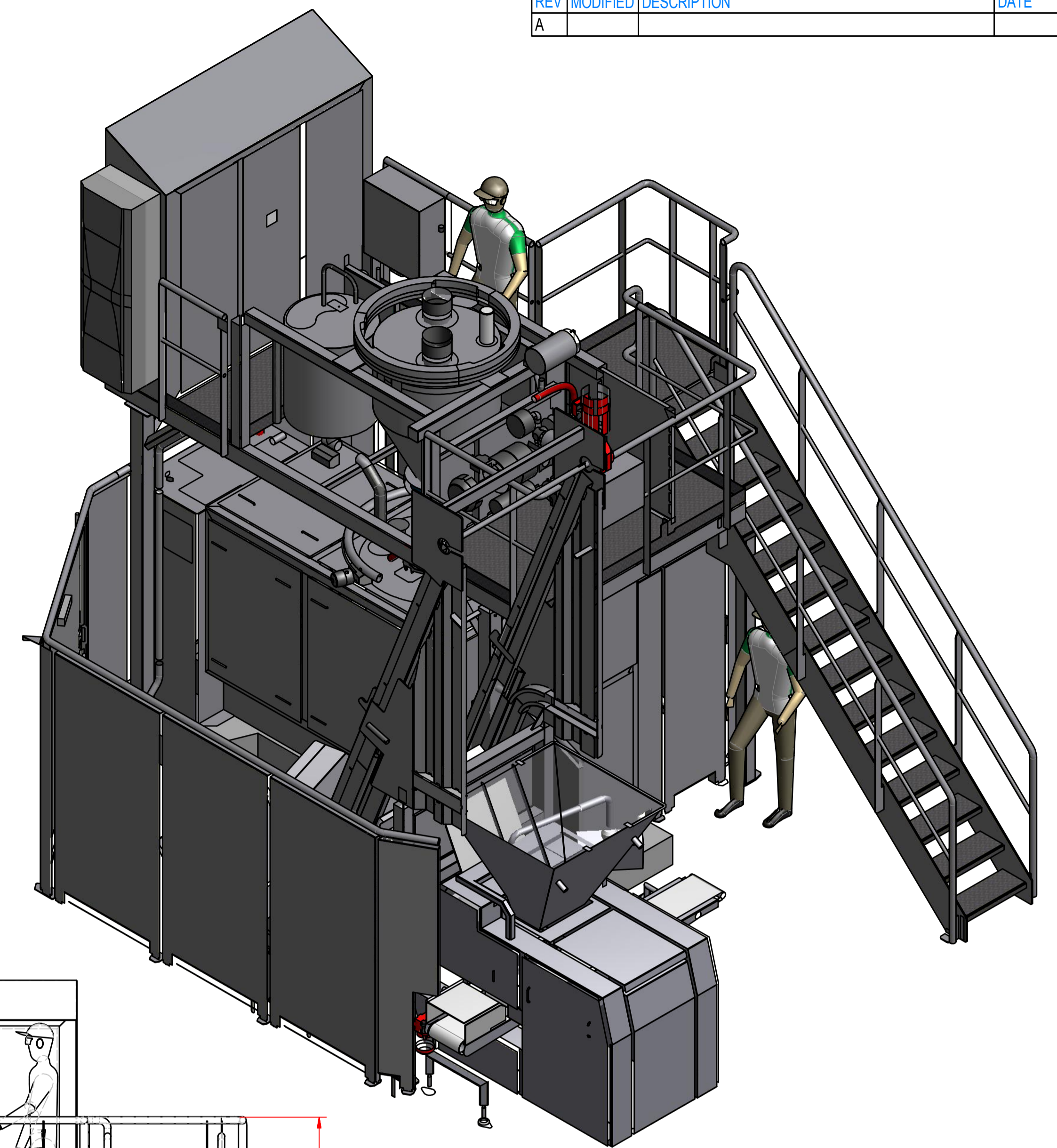
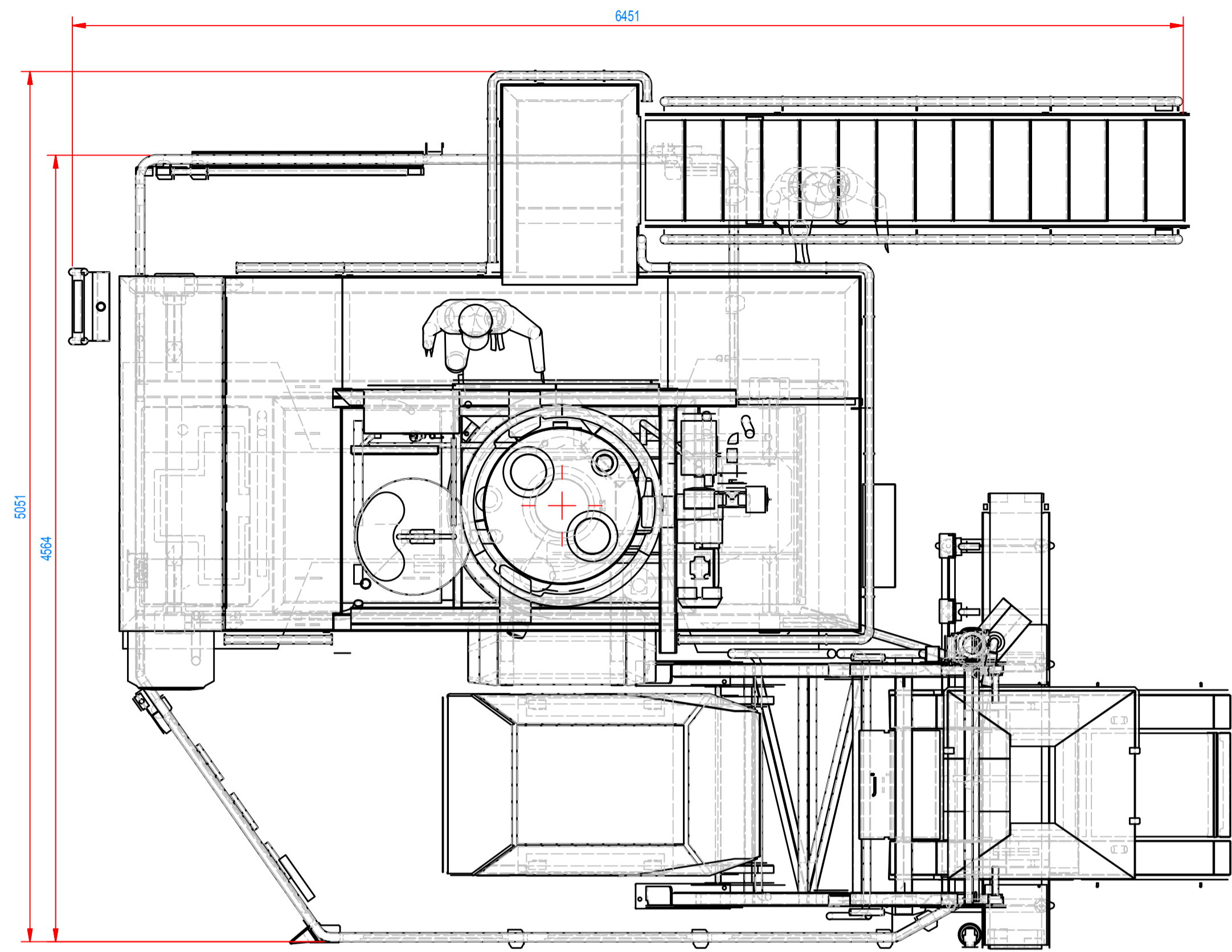


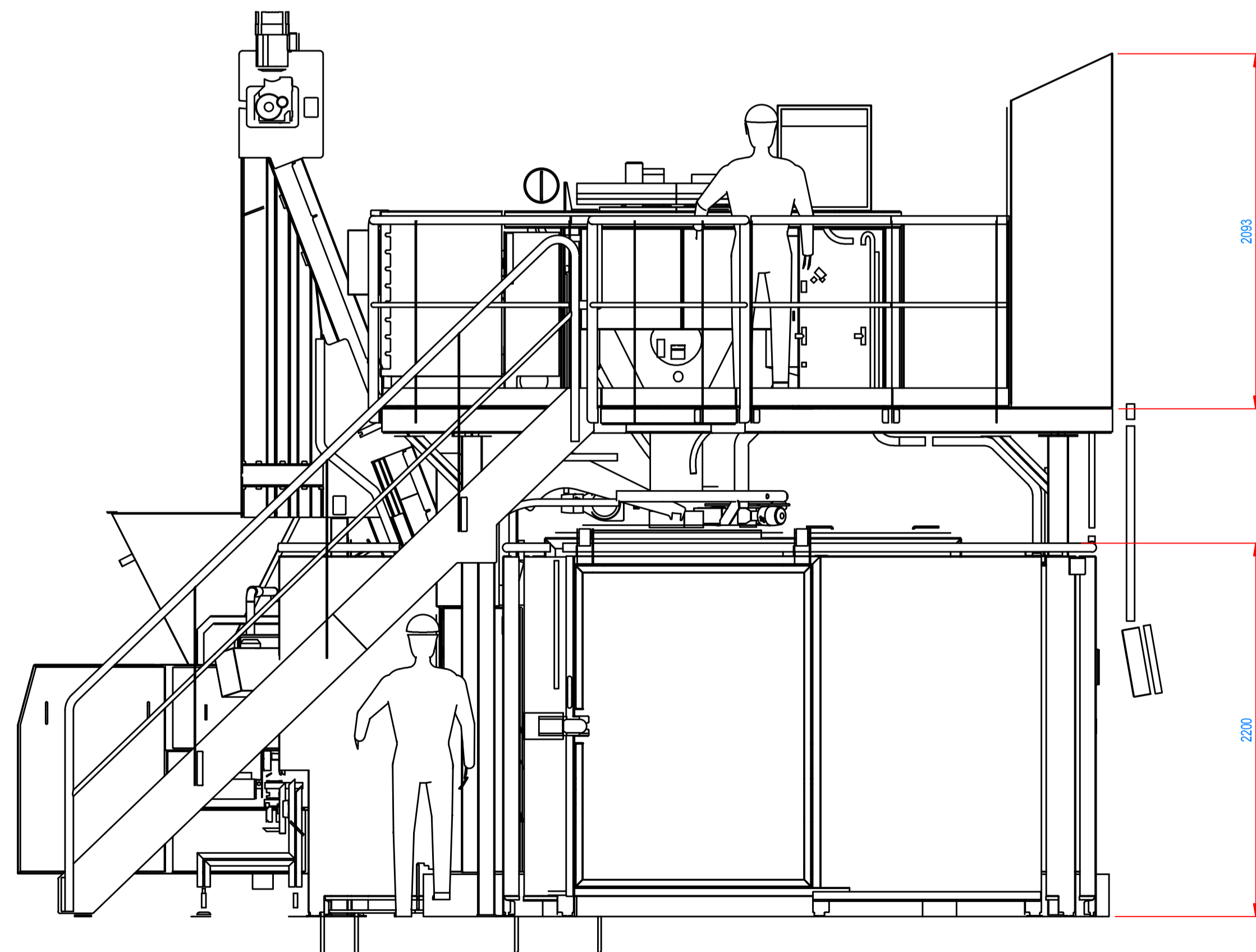
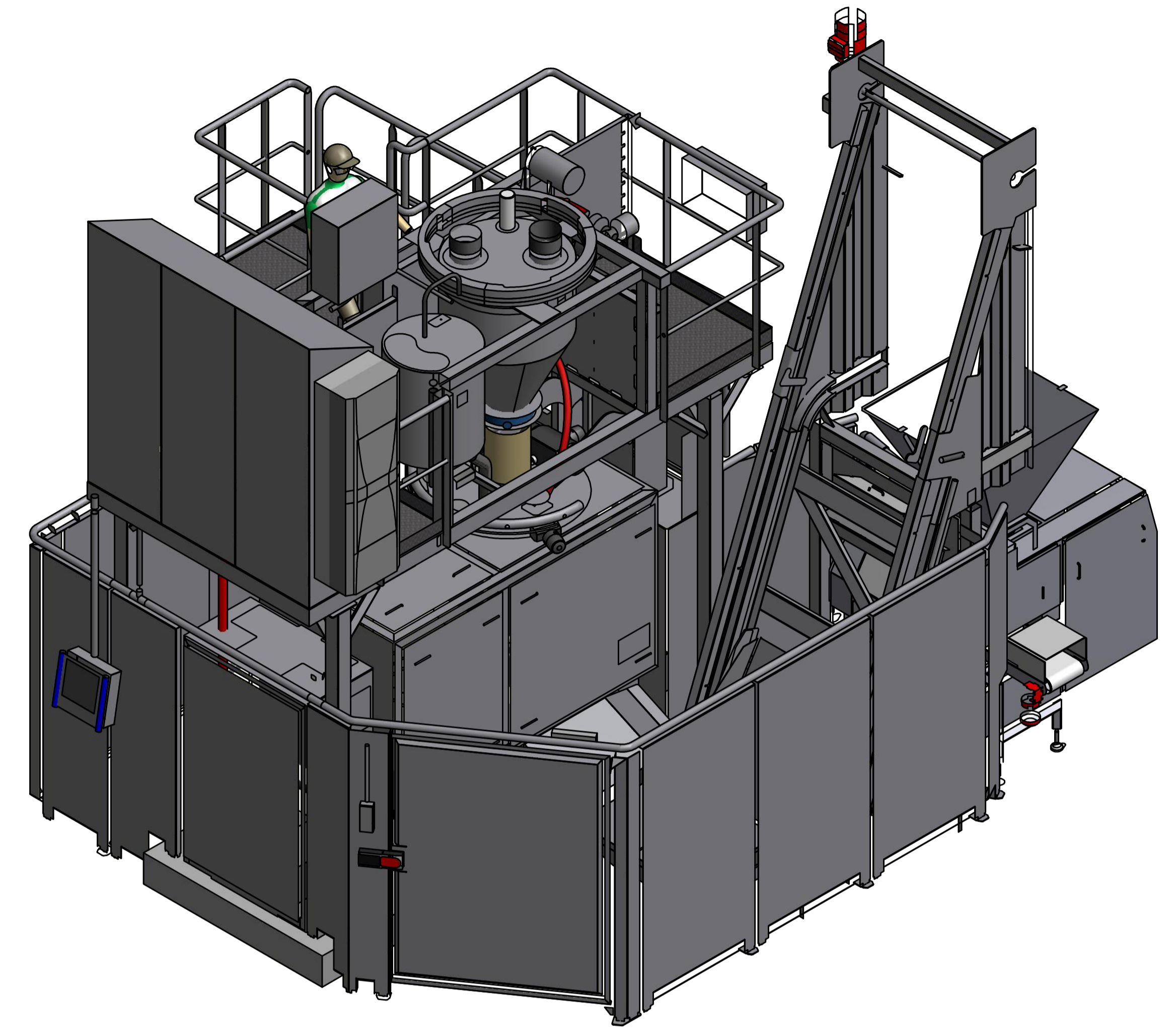
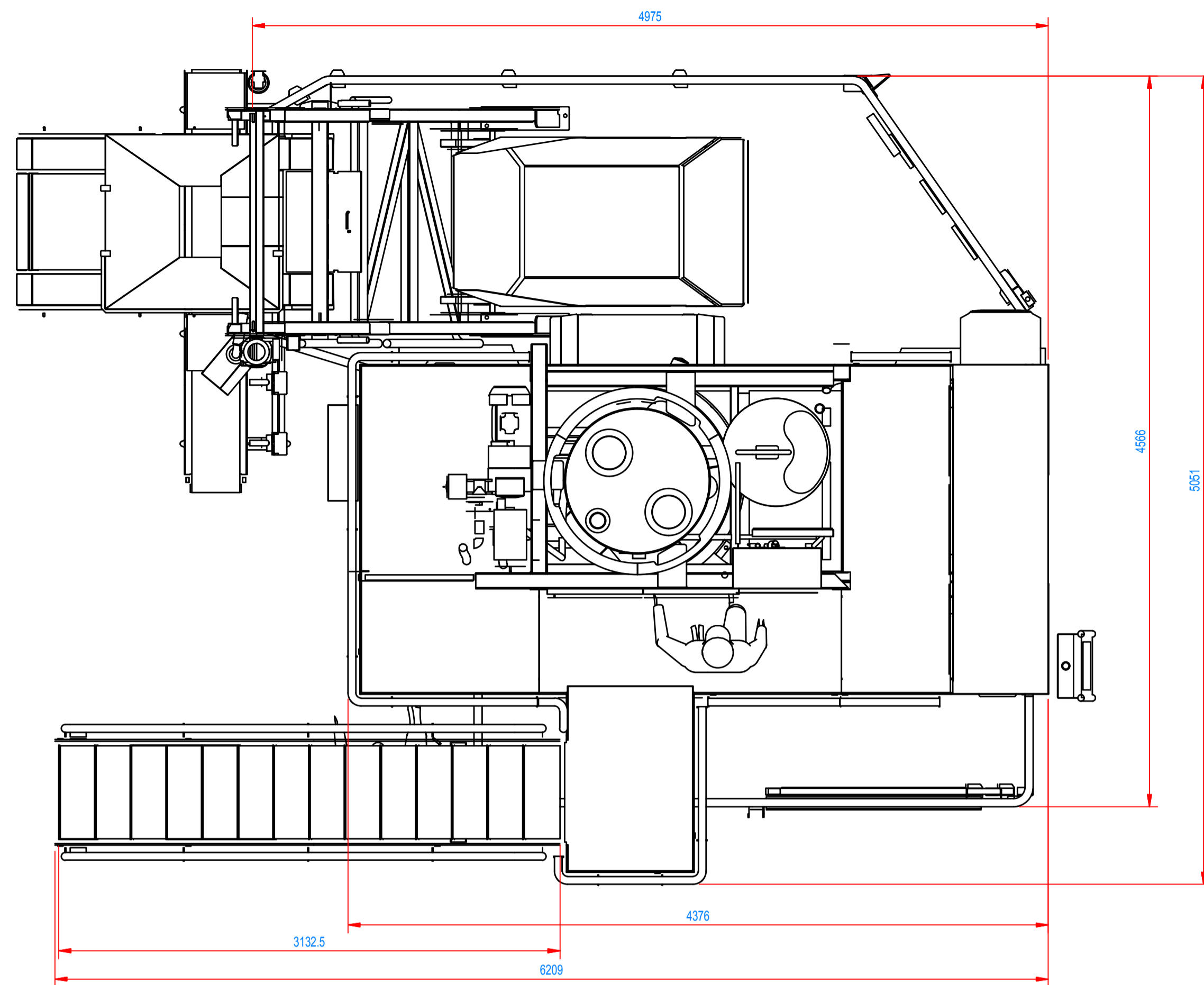
ITEM	DESCRIPTION	QTY	CATEGORY	PART NUMBER	Length
6	SILVYN EF ANACONDA - 1.25in	1	EX. 61712510, 1.25in SILVYN EF ANACONDA (CTL)	10-1MDD-P0003	940 mm
5	100 MDD VACUUM HOSE, Ø38 x 45.6mm	1	EX. °C VIEW S° HOSE, , BARFELL No. 206486 (CTL)	10-1MDD-P0002	1328 mm
4	100 MDD MAIN LID ASSY	1	AS LISTED	10-1MDD-E08	
3	100 MDD LID LIFTER ASSEMBLY	1	AS LISTED	10-1MDD-E03	
2	100 MDD SWING FRAME LEFT HAND TOP ASSEMBLY	1	AS LISTED	10-1MDD-E02L	
1	100 MDD BASE FRAME ASSEMBLY	1	AS LISTED	10-1MDD-E01	


Stock Nr:	Material:	Length:	Width:	Mass:
TOLERANCES ON DIMENSIONS UNLESS SPECIFIED		TOL ON ANGLES UNLESS SPEC	DRILLED HOLES: H9	REMARKS:
SIZE	UNITS: 2000 mm	ABOVE 2000 mm	METRIC THREAD: 6H/6g	
TOL	± 0.5 mm	± 1 mm	± 0.5°	
	FINISH UNLESS SPECIFIED	FINISH:	REMOVE ALL BURRS	
	DRAWN BY: akbm	DATE:	DESCRIPTION: 100 MDD LH MIXER ASSEMBLY (SMC,AB)	
	CHECKED BY:	DATE:	CODE: 10-1MDD-A01L	REV: A
	SCALE: 1 : 10	A1		

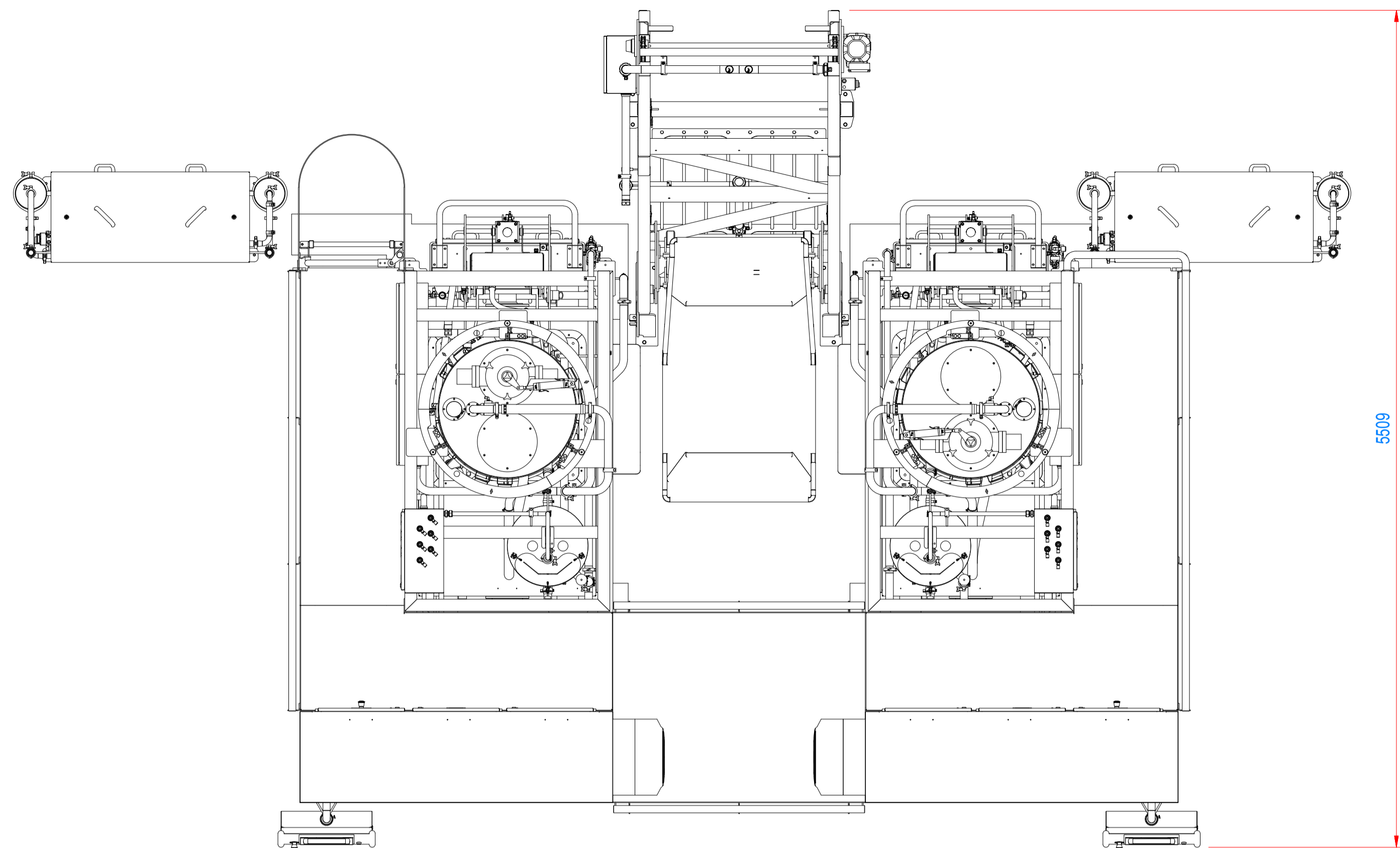


STOCK No.:	MATERIAL: Default	FINISH:	LENGTH: 0,000 mm	WIDTH: 0,000 mm	MASS: N/A	6.3 <small>DRILL UNLESS SPECIFIED BY DWT</small>
TOLERANCES UNLESS OTHERWISE SPECIFIED UP TO 2000mm: ± 0.5mm ABOVE 2000mm: ± 0.5mm ANGLE: ± 0.5° DRILLED HOLES: H13 METRIC THREAD: 6H/6g	MODELLED akbm 24-5-2013 DETAILED akbm 24-5-2013 CHECKED JOB No. JOB NUMBER © 2012	ADL No.: ADL Benier Standard	LAST SAVE: 13-6-2012	SCALE: A1 DO NOT SCALE, IF IN DOUBT ASK CODE:		
THIRD ANGLE PROJECTION UNLESS OTHERWISE STATED THIS DRAWING ISSUE IS SUBJECT TO A CONFIDENTIALITY AGREEMENT BETWEEN AUTOMATION DESIGN AND THE PERSON/COMPANY RECEIVING THIS DRAWING.	THIS DOCUMENT IS THE COPYRIGHT OF AUTOMATION DESIGN LIMITED, AND MUST NOT BE LOANED, COPIED, REPRODUCED OR SHOWN TO ANY THIRD PARTY WITHOUT PRIOR WRITTEN CONSENT. REMOVE ALL BURRS & SHARP EDGES.	Benier		LAYOUT BENIER NEDERLAND B.V.		

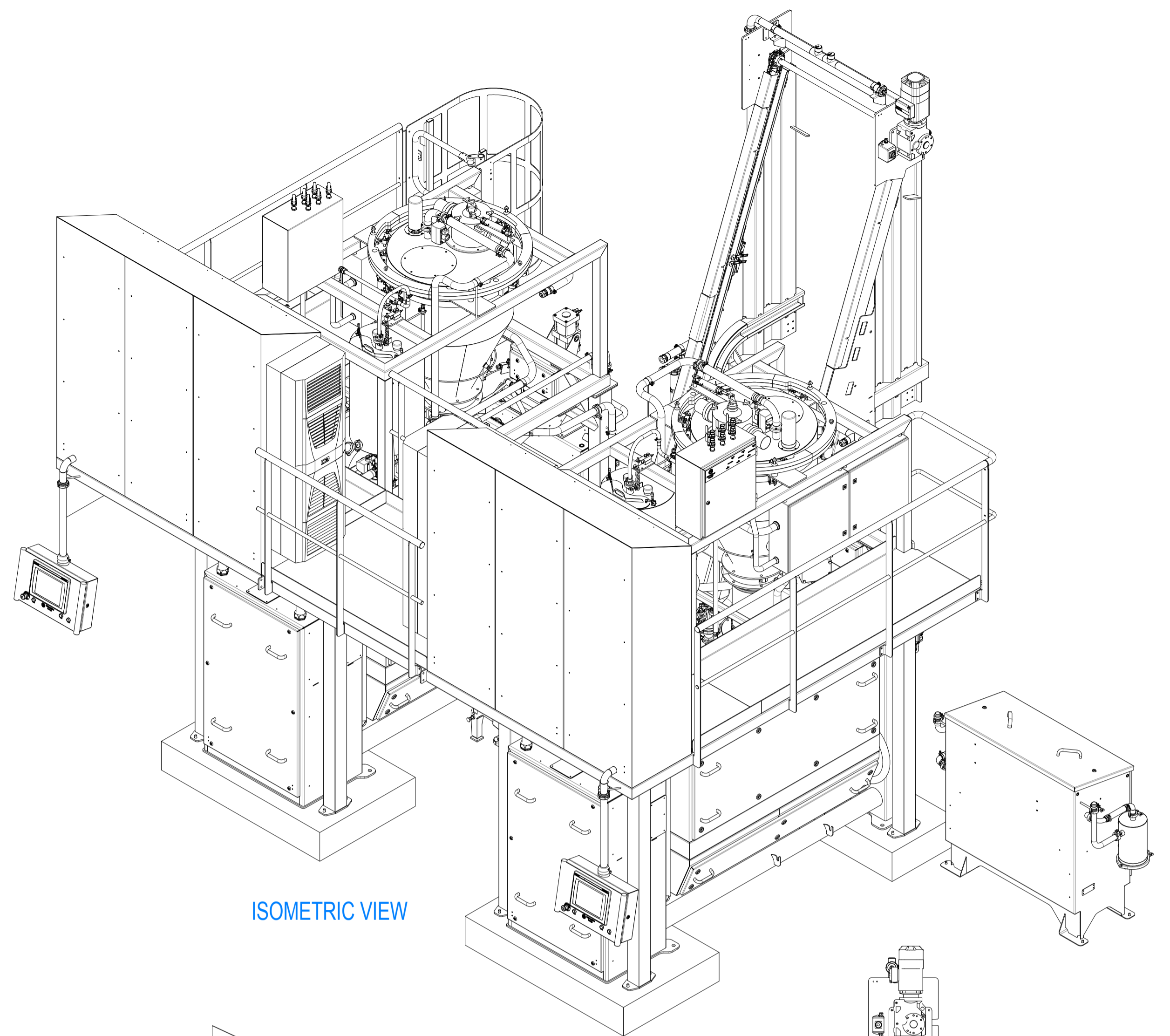
SEE ASSY.



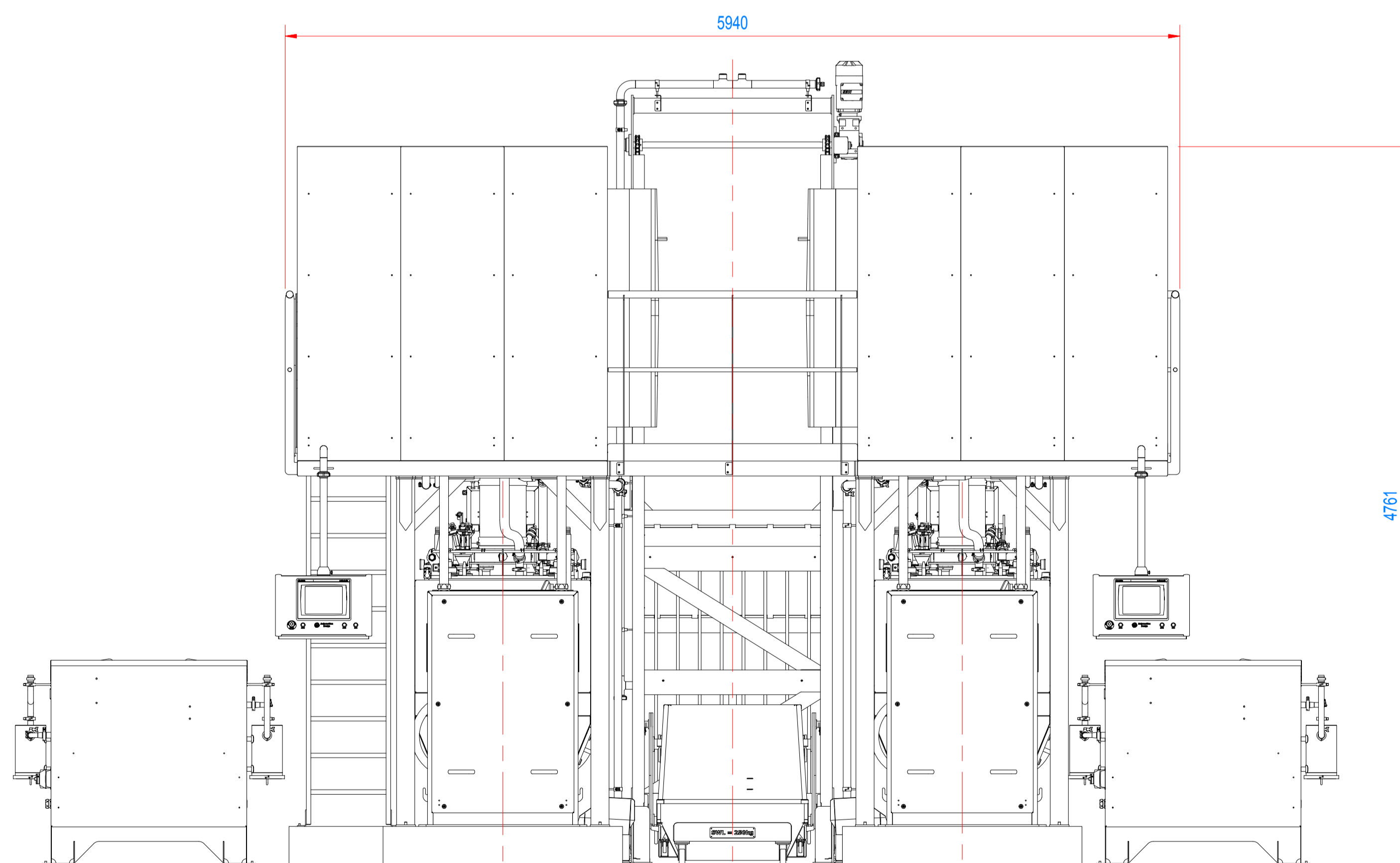
STOCK No.:	MATERIAL: Default	FINISH:	LENGTH: 0,000 mm	WIDTH: 0,000 mm	MASS: N/A	6.3 <small>THIRD ANGLE PROJECTION</small>
TOLERANCES UNLESS OTHERWISE SPECIFIED UP TO 2000mm: ± 0.5mm ABOVE 2000mm: ± 0.5mm ANGLE: ± 0.5° DRILLED HOLES: H13 METRIC THREAD: 6H/6g	MODELLED: akbm 24-5-2013 DETAILED: akbm 24-5-2013 CHECKED: JOB No.: JOB NUMBER © 2012	ADL No.: ADL Benier Standard	LAST SAVE: 13-6-2012	SCALE: A1 DO NOT SCALE, IF IN DOUBT ASK	CODE:	
THIRD ANGLE PROJECTION UNLESS OTHERWISE STATED	THIS DOCUMENT IS THE COPYRIGHT OF AUTOMATION DESIGN LIMITED, AND MUST NOT BE LOANED, COPIED, REPRODUCED OR SHOWN TO ANY THIRD PARTY WITHOUT PRIOR WRITTEN CONSENT. REMOVE ALL BURRS & SHARP EDGES			<p>LAYOUT BENIER NEDERLAND B.V.</p>	<p> </p>	<p>SHEET: 2 of 2 REVISION: A</p>
THIS DRAWING ISSUE IS SUBJECT TO A CONFIDENTIALITY AGREEMENT BETWEEN AUTOMATION DESIGN AND THE PERSON/ COMPANY RECEIVING THIS DRAWING.						



5509



ISOMETRIC VIEW

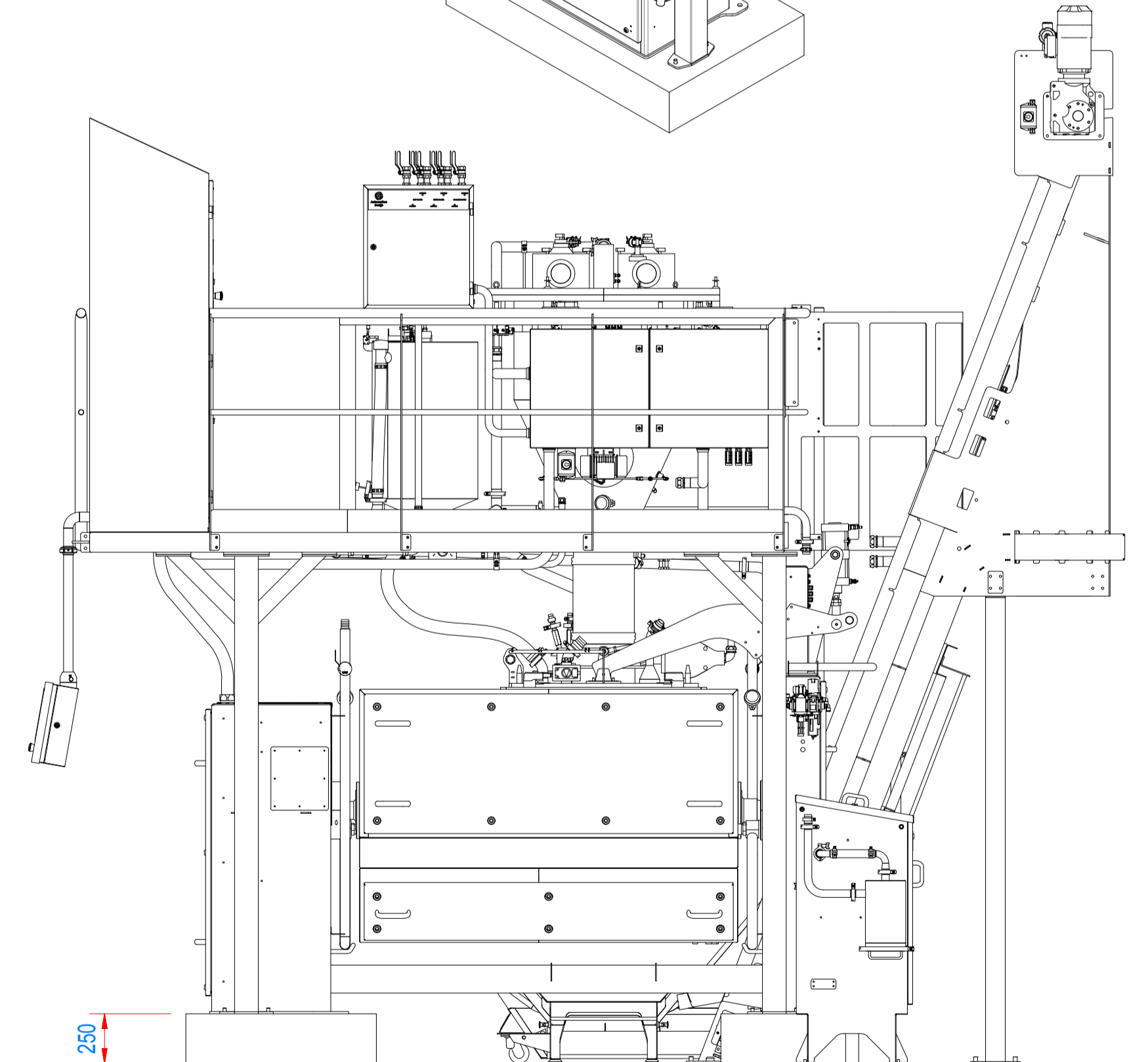


5940

4761

1525

1525

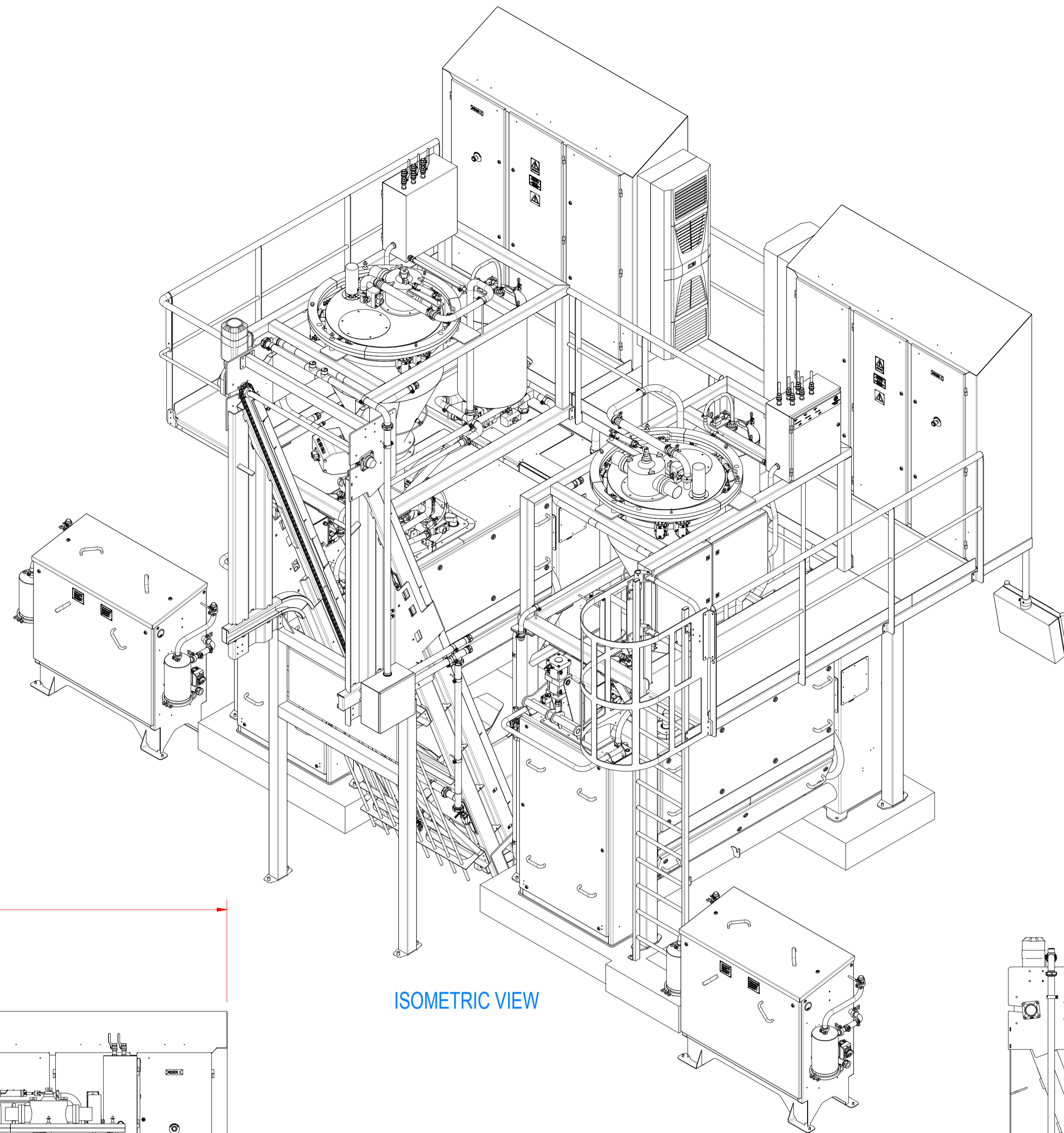


230

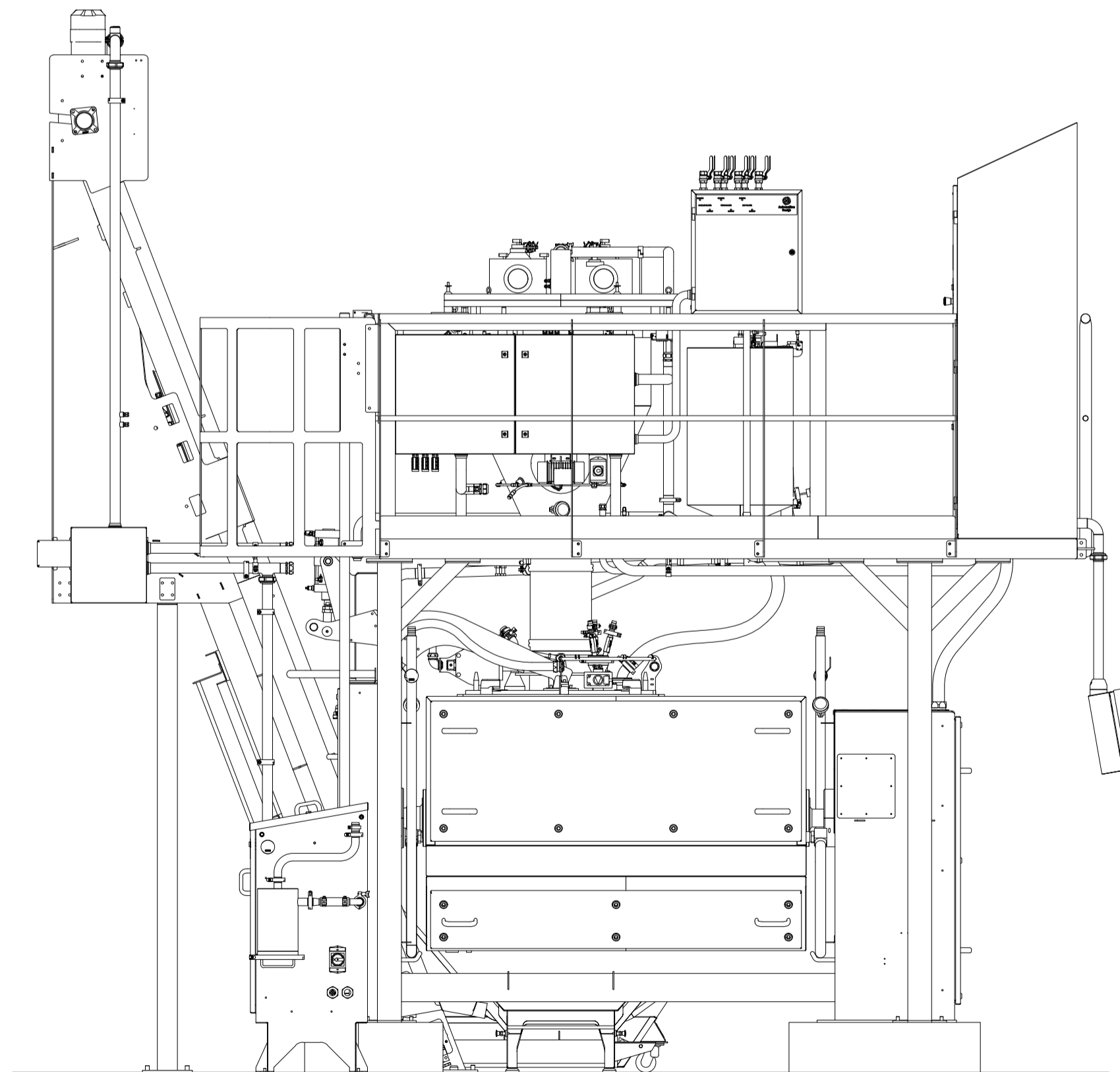
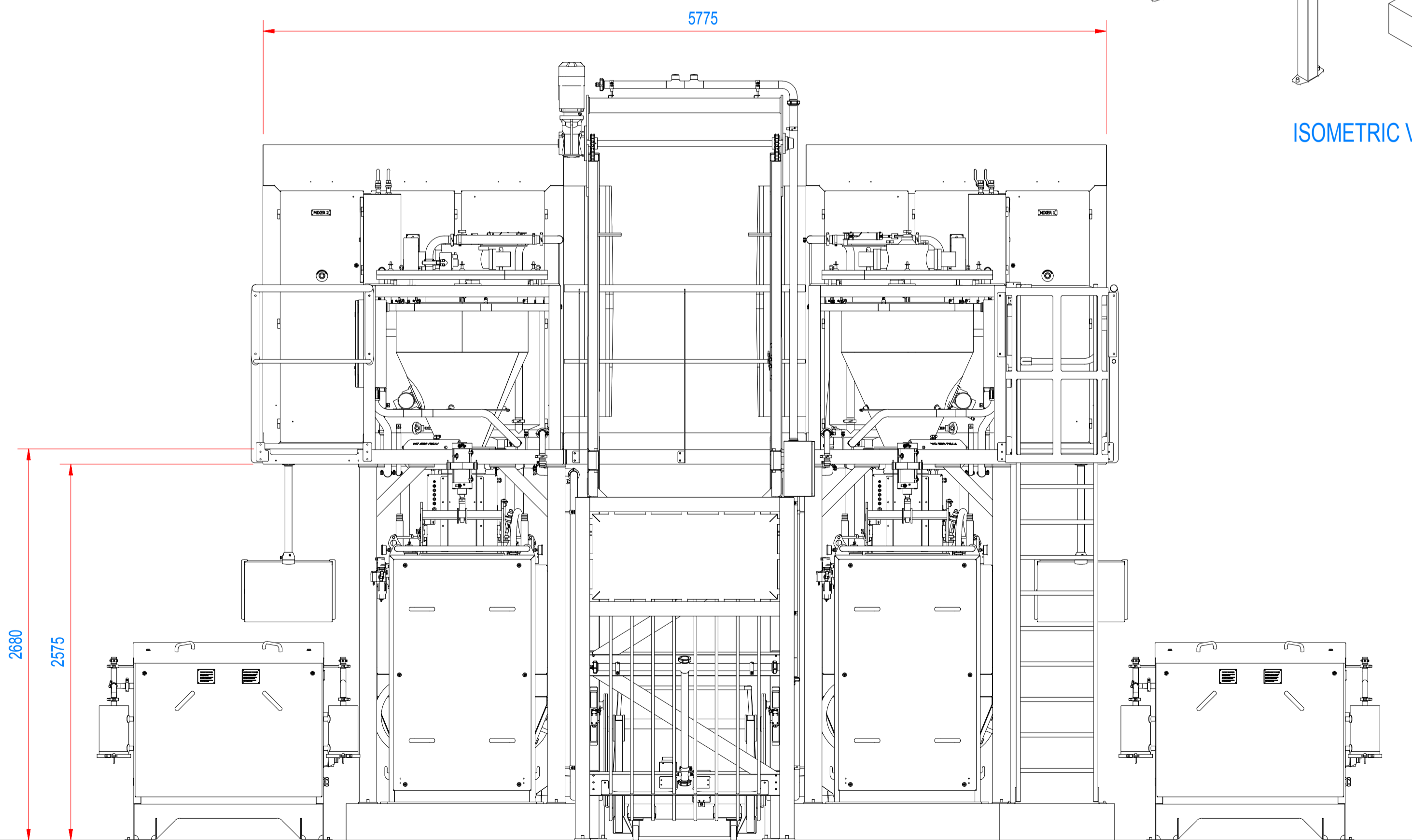
TOLERANCES UNLESS OTHERWISE SPECIFIED		MODELLED	R.D.H	16/04/2014
XX ± 1.0mm	.XX ± 0.1mm	DETAILED	R.D.H	16/04/2014
.X ± 0.5mm	ANGLE ± 1.5°	CHECKED		
THIRD ANGLE PROJECTION UNLESS OTHERWISE STATED		JOB No.	1036	© 2014
THIS DRAWING IS SUBJECT TO A CONFIDENTIALITY AGREEMENT BETWEEN AUTOMATION DESIGN AND THE PERSON/COMPANY RECEIVING THIS DRAWING.		THIS DOCUMENT IS THE COPYRIGHT OF AUTOMATION DESIGN LIMITED, AND MUST NOT BE LOANED, COPIED, REPRODUCED OR SHOWN TO ANY THIRD PARTY WITHOUT PRIOR WRITTEN CONSENT.		
REMOVE ALL BURS & SHARP EDGES				

AD AUTOMATION DESIGN
 Phone +64 3 338 1762, P.O. Box 37-154, Halswell, Christchurch 8245, New Zealand
TWIN MIXER GENERAL ASSEMBLY, PRESSURE VAC, AB, SMC, ON PLINTH
ADL 125 STANDARD TOP FRAME & 100 MDD MIXER

SCALE	1 : 25
A1	DO NOT SCALE, IF IN DOUBT ASK
DRG. No.	00-1036-A01
REVISION	B
LAST SAVE	17/04/2014
SHEET	1 of 2



ISOMETRIC VIEW



TOLERANCES UNLESS OTHERWISE SPECIFIED		
XX ± 1.0mm	.XX ± 0.1mm	
X ± 0.5mm	ANGLE ± 1.5°	
THIRD ANGLE PROJECTION UNLESS OTHERWISE STATED		
THIS DRAWING IS SUBJECT TO A CONFIDENTIALITY AGREEMENT BETWEEN AUTOMATION DESIGN AND THE PERSON/COMPANY RECEIVING THIS DRAWING.		
REMOVE ALL BURS & SHARP EDGES		
MODELLED	R.D.H	16/04/2014
DETAILED	R.D.H.	16/04/2014
CHECKED		
JOB No.	1036	© 2014
THIS DOCUMENT IS THE COPYRIGHT OF AUTOMATION DESIGN LIMITED, AND MUST NOT BE LOANED, COPIED, REPRODUCED OR SHOWN TO ANY THIRD PARTY WITHOUT PRIOR WRITTEN CONSENT.		



AUTOMATION DESIGN
 Phone +64 3 338 1762, P.O. Box 37-154, Halswell, Christchurch 8245, New Zealand
TWIN MIXER GENERAL ASSEMBLY, PRESSURE VAC, AB, SMC, ON PLINTH
ADL 125 STANDARD TOP FRAME & 100 MDD MIXER

SCALE	1:25
A1	DO NOT SCALE, IF IN DOUBT ASK
DRG. No.	00-1036-A01
REVISION	B
LAST SAVE	17/04/2014
SHEET	2 of 2