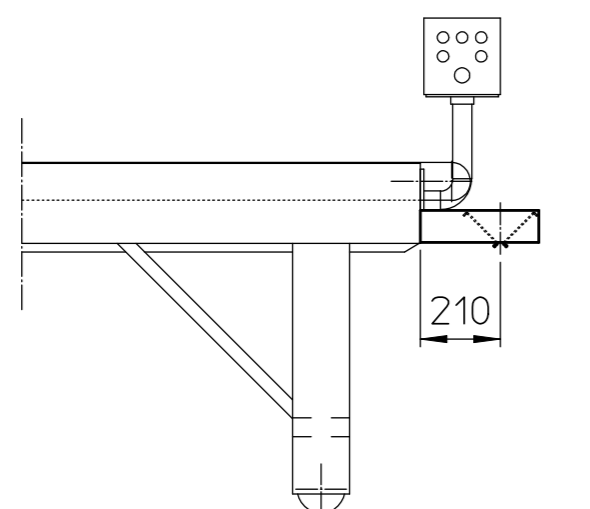
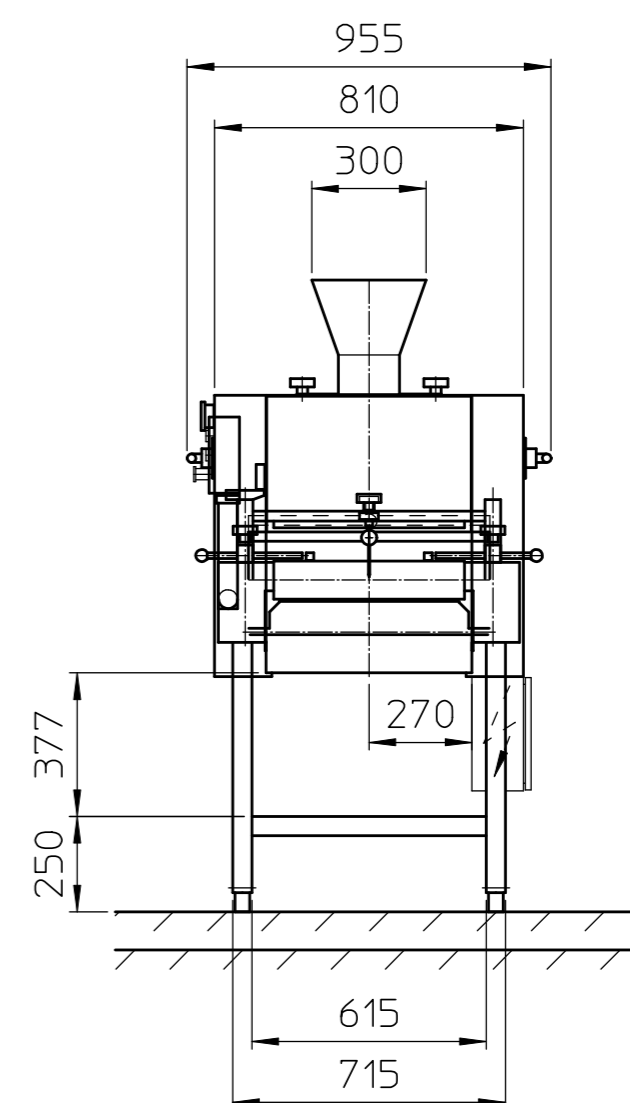
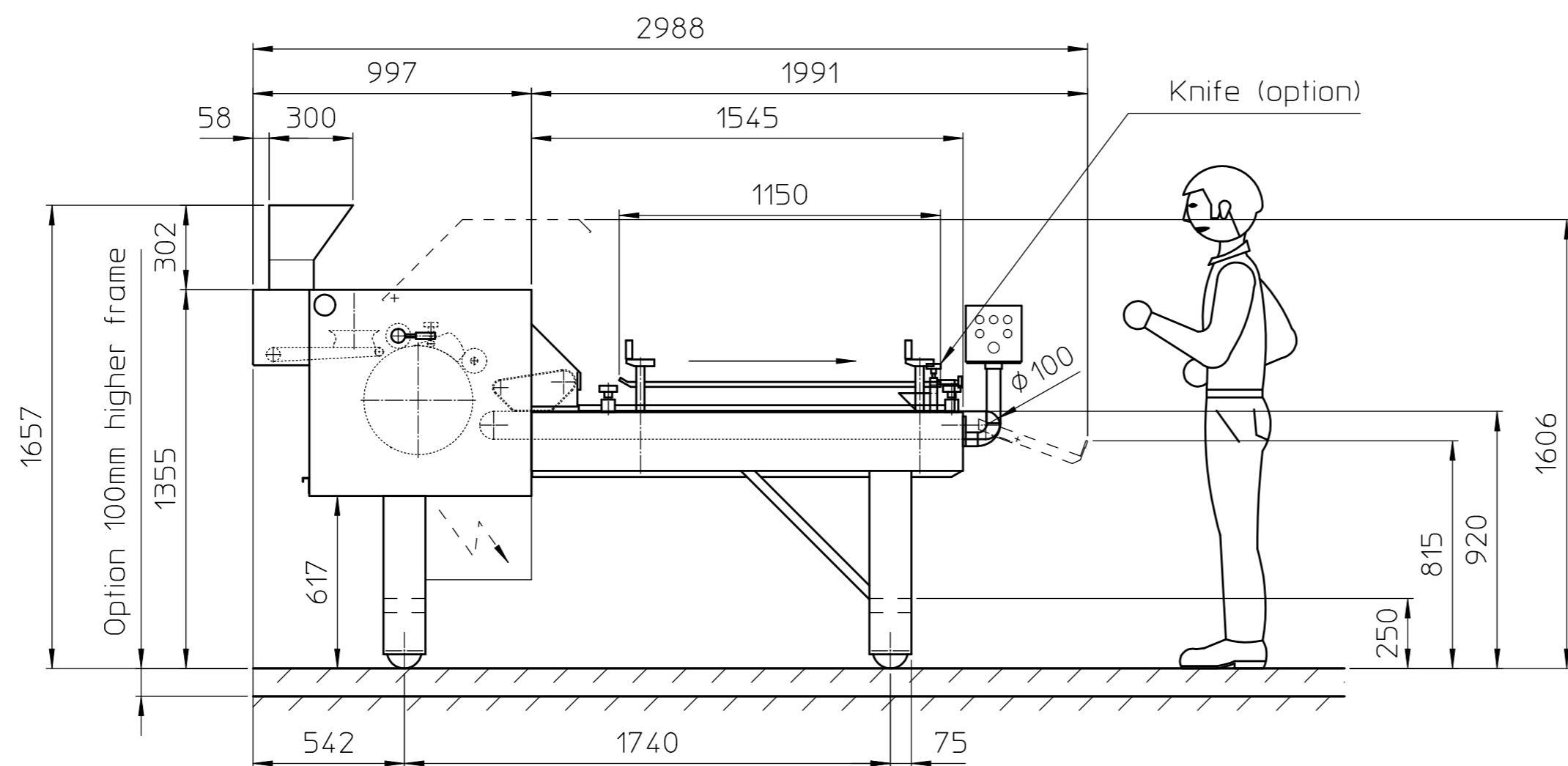
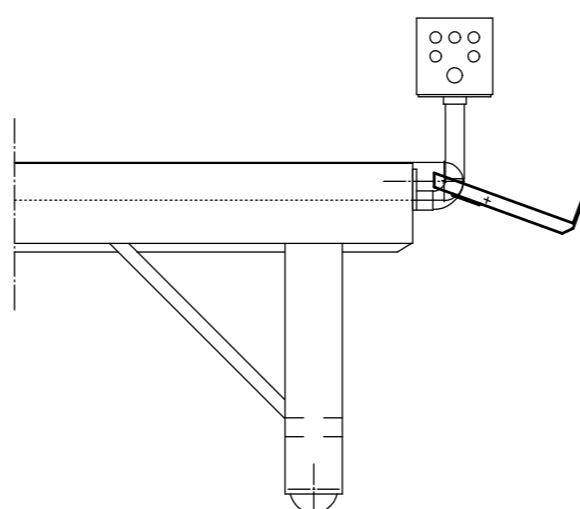


Operating side right

3N ~ 400V - 50Hz +
 P = ± 1,5kW



Option V-Valve



Option collecting tray

FOR APPROVAL BENIER NEDERLAND B.V.		FOR APPROVAL CUSTOMER	
SIGNATURE:	DATE:	DATE:	DATE:

	DIMENSIONS IN MM	DERIVATED FROM:	REFERENCE:
--	------------------	-----------------	------------

<p>The partial and all data contained therein, are exclusive property of BENIER NEDERLAND B.V. issued in strict confidence and not be reproduced, copied or used for any purpose whatsoever without written permission of BENIER NEDERLAND B.V.</p>	DRAWN BY: F. Lee	DATE: 2006-07-10	DESCRIPTION: MS500	
	CHECKED BY:	DATE:	CODE: 99305050	REV.: 00
SCALE: 1:20	A2			