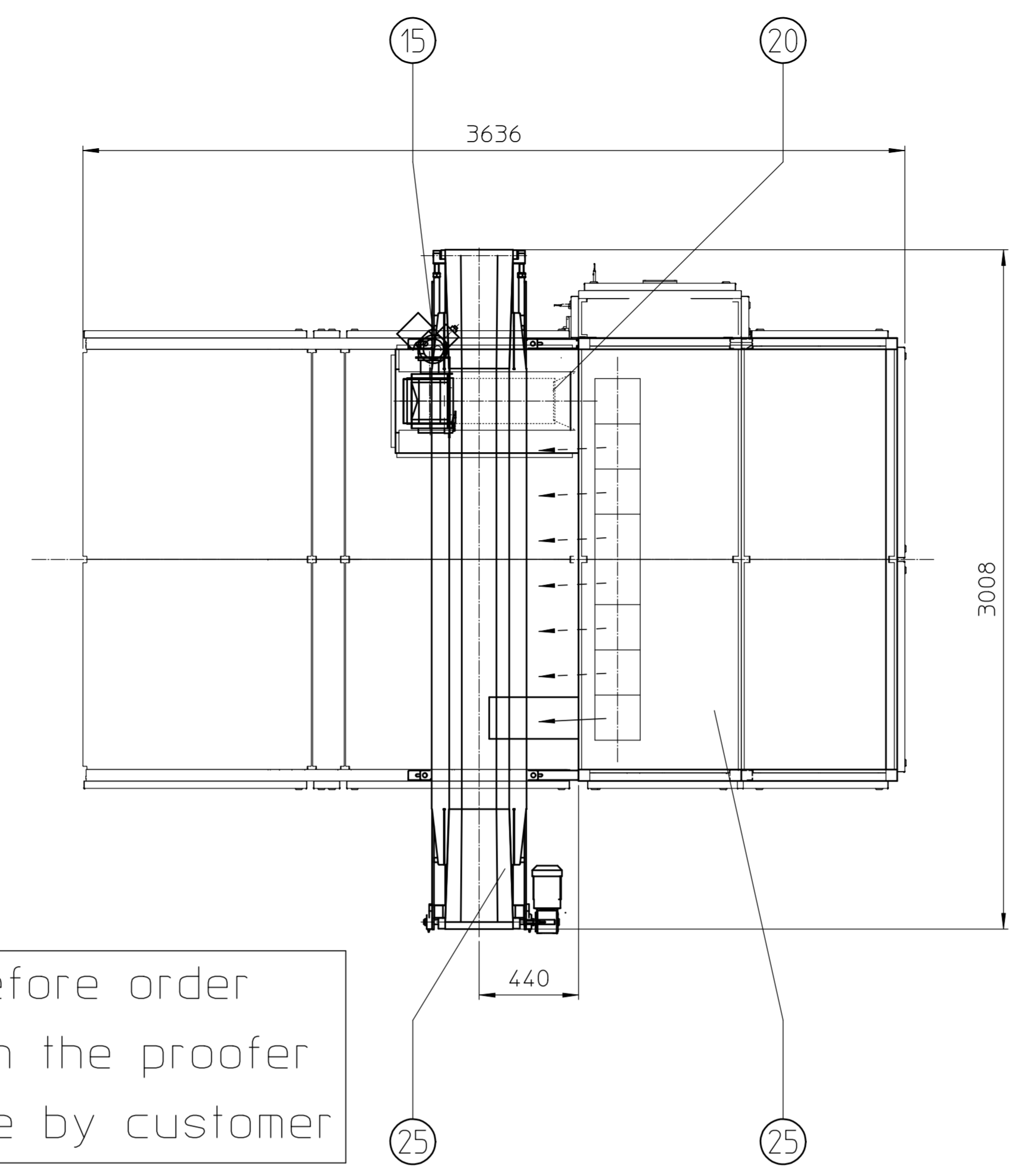
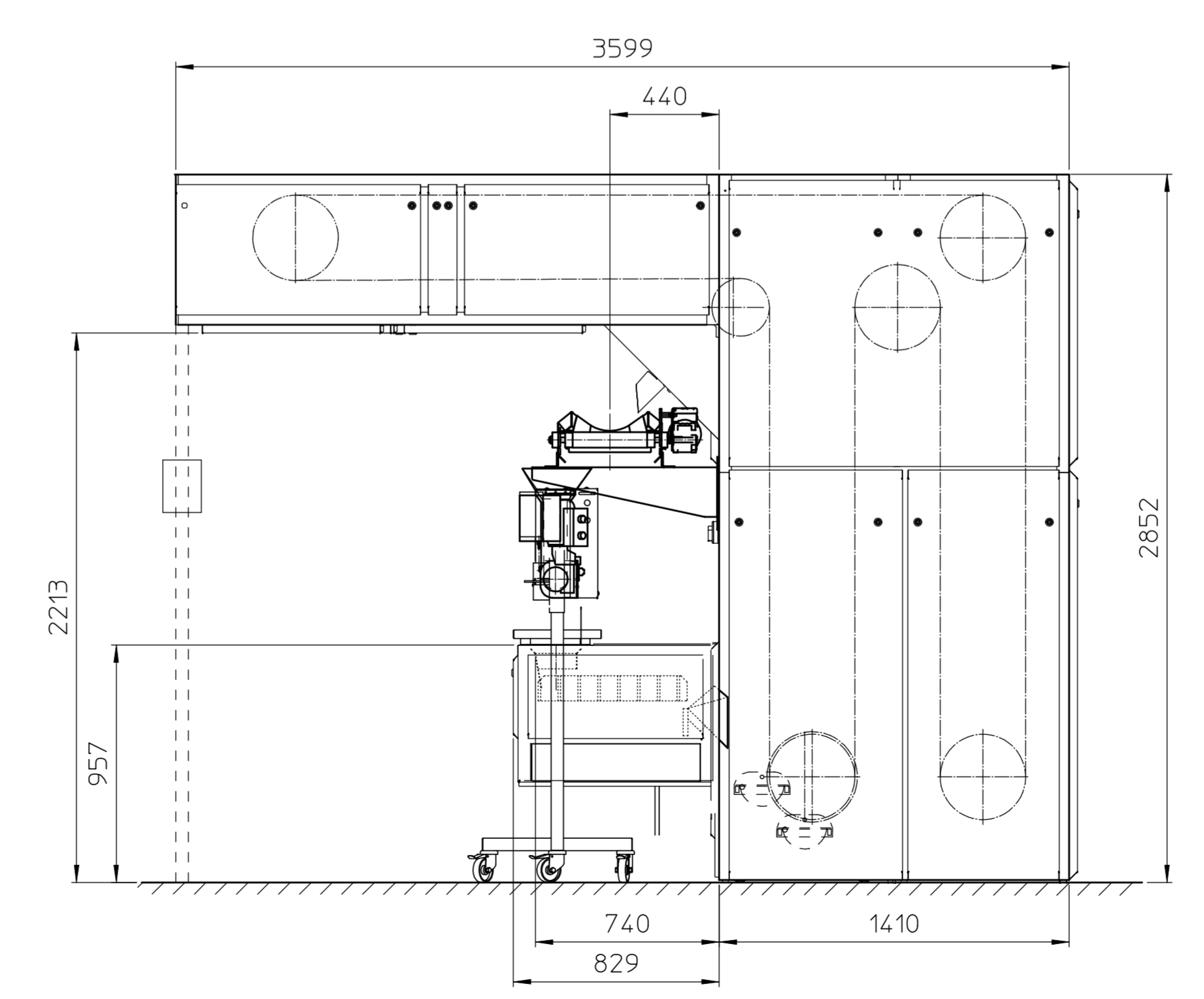
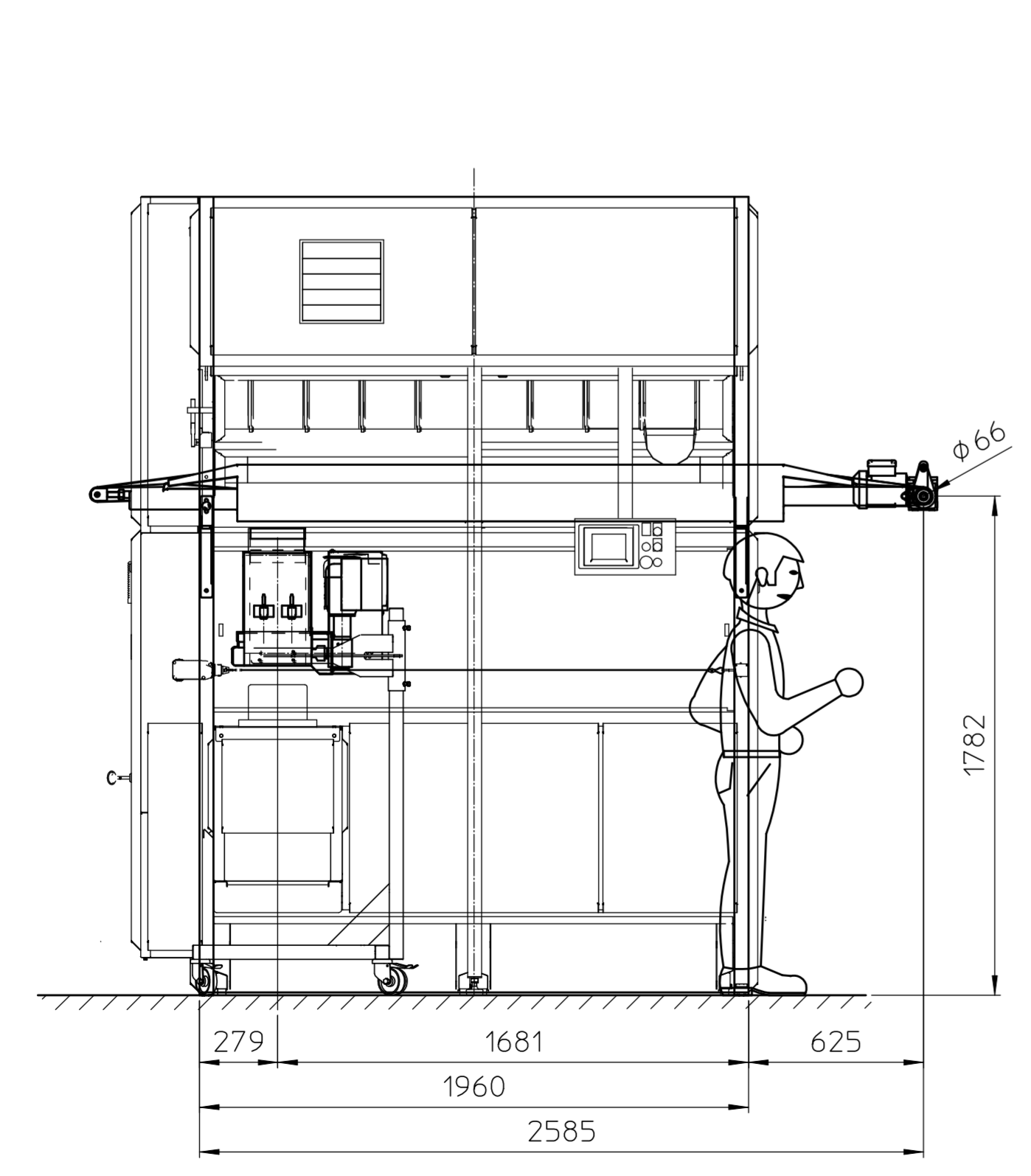


Pos.	Description	Machinenumber
5	DUSTER LD	801142
10	FIRST PROOFER BP-8-384N	801454
15	CONVEYOR	801629

ELECTRICAL DATA		
CURRENT: 3~ 380V - 50Hz - EARTH - NEUTRAL (±10%)		
CONTROLLING CURRENT: 220V AC - 24V DC		
CONNECTED LOAD TO:		
POS. 5 FLOUR DUSTER LD	0,25 kW	
POS. 10 FIRST PROOFER SYSTEM BP 8-384N	2 kW	
POS. 15 CONVEYOR	1 kW	



Customer has to check the dimensions in detail before order  
 - Check if the existing equipment can connect with the proofer  
 - Addaptions to existing equipment should be done by customer



FOR APPROVAL BENIER NEDERLAND B.V.		FOR APPROVAL CUSTOMER	
SIGNATURE:	DATE:	SIGNATURE:	DATE:

	DIMENSIONS IN MM		DERIVATED FROM: 12-0358	REFERENCE:
	DRAWN BY: C. Mee CHECKED BY: SCALE: 1:20	DATE: 2012-12-10 DATE:	DESCRIPTION: Proofer BP 8-384N CODE: 99304175	