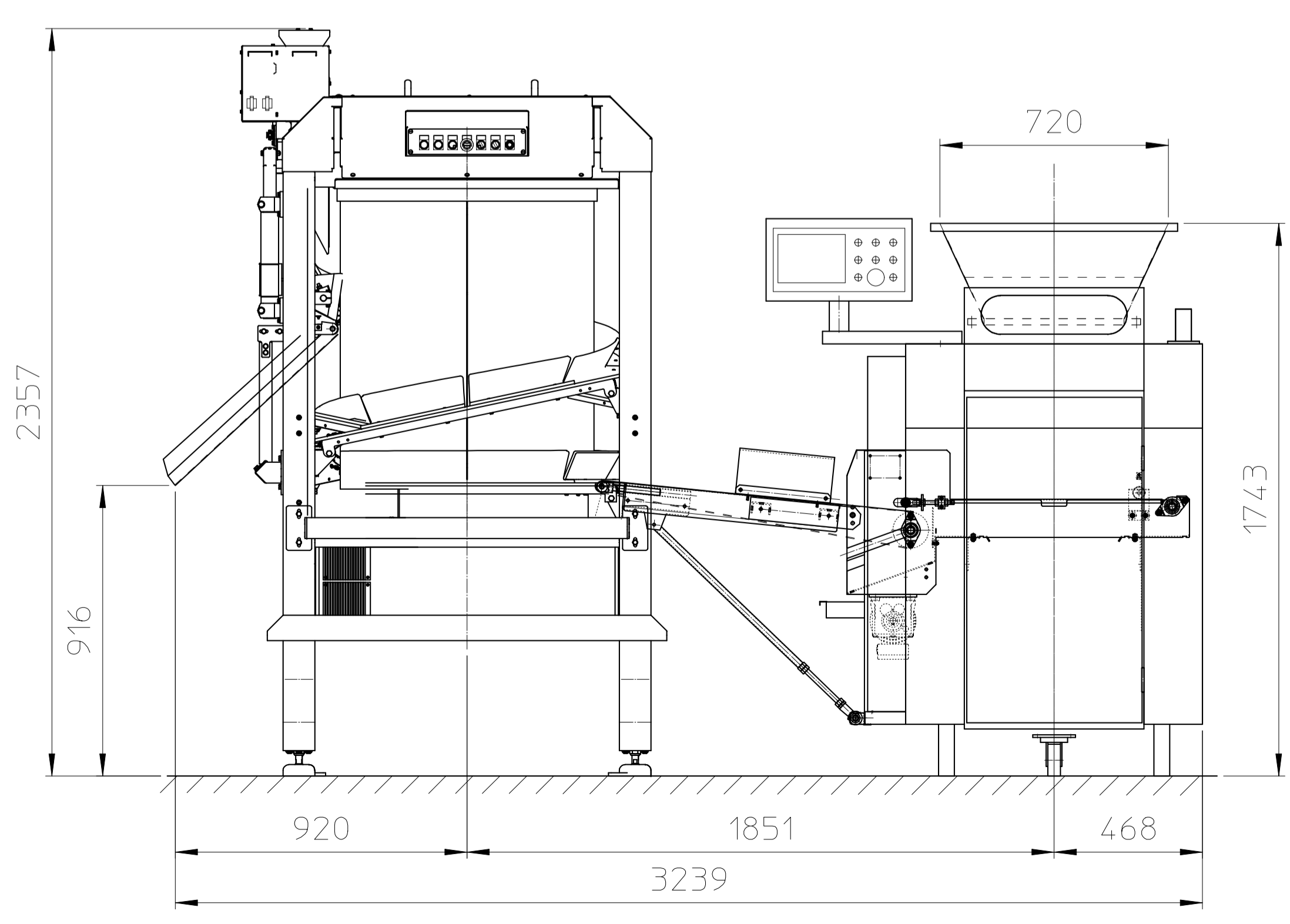
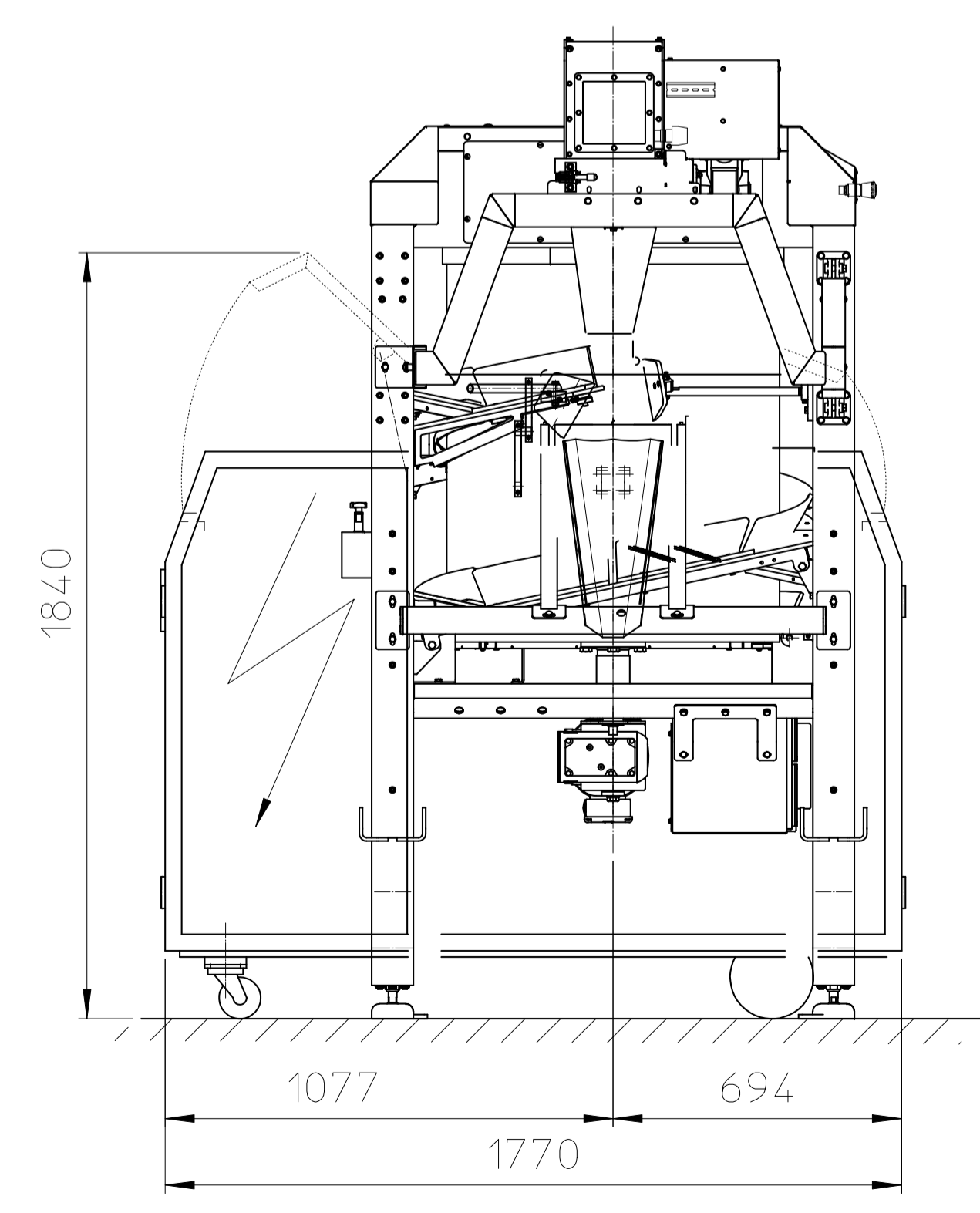


Pos.	Description	Machinenumber
5	DIVIDER DOUGH EXPERT	801210
10	ROUNDER UNIROUNDER	801318

ELECTRICAL DATA		
CURRENT: 3N~ 400V - 50Hz - EARTH		
CONTROLLING CURRENT: 230V AC - 24V DC		
CONNECTED LOAD TO:		
POS. 5 DIVIDER DOUGH EXPERT	5 kW	
POS. 10 ROUNDER UNIROUNDER	4 kW	

COMPRESSED AIR	
WORKING PRESSURE: 6 BAR	
CONSUMPTION IN NORMAL AIR (1 BAR/20°C)	
T-1 POS. 5 DIVIDER DOUGH EXPERT	1,2 NM <sup>3</sup> /Hr.

MANUAL OIL SUPPLY		MAX. USAGE Excl. Dough separation
O-1 POS. 10 DIVIDER DOUGH EXPERT	1,9 L/1.500 STR.	



FOR APPROVAL BENIER NEDERLAND B.V.		FOR APPROVAL CUSTOMER	
SIGNATURE:	DATE:	DATE:	DATE:

	DIMENSIONS IN MM	DERIVATED FROM:	REFERENCE: 12-0249
	DRAWN BY: C. Mee CHECKED BY:	DATE: 2016-01-12 DATE:	DESCRIPTION: Dough Expert & UniRounder
SCALE: 1:20	A2	CODE: 99304917	REV.: 00