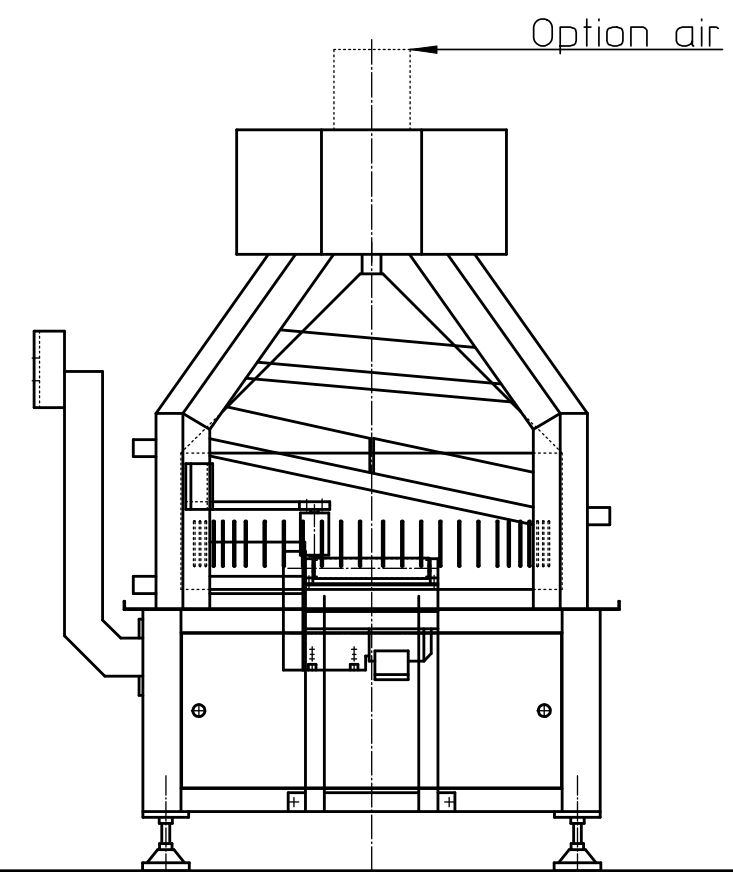
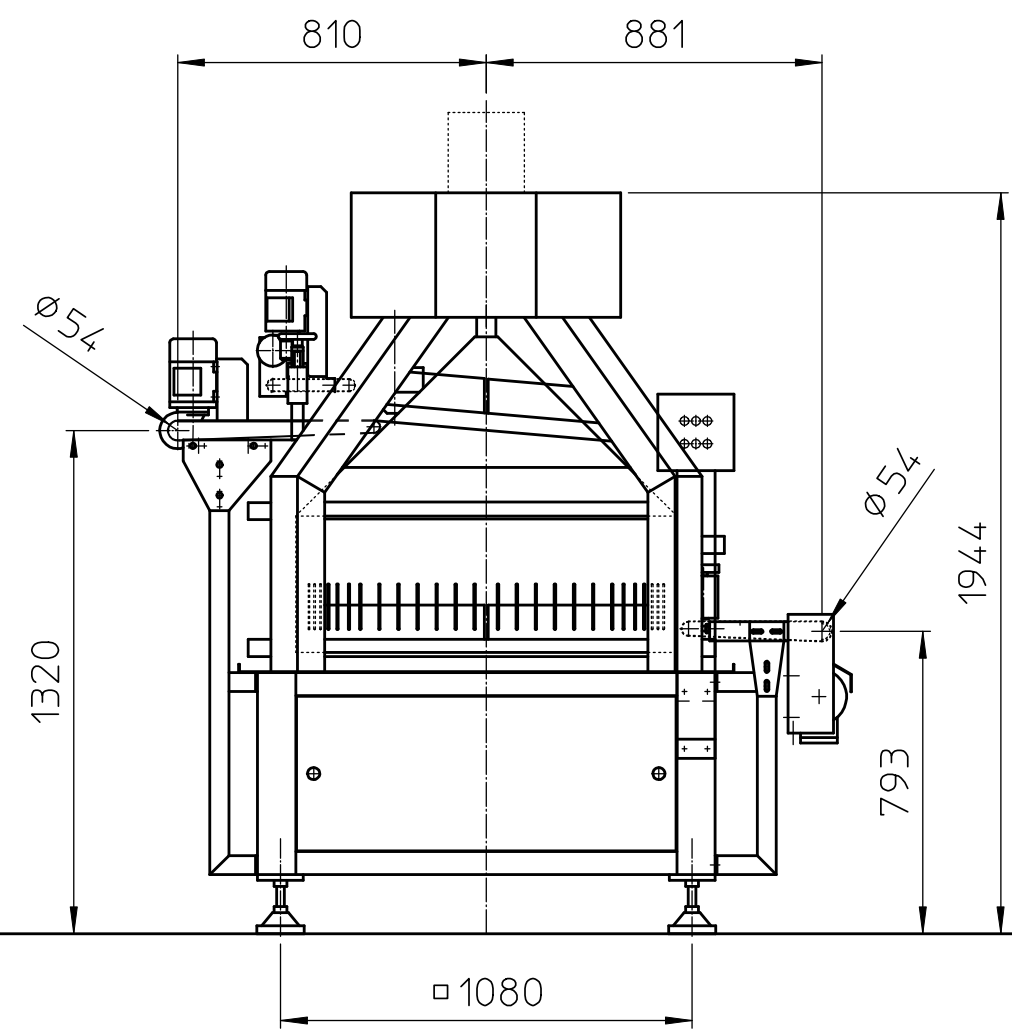
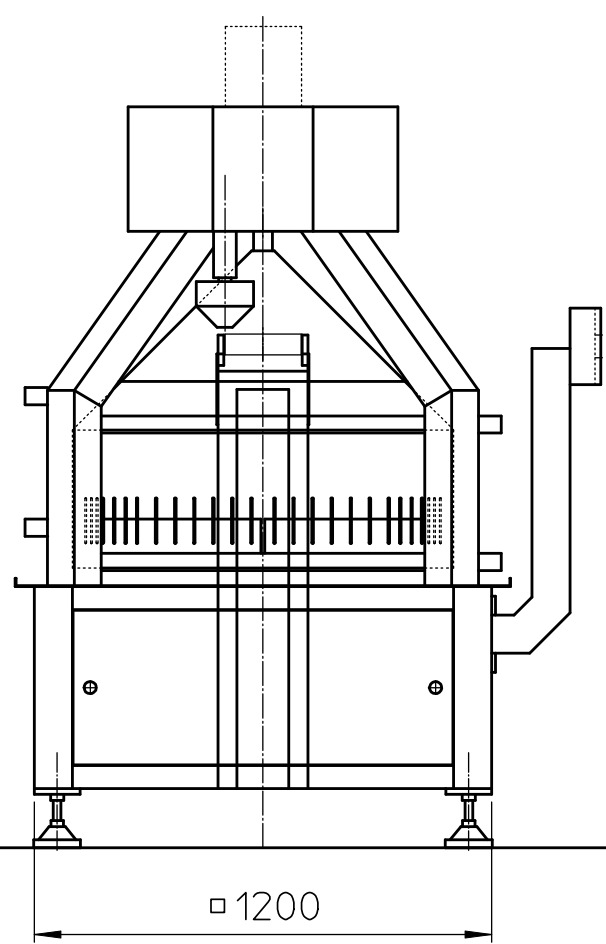
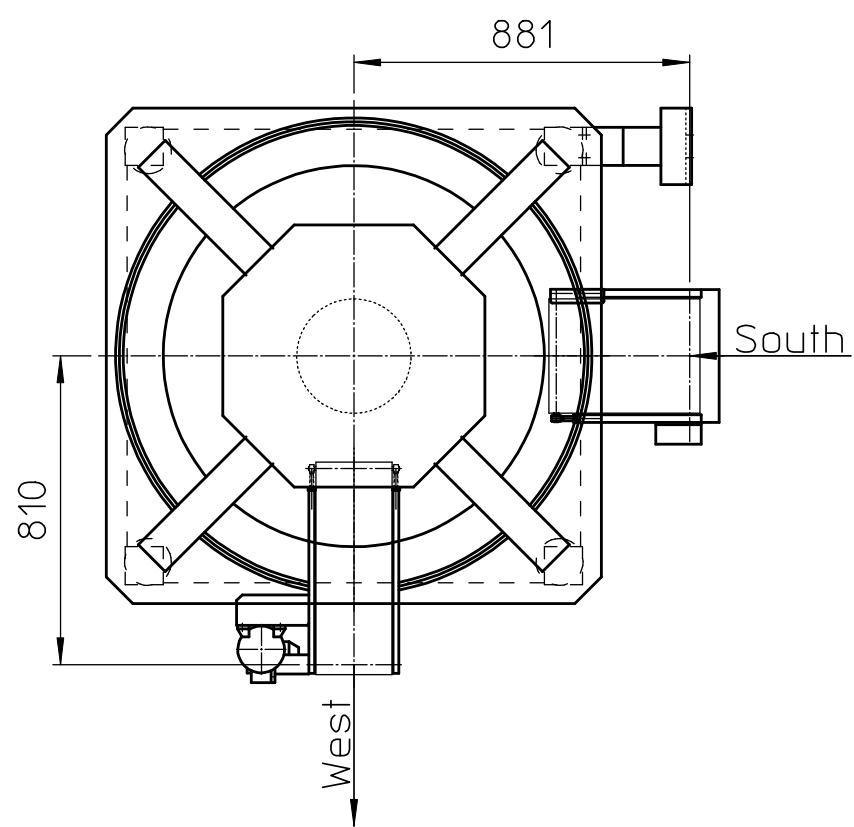


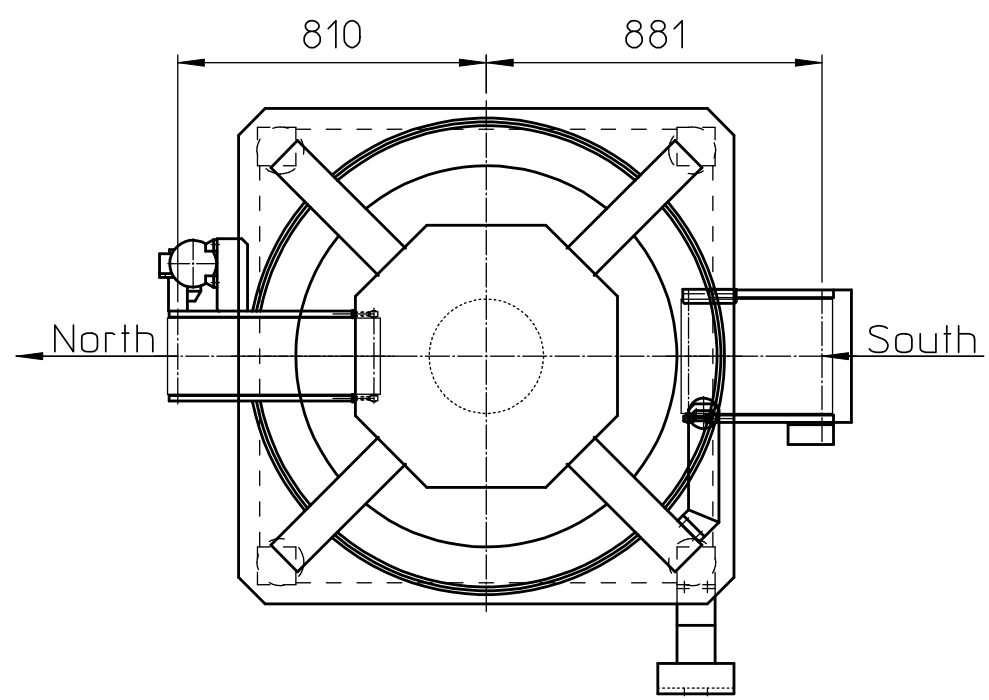
⚡ 3N ~ 400V - 50Hz + ⊕
 ⚡ P = ± 3kW




South - West



South - North



FOR APPROVAL BENIER NEDERLAND B.V.		FOR APPROVAL CUSTOMER	
SIGNATURE:	DATE:	DATE:	DATE:

 <small>The patent, and all data contained therein, are exclusive property of BENIER NEDERLAND B.V. Issued in strict confidence and not to be reproduced, copied or used for any purpose whatsoever without written permission of BENIER NEDERLAND B.V.</small>	DIMENSIONS IN MM AM. PROJ.	DERIVATED FROM: DATE: 2006-07-11	REFERENCE:
	DRAWN BY: F. Lee CHECKED BY:	DATE: DATE:	DESCRIPTION: TALLROUND HDS
SCALE: 1:20	A2	REV.: 00	