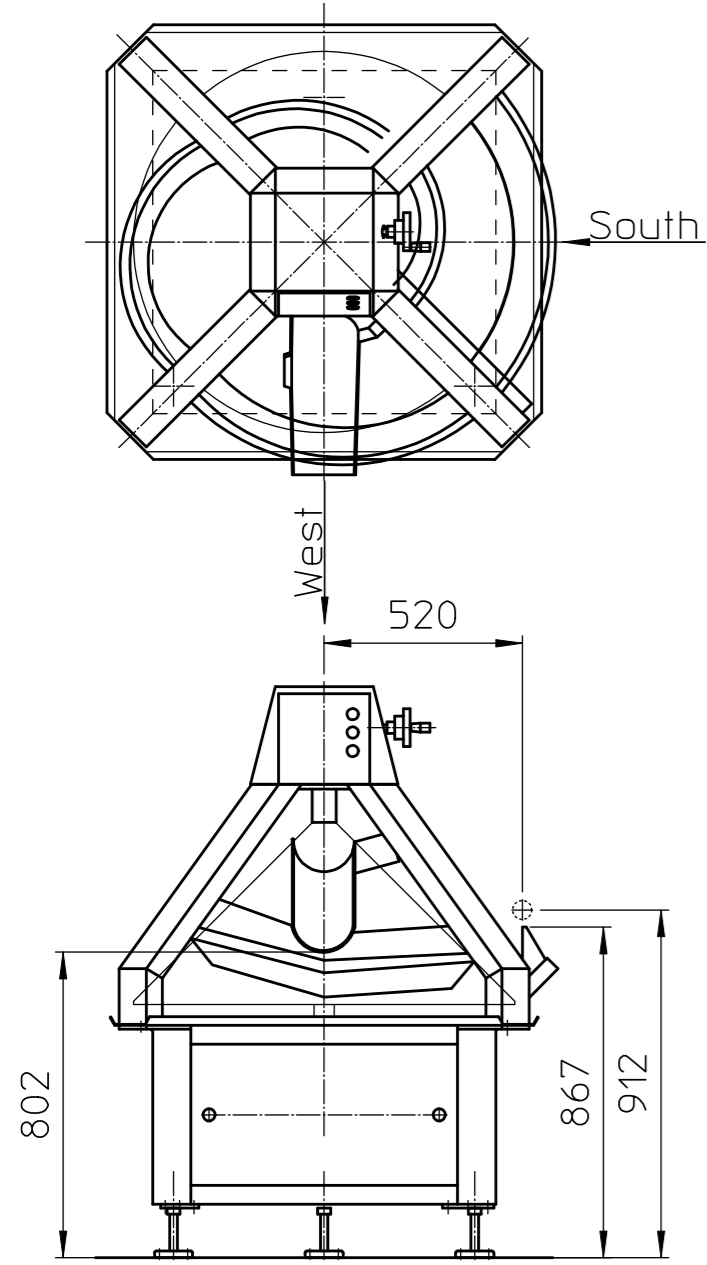
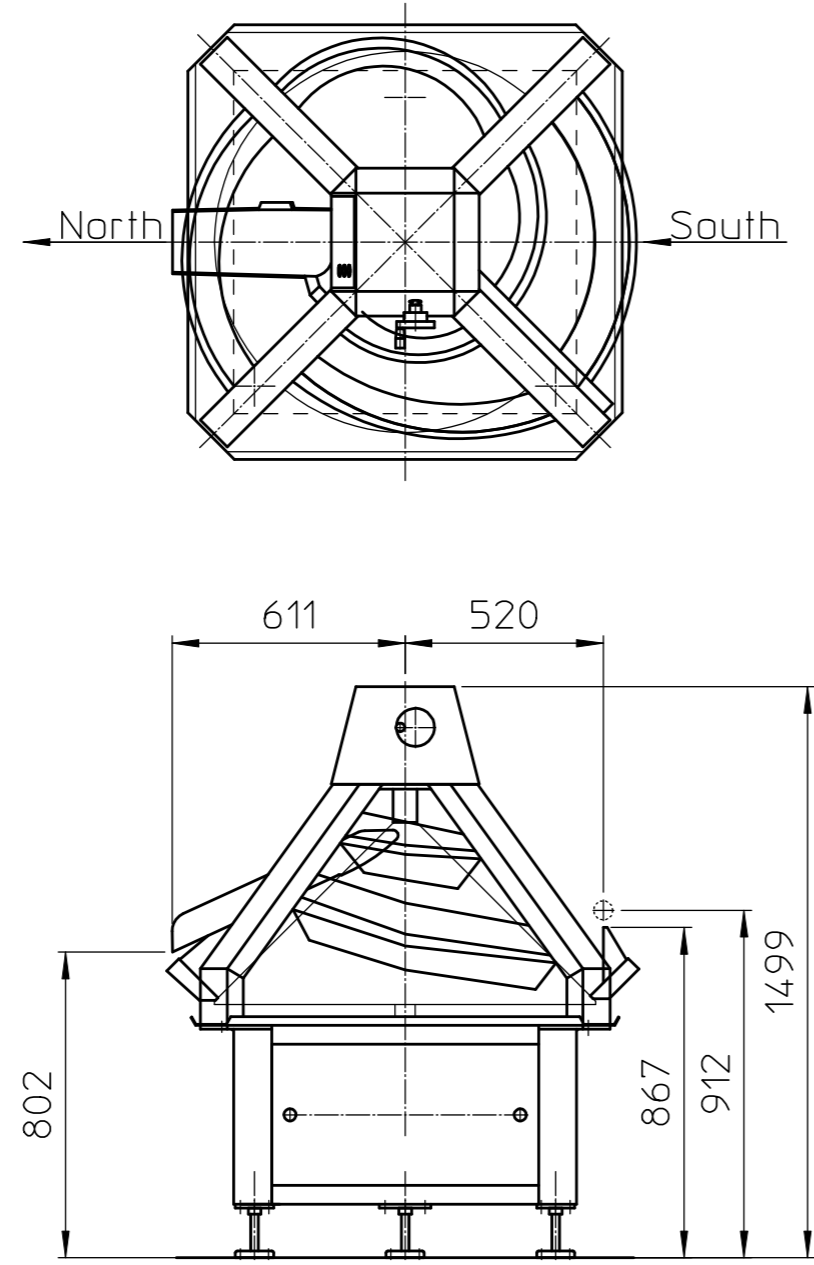


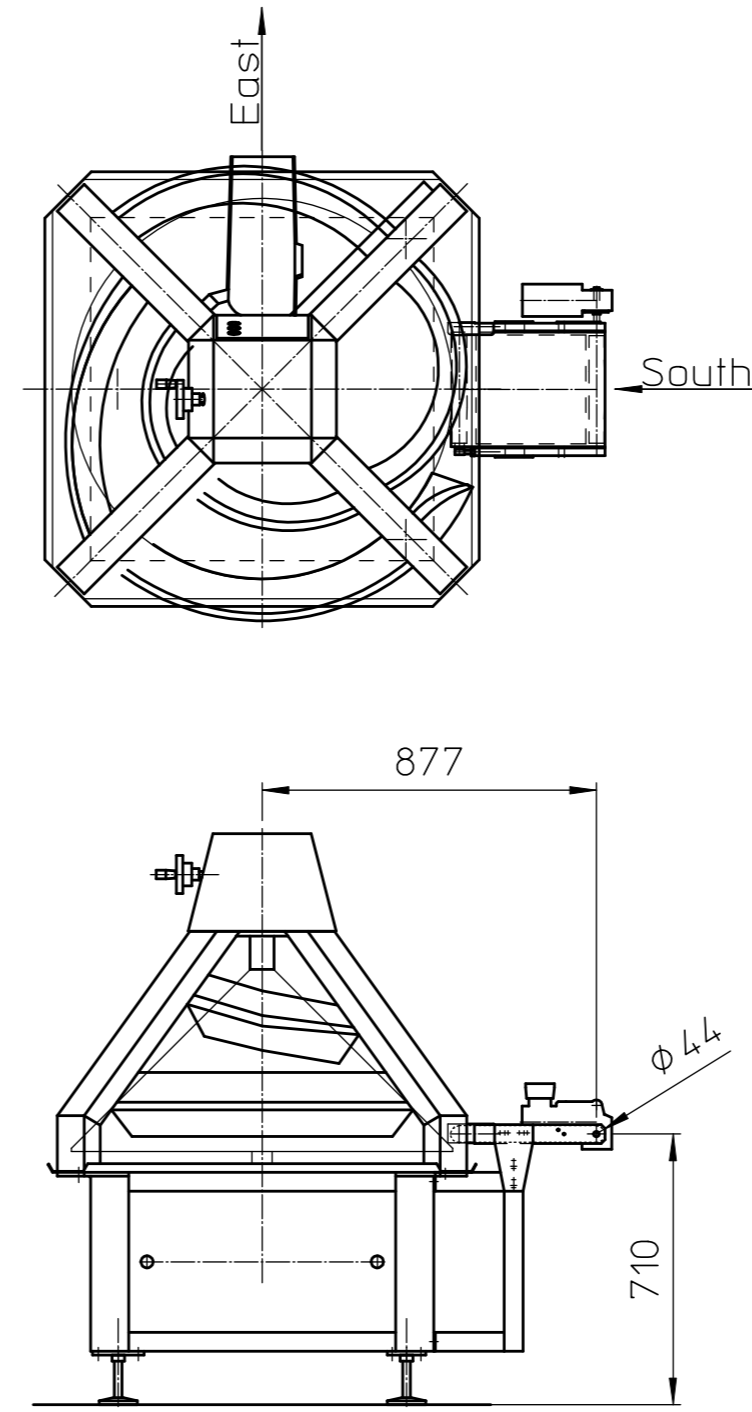
Example south-west with discharge chute



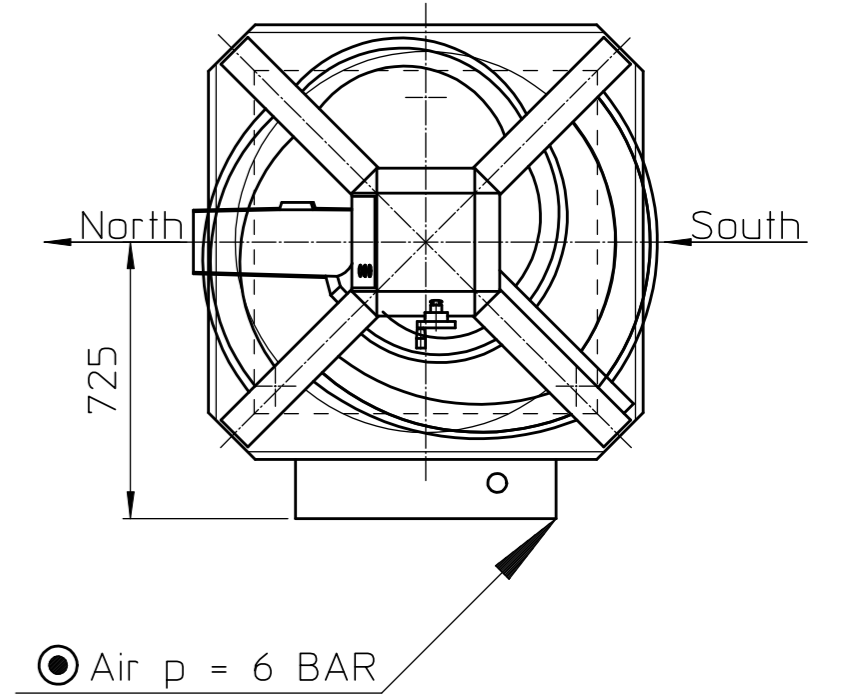
Example south-north with discharge chute



Example south-east with infeed conveyor and discharge chute

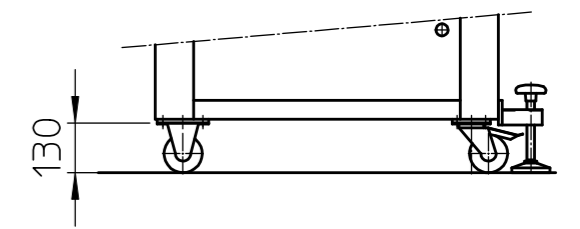


Example with option oil greasing

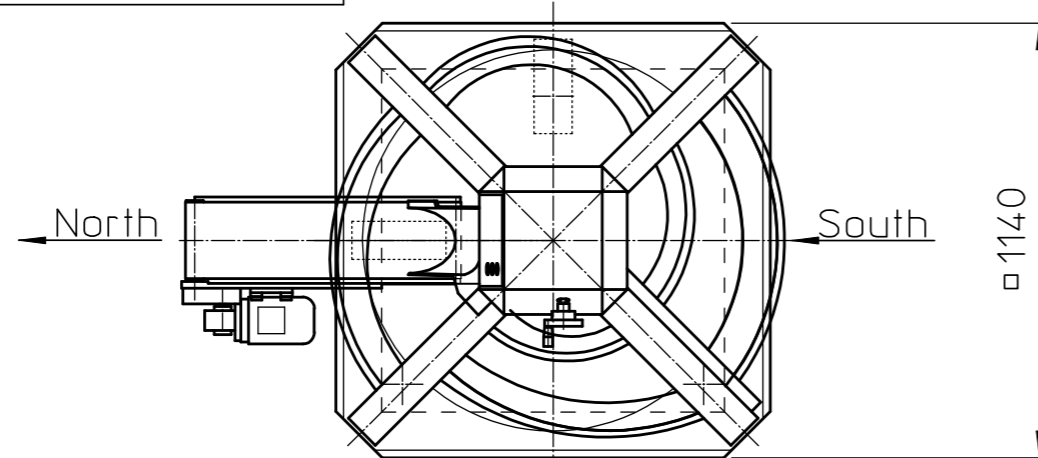


Rev	Changes	Date
eco		
01	outfeed conveyor changed	2008-11-12
F. Lee		

Example with option wheels

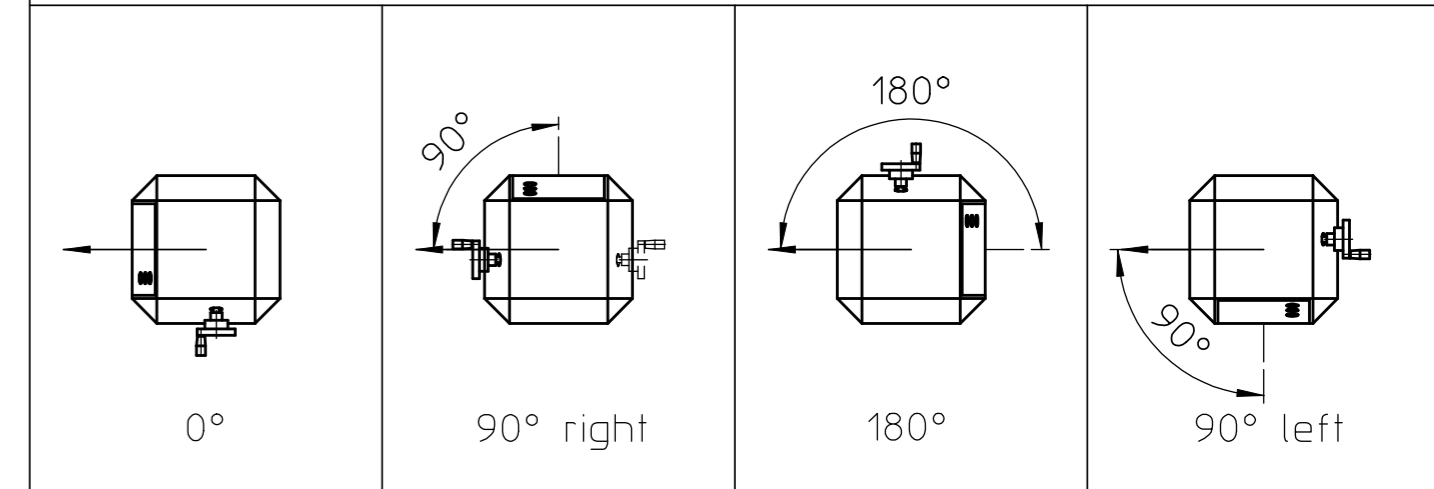


Example south-north with outfeed conveyor and fans

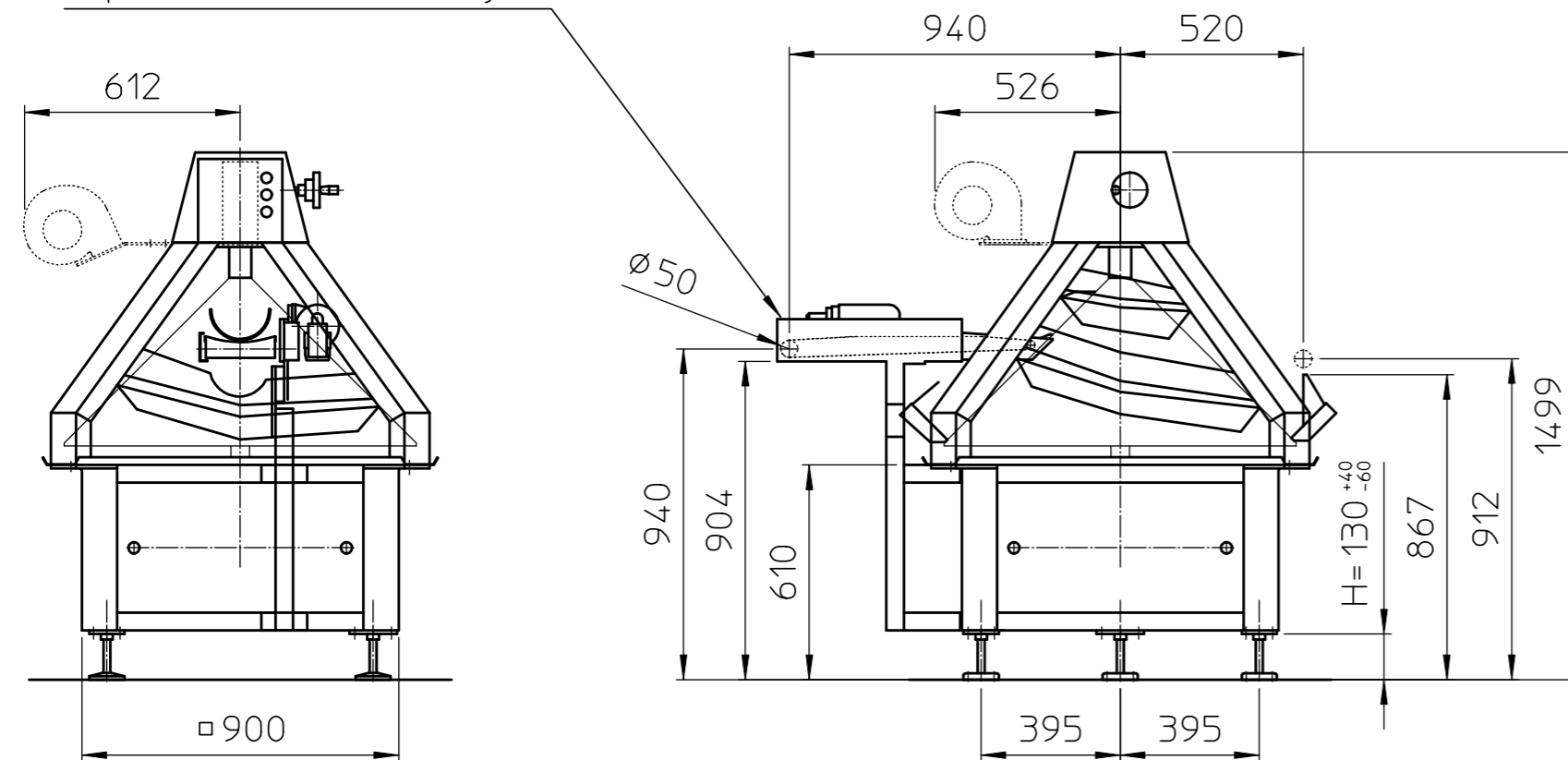


⚡ 3N ~ 400V - 50Hz + ⊕
P = ± 1kW

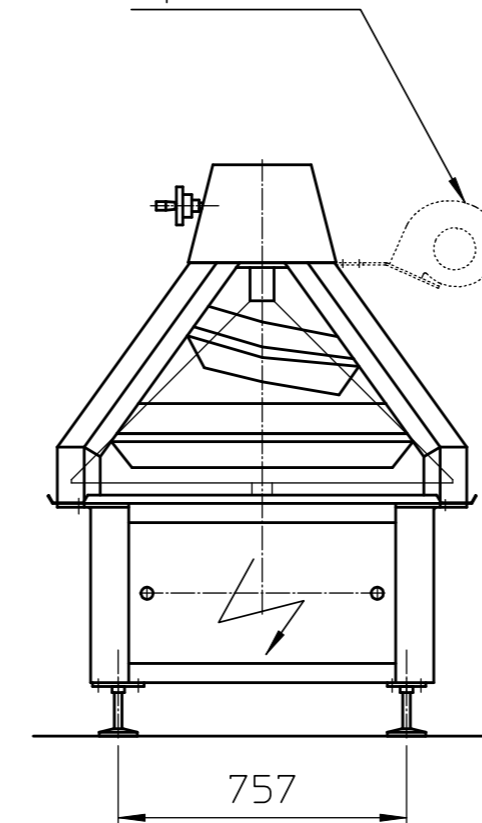
Electrical control positions in relation with outfeed



Option outfeed conveyor



Option fan



FOR APPROVAL BENIER NEDERLAND B.V.		FOR APPROVAL CUSTOMER	
SIGNATURE:	DATE:	DATE:	DATE:

<p>AM. PROJ.</p>	DIMENSIONS IN MM	DERIVATED FROM: 56600006	REFERENCE: Weight 375 kg
	DRAWN BY: F. Lee CHECKED BY:	DATE: 2006-06-30 DATE:	DESCRIPTION: ALLROUND CODE: 99305030 REV.: 01
SCALE: 1:20	A2		