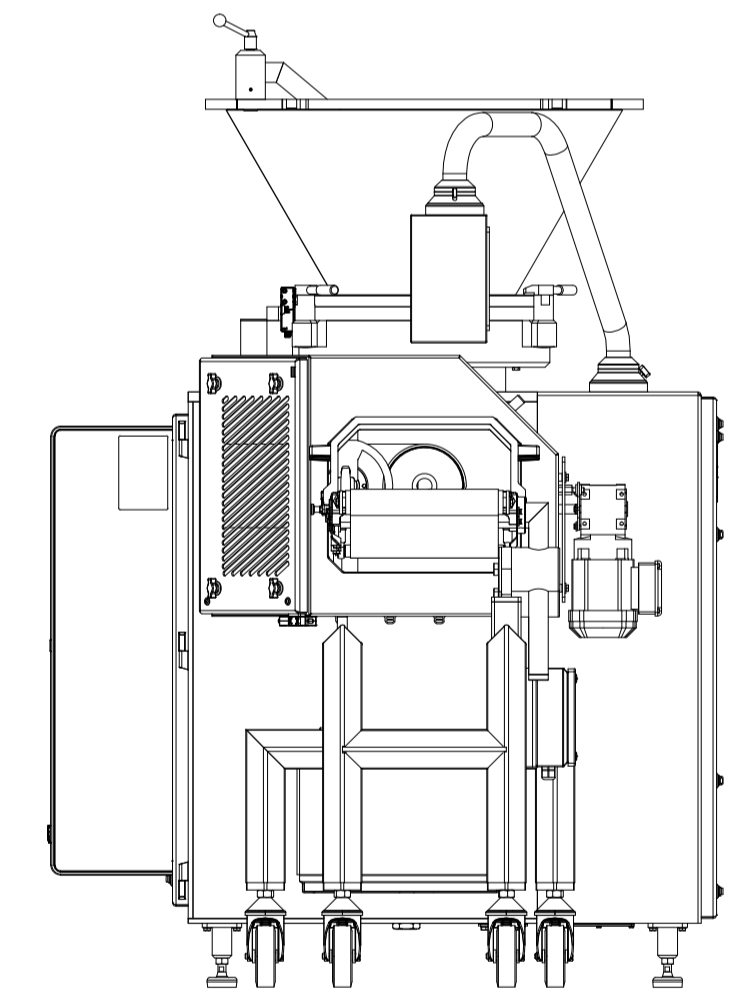
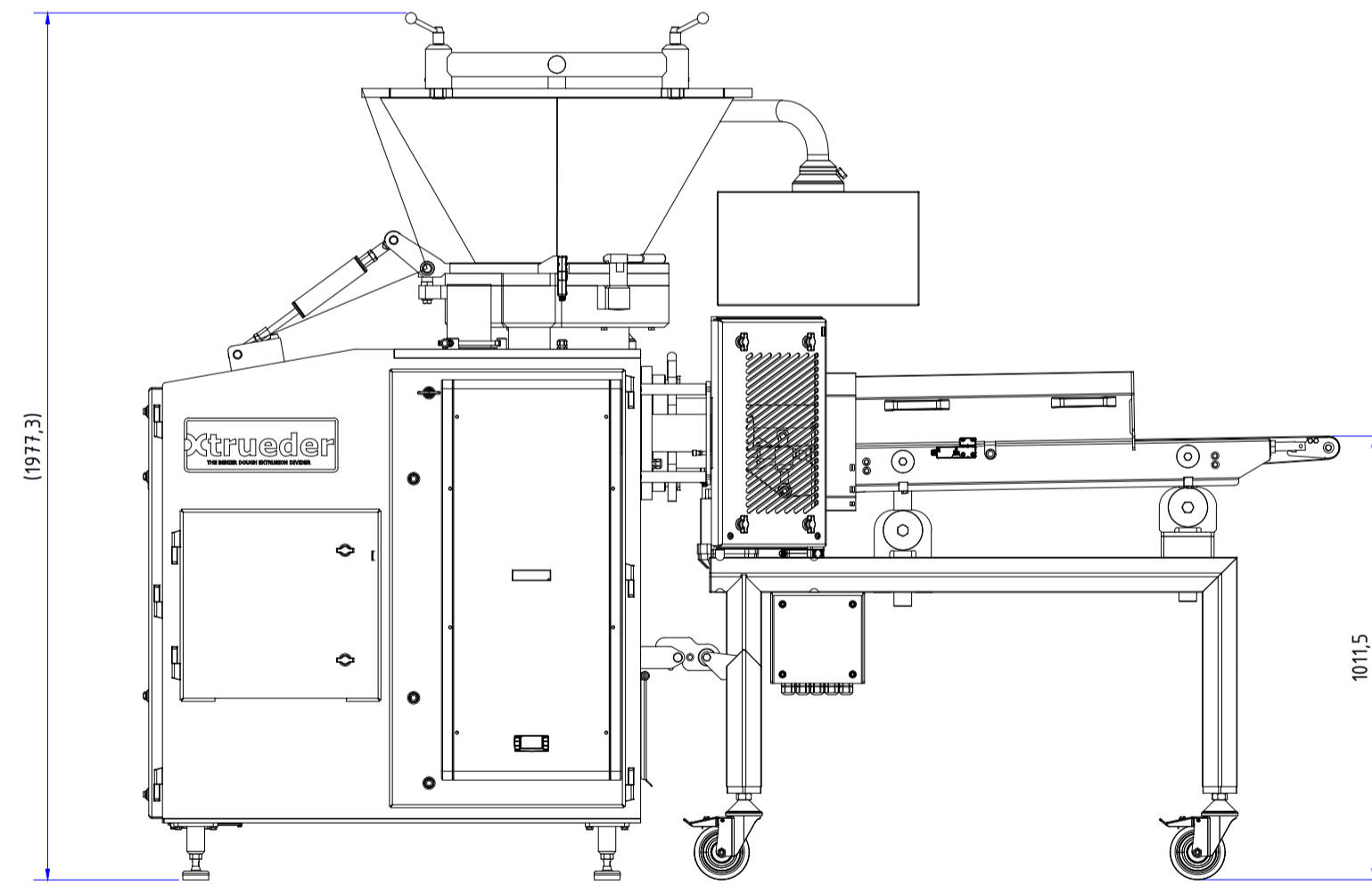
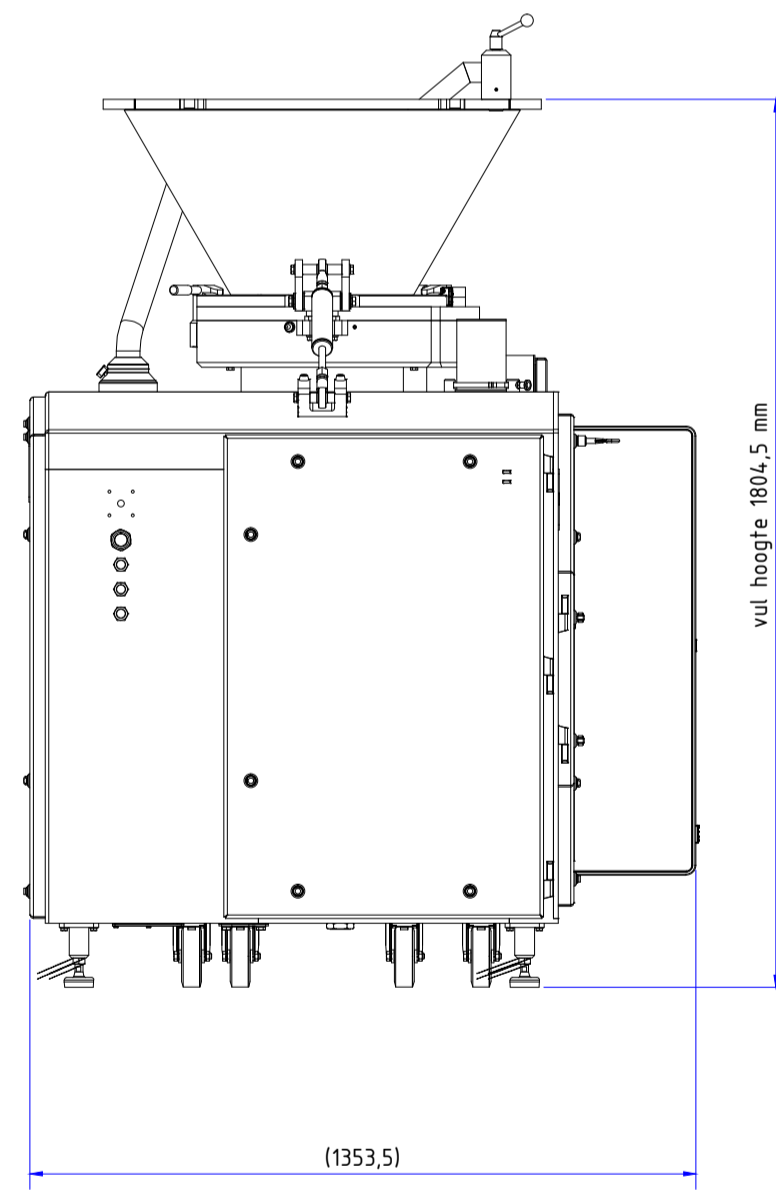
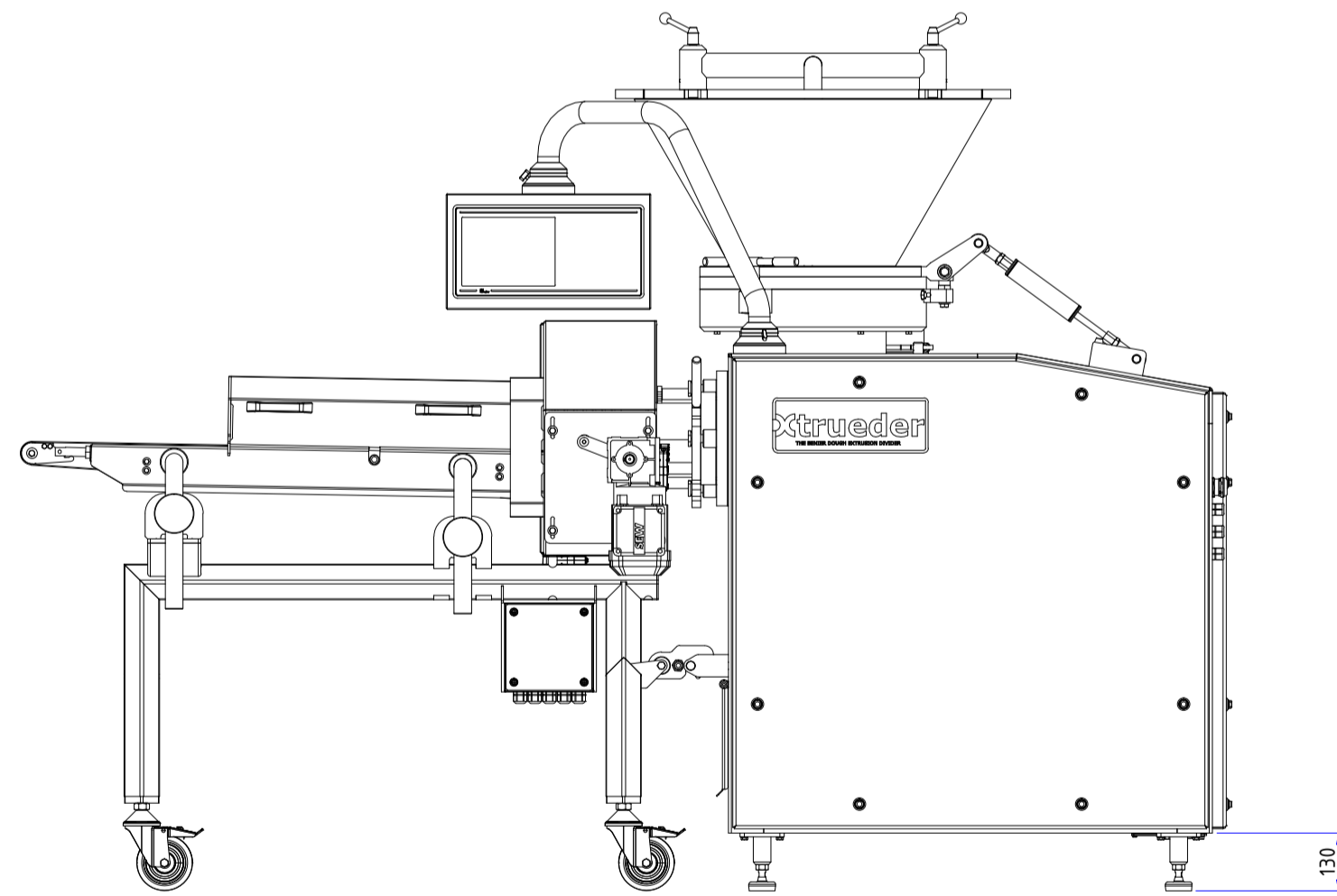
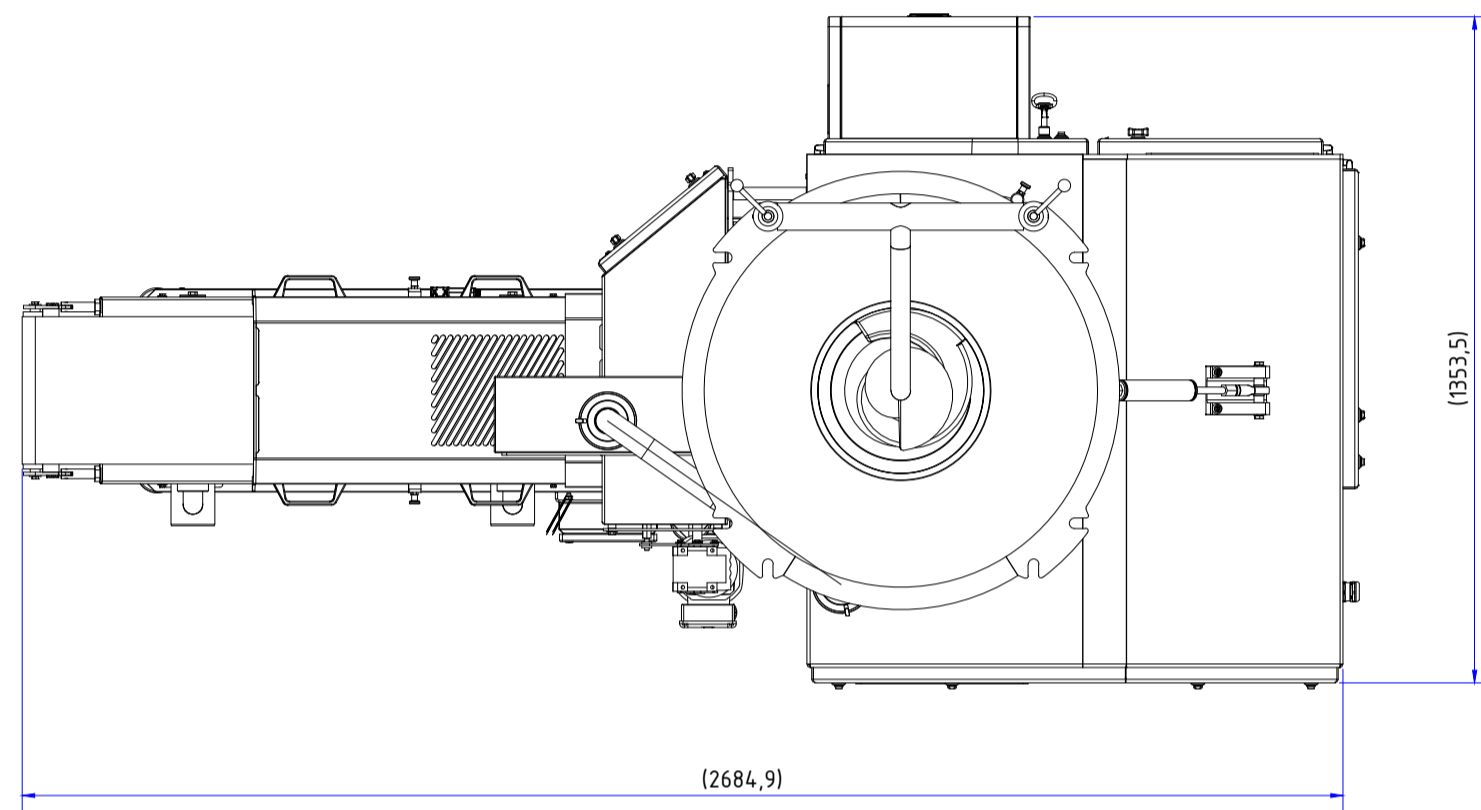


AST-010663-XTrueder_DWG-0206483.dwg

Rev	Modified	Description	Date
00	-	-	22/01/2018



Stock No.	Material	Length	Width	Mass/A												
<table border="1"> <tr> <td>STANDARD ON OPERATOR INLETS CHECKED</td> <td>IN OR WHEELS</td> <td>DRUMS WALKS IN</td> <td>REMARKS</td> </tr> <tr> <td>LDI LABEL CODE AND</td> <td>ABOUT CODE AND</td> <td>DRUMS SPEL</td> <td>REMARKS</td> </tr> <tr> <td>IN</td> <td>8.83 mm</td> <td>8.83 mm</td> <td>REMARKS ALL BARRS</td> </tr> </table>					STANDARD ON OPERATOR INLETS CHECKED	IN OR WHEELS	DRUMS WALKS IN	REMARKS	LDI LABEL CODE AND	ABOUT CODE AND	DRUMS SPEL	REMARKS	IN	8.83 mm	8.83 mm	REMARKS ALL BARRS
STANDARD ON OPERATOR INLETS CHECKED	IN OR WHEELS	DRUMS WALKS IN	REMARKS													
LDI LABEL CODE AND	ABOUT CODE AND	DRUMS SPEL	REMARKS													
IN	8.83 mm	8.83 mm	REMARKS ALL BARRS													
<table border="1"> <tr> <td> </td> <td> DRAWN BY: PMP DATE: 22/01/2018 CHECKED BY: A0 SCALE: 1:100 </td> <td> DESCRIPTION: XTrueder XTrueder Standard CODE: </td> <td> REV: 00 </td> </tr> </table>						DRAWN BY: PMP DATE: 22/01/2018 CHECKED BY: A0 SCALE: 1:100	DESCRIPTION: XTrueder XTrueder Standard CODE:	REV: 00								
	DRAWN BY: PMP DATE: 22/01/2018 CHECKED BY: A0 SCALE: 1:100	DESCRIPTION: XTrueder XTrueder Standard CODE:	REV: 00													