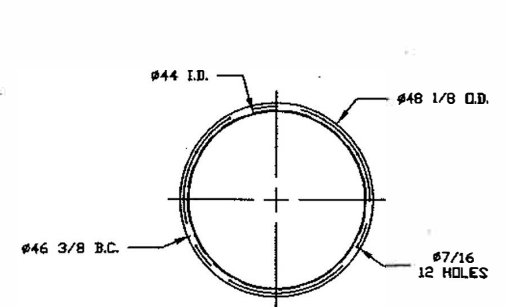
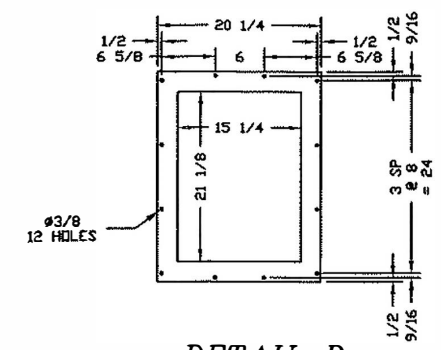


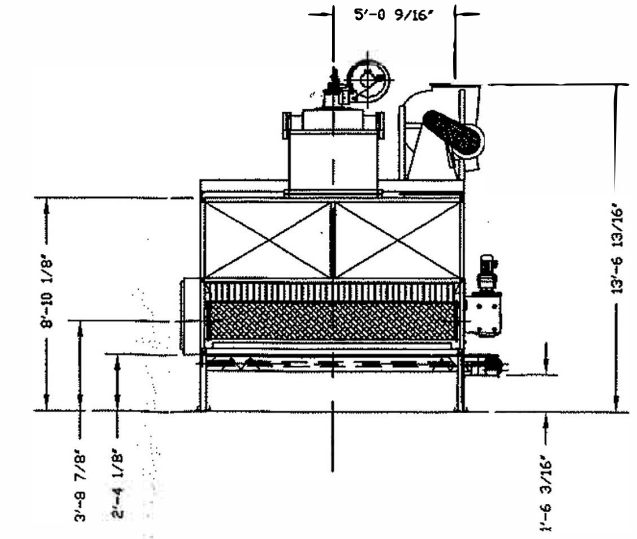
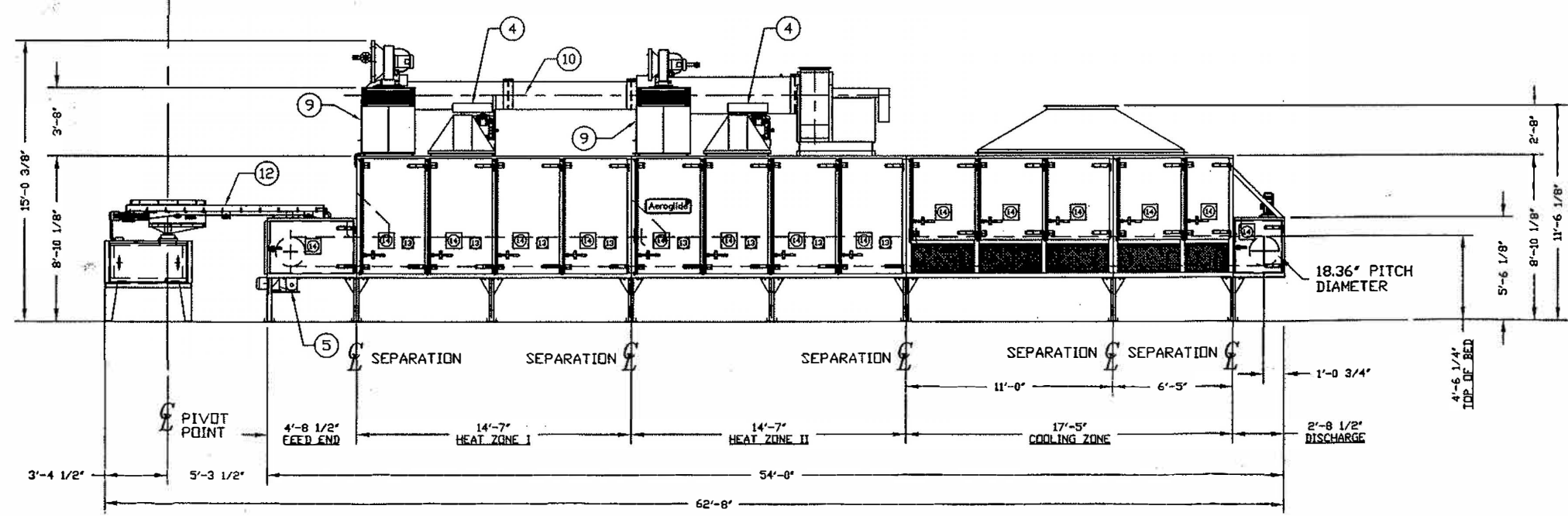
ASSEMBLY NUMBER AND QUANTITY FOR ONE UNIT	ITEM NO.	MATL SPEC OR PART NO.	DESCRIPTION	W	L	NLR	DWG. ASS'Y OR ITEM NO.
			PARENT ASSEMBLY				D019-17-0080-044
	1		INSTALLATION ASSEMBLY FOR A C1-120-78 RGCE				D019-17-0080-044-01
	1		GENERAL ASSEMBLY				B019-17-0001-028-01
	1		BED DRIVE INSTALLATION ASSEMBLY				D019-17-0090-168-01
	2		PLUG FAN INSTALLATION ASSEMBLY				B019-17-0007-006-01
	1		SCREW CONVEYOR INSTALLATION ASSEMBLY				C019-17-0192-001-01
	1		LEG INSTALLATION ASSEMBLY				D019-17-0010-047-01
	1		LIFTING PLATE INSTALLATION				D019-17-0117-001-01
	3		LIFTING PLATE INSTALLATION (REMOVABLE)				D019-17-0117-001-02
	1		BURNER CHAMBER INSTALLATION				D019-17-0053-017-01
	1		EXHAUST DUCT INSTALLATION ASSEMBLY				D019-17-0008-087-01
	1		INSTRUMENTATION ASSEMBLY				D019-17-0175-036-01
	1		OSCILLATING BELT FEEDER ASSY				D027-48-0001-433-01
	16	100-8330	LABEL-HOT SURFACE PICTOGRAM 7 X 7				D019-17-0080-044/13
	33	100-8939	LABEL ENTANGLEMENT PICTOGRAM 10X10				D019-17-0080-044/14
	100	L 15 01-0233	BOLT HK HD 3/8-16 X 1-1/4 GR2 ZN				D019-17-0080-044/15
	100	L 16 01-0014	NUT HK 3/8-16 GR2 ZN				D019-17-0080-044/16
	100	L 17 01-0622	WASHER FL USS 3/8 GR2 ZN				D019-17-0080-044/17
	100	L 18 01-0636	WASHER LOCK HCL SPR 3/8 MED GR2 Z				D019-17-0080-044/18
	10	L 19 02-1211	ADHESIVE RTV CLEAR 500F 10.3 OZ C				D019-17-0080-044/19
	5	GL D 20 35-0169	P-ALKYDIO, SLVR BRITE ALUMNM LOW TEMP				D019-17-0080-044/20



DETAIL C
SCALE = 2X
COOLING EXHAUST



DETAIL D
SCALE = 4X
HEATING EXHAUST



SH	8	7	6	5	4	3	2	1		
TOLERANCES UNLESS NOTED FRACTION ±1/16 DECIMAL ±0.015 SURFACE FINISH NOTE UNLESS OTHERWISE SPECIFIED FINISH HEIGHT ON ALL MACHINED SURFACES SHALL NOT EXCEED 125 MICRO-INCHES ALL DIMENSIONS ARE IN INCHES EXCEPT AS NOTED				COPYRIGHT © AEROGlide CORP. ALL RIGHTS RESERVED. CONTENTS OF THIS DRAWING ARE THE EXCLUSIVE PROPERTY OF AEROGlide CORP. AND MAY NOT BE USED FOR ANY PURPOSE OTHER THAN THAT WHICH SUBMITTED, NOR DIVULGED TO ANY THIRD PARTY WITHOUT ITS EXPRESS WRITTEN PERMISSION.		DRAWN <i>REW</i> 11/25/02 DESIGN <i>REW</i> 11/25/02 CHECK APPROVED SCALE 1/4"=12"		Aeroglide Corporation TELEPHONE (919) 851-2000 P.O. BOX 29505 FAX (919) 851-6029 RALEIGH, NORTH CAROLINA 27626 TITLE: INSTALLATION ASSEMBLY for a C1-120-54 RGCE DRIER / COOLER		JOB NO. REF NO. DRAWING NUMBER D019-17-0080-044