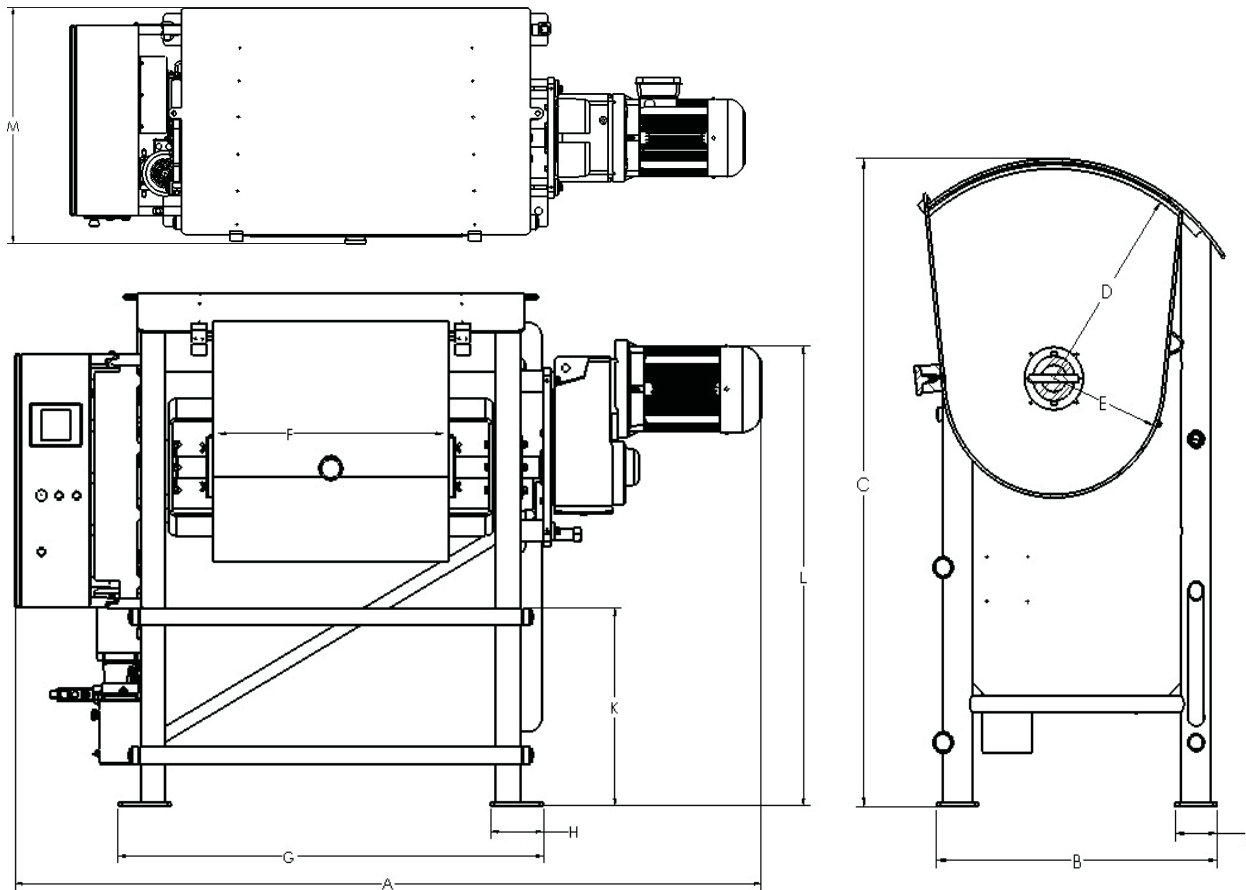


Pioneer Mixer Specification Sheet (Imperial)



Dimensions (Inches)

	A	B	C	D	E	F	G	H	J	K	L	M	N
PP300HS	98	33.5	72.75	24	13	24	52.5	7.5	5	28	65.25	36.75	45
PP340SD	98	33.5	72.75	24	13	24	52.5	7.5	5	28	65.25	36.75	45
PP400HS	106	33.5	72.75	24	13	32	60.5	7.5	5	28	65.25	36.75	45
PP450SD	106	33.5	72.75	24	13	32	60.5	7.5	5	28	65.25	36.75	45
PP400PA	106	33.5	72.75	24	13	32	60.5	7.5	5	28	65.25	36.75	45
PP450FW	106	33.5	72.75	24	13	32	60.5	7.5	5	28	65.25	36.75	45
PP500HS	106	39.5	79.75	26	16	32	61	7.5	5	30	71.5	43.5	45.5

Dimensions are for reference only. Due to the continuous effort of Peerless Engineering to improve performance, dimensional data and specifications are subject to change without notice.



Pioneer Mixer Specification Sheet (Imperial)

Specifications

Model	Mixing Capacity (Pounds)	Working Volume Cu. Ft.	Drive Motor H.P.	Total Load (KVA)	Single Cylinder Tilt Motor H.P.	Net Weights (lbs.)	Approx. Shipping Weight (lbs.)
PP300HS	300	8.4	15.0	16	1	3,000	3,250
PP340SD	340	8.4	10.0	11	1	3,000	3,250
PP400HS	400	11.2	20.0	21	1	3,300	3,550
PP450SD	450	11.2	15.0	16	1	3,300	3,550
PP400PA	400	11.2	15.0	16	1	3,300	3,550
PP450FW	450	11.2	15.0	16	1	3,300	3,550
PP500HS	500	16.9	25.0	26	1	4,000	4,250
PP700SD	700	16.9	20.0	21	1	4,000	4,250



Pictured here is model PP450FW

