



WP Kemper President 150

Quantities

150 kg Flour
240 kg Dough
350 l

Drive capacity

Spiral 12/20 kW
Bowl 2 x 0,375 kW
Hydraulic 0,75 kW

Fusing

50 Amp / On site

Extras

Temperature sensor PT 100
Revolution counter
Touch Panel "Mono" or "Colour"
Stainless steel machine body
Bowl scraper
Multi-Phase control
CO² Cooling
Drain hole for bowl
Water supply
Energy meter

WP Kemper President 200

Quantities

200 kg Flour
320 kg Dough
450 l

Drive capacity

Spiral 22/35 kW
Bowl 2 x 0,75 kW
Hydraulic 2,2 kW

Fusing

80 Amp / On site

Extras

Temperature sensor PT 100
Revolution counter
Touch Panel "Mono" or "Colour"
Stainless steel machine body
Bowl scraper
Multi-Phase control
CO² Cooling
Drain hole for bowl
Water supply
Energy meter

WP Kemper President 250

Quantities

250 kg Flour
400 kg Dough
630 l

Drive capacity

Spiral 22/35 kW
Bowl 2 x 0,75 kW
Hydraulic 2,2 kW

Fusing

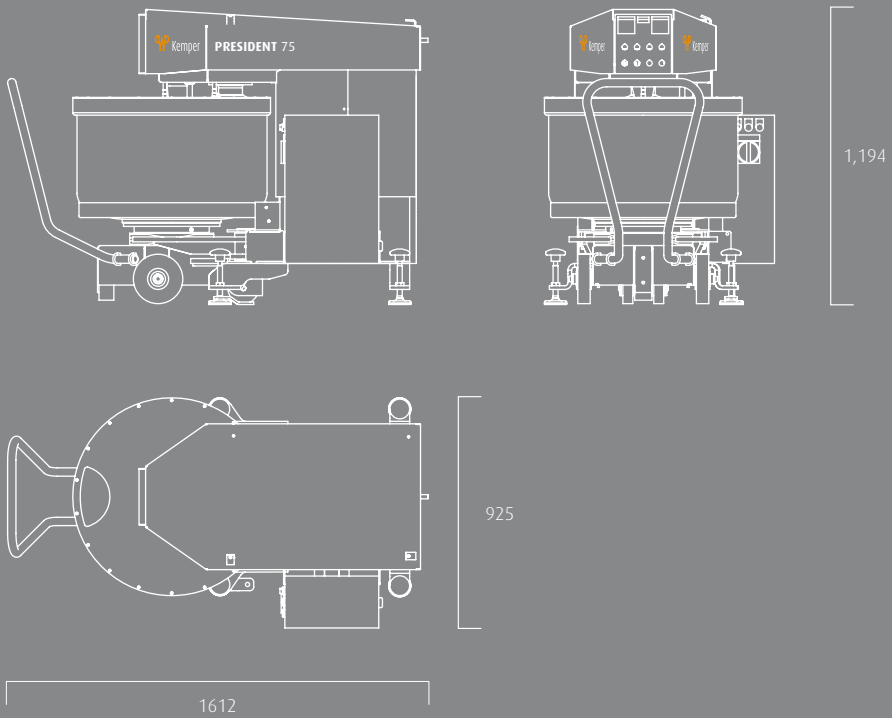
80 Amp / On site

Extras

Temperature sensor PT 100
Revolution counter
Touch Panel "Mono" or "Colour"
Stainless steel machine body
Bowl scraper
Multi-Phase control
CO² Cooling
Drain hole for bowl
Water supply
Energy meter

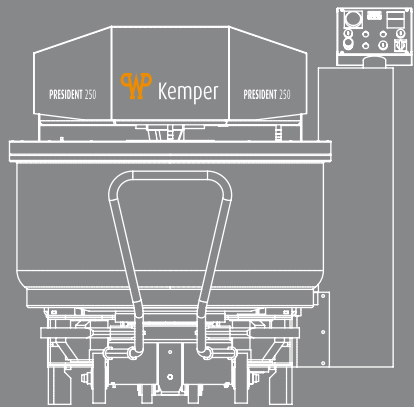
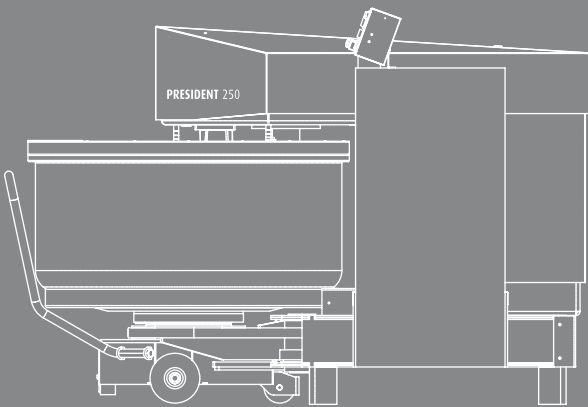
DIMENSIONS & WEIGHTS

PRESIDENT 75

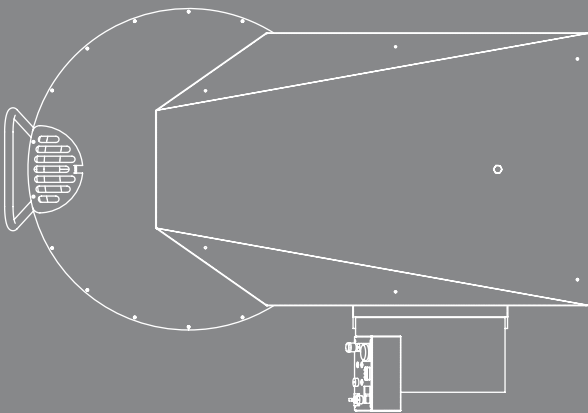


	Dimensions					
	P 75	P 100	P 125	P 150	P 200	P 250
Length	1,655	1,905	1,905	1,925	2,355	2,355
Width	925	1,150	1,150	1,200	1,540	1,540
Height	1,195	1,265	1,265	1,200	1,535	1,535
Head raised	1,655	1,790	1,790	1,740	2,145	2,145

PRESIDENT 250



1,588



1,612.5

2,351.1

Dimensions in mm.

	Gewicht					
	P 75	P 100	P 125	P 150	P 200	P 250
Machine and bowl	650	1,200	1,200	1,100	2,500	2,500
Additional bowl	120	180	180	180	350	350