

# Model 42N Ribbon Blender Specifications and Dimensions

## STANDARD FEATURES:

- 1/2 through 515 cubic feet capacity
- Stainless steel wetted parts
- Ribbon agitator for center discharge
- Designed for atmospheric operation
- 80 grit finish on interior and exterior stainless steel surfaces
- Two piece covers from 10 to 515 cu. ft. for charging of raw materials with neoprene gaskets
- Safety limit switches to prevent operation when covers are raised
- Stuffing boxes with easily disassembled split housing
- Teflon braided packing
- Manually operated knife gate discharge valve
- All exterior non-stainless surfaces are painted with a white two-part epoxy coating
- Single speed drive
- 230/460 volt, 60 Hz, three phase, TEFC motors (see options for starters and controls)
- Blender is mounted on supports providing a discharge clearance of 36"
- Blender suitable for 50 lbs. per cu. ft.

## OPTIONAL FEATURES:

- Wetted parts of carbon steel, stainless steel type 316 and special alloys
- Continuous ribbon agitator for end discharge, interrupted ribbon for higher density materials, paddles for full or partial loads
- Vacuum or pressure construction
- Sanitary type construction
- Cover openings as required
- Spherical, Flush Type Ball and paddle discharge valves
- Horsepower to suit higher density materials
- Explosion-proof or washdown motors and controls
- Controls such as inverters, motor starters, and operator stations are available
- Electronic or mechanical soft start control systems
- Spray nozzles for liquid introduction
- Lumpbreakers for solids or agglomerates size reduction
- Dimpled or baffled jackets for heating or cooling
- Thermocouples for temperature readout
- Special gasket materials such as Viton are available
- Lantern rings for stuffing boxes

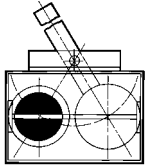


**CHARLES ROSS & SON COMPANY**

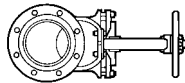
P.O. Box 12308, 710 Old Willets Path, Hauppauge, NY 11788 • Fax: 1-631-234-0691 • Tel: 1-631-234-0500

Website: [www.mixers.com](http://www.mixers.com) • Email: [sales@mixers.com](mailto:sales@mixers.com)

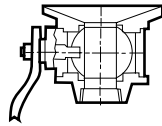
# Model 42N Ribbon Blender Specifications and Dimensions



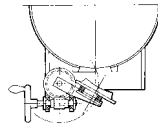
*Standard Slide Paddle Valve available for manual or pneumatic operation.*



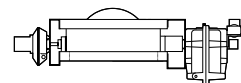
*Optional Slide Gate Valve – ideal for dust-tight, liquid-tight, or vacuum-tight operation.*



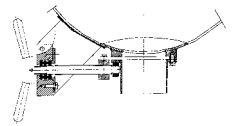
*Optional Ball Valve – For vacuum/pressure blending or liquid/ solid blending.*



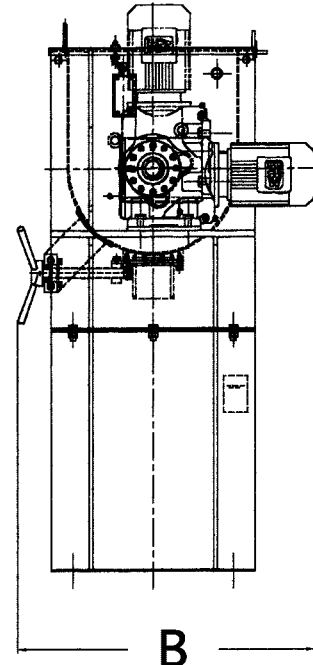
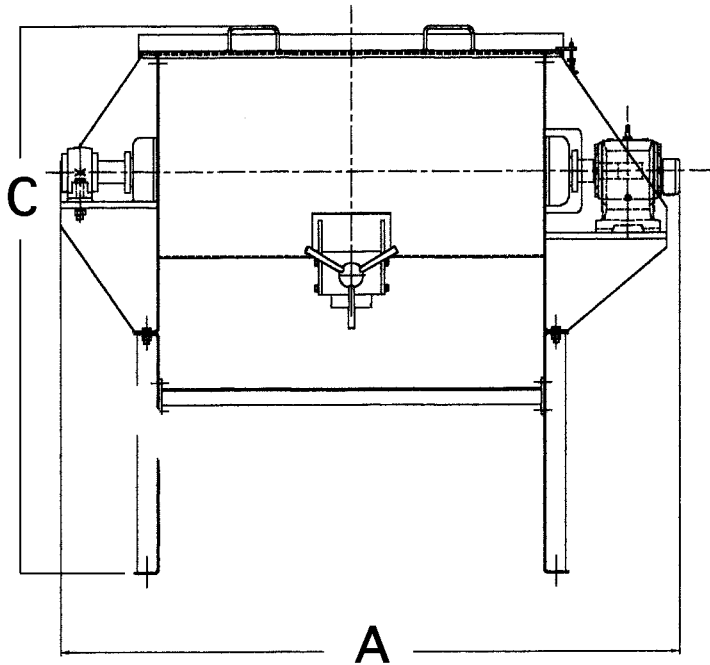
*Optional Flush Plug Valve – equipped for manual or pneumatic operation, the Flush Plug Valve eliminates dead spots in the Ribbon Blender trough.*



*Optional Spherical Valve – pneumatically operated, this valve minimizes dead space and provides a large discharge opening.*



*Optional Slide Knife Gate Valve – manually operated.*



Model Number	Working Capacity		Full Capacity		Motor HP	Agitator RPM	Trough Size			Overall Dimension			Shipping Wt. Lbs.
	Cu. Ft.	Gal.	Cu. Ft.	Gal.			Width	Length	Depth	A	B	C	
42N-1/2	1/2	3-1/2	1	4 1/2	3/4	100	9	16	11	42	25	51	300
42N-1	1	7	1.3	9	3/4	80	12	20	14	43	26	54	350
42N-5	5	37	7	52	5	70	17	38	21	68	37	64	800
42N-10	10	74	13	94	7 1/2	58	21	48	25	79	40	68	1200
42N-18	18	134	22	165	7 1/2	50	24	60	29	94	41	72	1500
42N-25	25	187	30	224	10	42	29	60	33	96	47	76	2300
42N-36	36	269	41	307	20	40	30	78	34	115	47	78	2800
42N-52	52	388	56	424	20	36	34	84	38	119	51	84	3900
42N-62.5	62.5	465	72	540	25	32	36	96	40	142	47	86	4600
42N-71	71	530	80	598	25	32	38	96	42	144	51	88	5200
42N-80	80	598	90	673	30	32	38	108	42	152	51	88	6000
42N-100	100	748	110	825	30	30	40	120	44	166	56	92	6600
42N-120	120	897	132	988	40	28	44	120	48	166	60	96	8000
42N-155	155	1159	168	1263	50	24	50	120	54	166	65	102	3900
42N-180	180	1345	195	1459	50	22	54	120	58	166	67	106	10200
42N-215	215	1610	235	1756	60	20	54	144	58	190	70	106	12500
42N-270	270	2017	300	2241	60	20	60	144	66	203	75	114	12750
42N-325	325	2427	355	2651	75	20	66	144	72	203	77	120	14025
42N-385	385	2876	425	3175	75	15	72	144	78	203	85	120	15300
42N-515	515	3847	565	4220	75	15	72	195	78	254	86	126	20500