

BE-FRKM



FORK MIXER



**BEcom**
bakeryequipment.com

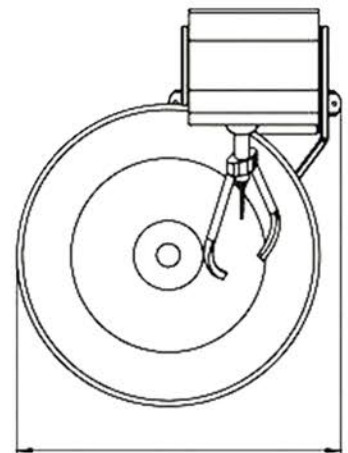
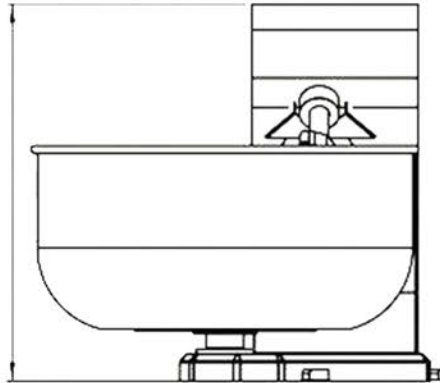
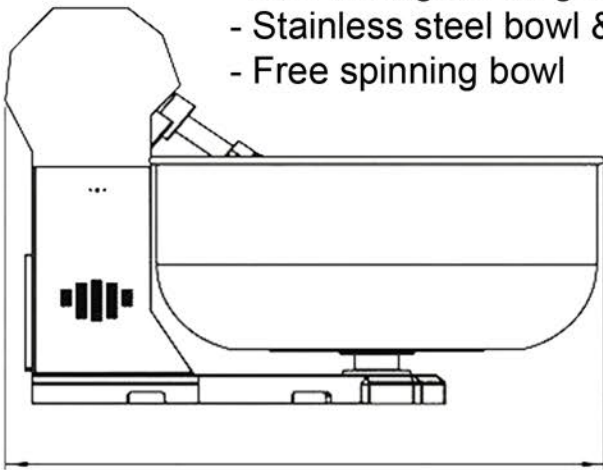


FORK MIXER

The BEcom fork mixer is more of a traditional European style mixer. It is especially popular for pizza, bread and pasta doughs. The BEcom fork mixer operates with smooth movements that stimulate hand kneading. The gentle kneading keeps the dough from overheating. Our fork mixers are available in various sizes to fit your needs.

Features

- Two fixed speeds & 3-pronged mixing arm
- See through bowl guard with safety interlock
- Stainless steel bowl & dough contact surfaces
- Free spinning bowl



MODEL	DEPTH	WIDTH	HEIGHT	WEIGHT	POWER	HP	BOWL DIAMETER	FLOUR CAPACITY
BE-FRKM-60	39"	33"	33"	401 lbs	208V - 3Ph 60Hz - 2.8 AMPS	1.02	24"	52 lbs
BE-FRKM-70	44"	37"	35"	428 lbs	208V - 3Ph 60Hz - 2.8 AMPS	1.49	28"	88 lbs
BE-FRKM-75	46"	38"	36"	461 lbs	208V - 3Ph 60Hz - 3.9 AMPS	1.49	30"	110 lbs
BE-FRKM-85	51"	43"	40"	688 lbs	208V - 3Ph 60Hz - 3.9 AMPS	2.04	33"	165 lbs
BE-FRKM-90	52"	41"	42"	699 lbs	208V - 3Ph 60Hz - 5.7 AMPS	3	35"	220 lbs
BE-FRKM-100	58"	46"	48"	1027 lbs	208V - 3Ph 60Hz - 7.8 AMPS	4.08	39"	331 lbs
BE-FRKM-110	63"	48"	47"	1058 lbs	208V - 3Ph 60Hz - 10.5 AMPS	5.44	43"	441 lbs
BE-FRKM-120	67"	51"	49"	1213 lbs	208V - 3Ph 60Hz - 14.5 AMPS	7.48	47"	551 lbs
BE-FRKM-130	72"	54"	50"	1367 lbs	208V - 3Ph 60Hz - 19.6 AMPS	10.2-15	51"	661 lbs