

SPOT DEPOSITOR

UNIFILLER®

With its user-friendly, easy to use design, this versatile machine allows you to draw and deposit smooth products (without particulates) directly from a bowl or pail. The Spot Depositor can be fitted with several Unifiller attachments to create perfectly looking single-serve desserts or even be used for spraying syrup or as a mini transfer pump to fill your hoppers.

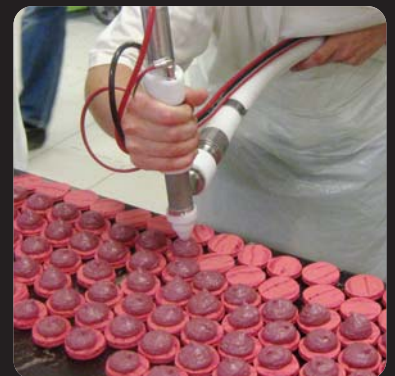


BENEFITS

- Fast, simple, clean and accurate deposits (with adjustable volumes)
- Allows depositing directly from the bowl or pail
- Quick product change over and clean-up

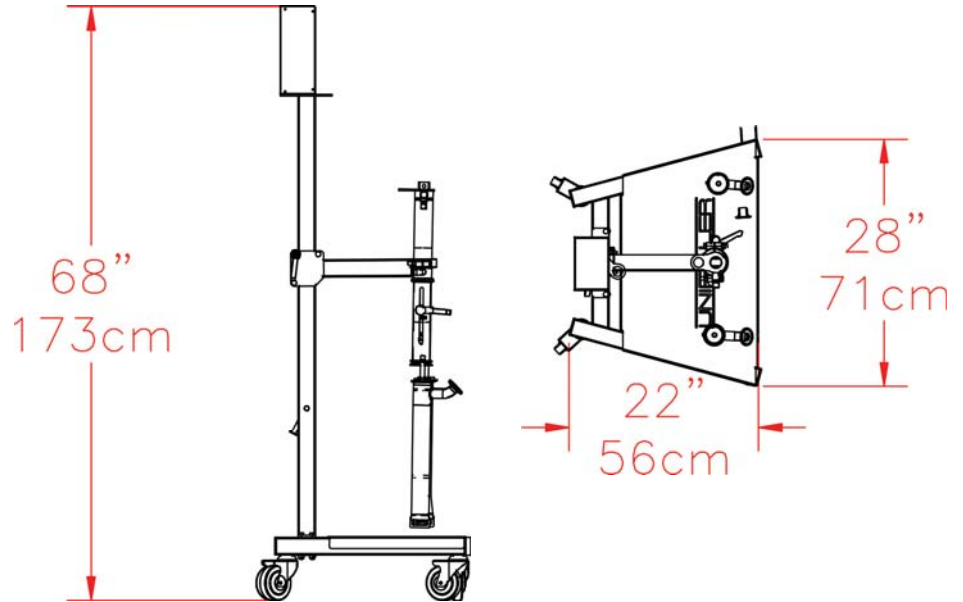
FEATURES

- Adjustable deposit volume
 - Including hand-held nozzle with food grade hose
 - Small footprint and 4" swivel castors making maneuverability a breeze
 - Interchangeable product cylinders
 - Sanitary, all-stainless steel construction
 - Use with a container with up to 18" (45 cm) depth (up to 80 quart Hobart bowl)
 - Optional pail shelf
-



UNIFILLER®

SPOT DEPOSITOR



Product cylinder size

Deposit volume

	Min	Max
2"	1 oz / 29.5 ml	7.5 oz / 221 ml
1.5"	0.5 oz / 15 ml	4 oz / 118 ml

Shipping information

Dimensions	63" x 23" x 13" 160 cm x 58 cm x 33 cm
Weight	200 lbs / 91 kg

SYSTEM INCLUDES

- Choice of product cylinder
- 1" hand-held nozzle with 5 feet (152 cm) food grade silicone hose
- Quick start guide and spare parts kit

SPEED

- Up to 100 deposits/min. (6000 deposits/hr.) based on portion size

POWER

- Air: 3 - 5 CFM at 80 psi (85 - 141,5 litres/min. at 5.5 bar)

PARTICLE SIZE

- Up to 6 mm cubic soft particulates (ask your sales rep.)

Unifiller Europe GmbH
Hofmattstr. 16
79541 Lörrach
Germany
Tel +49 7621 583 6310
Fax +49 7621 583 6318
www.unifiller-europe.com
info@unifiller-europe.com

