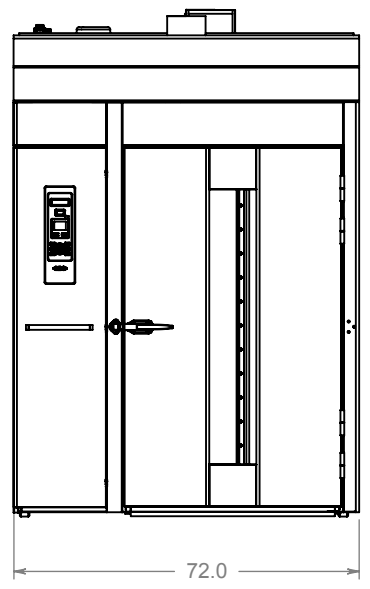
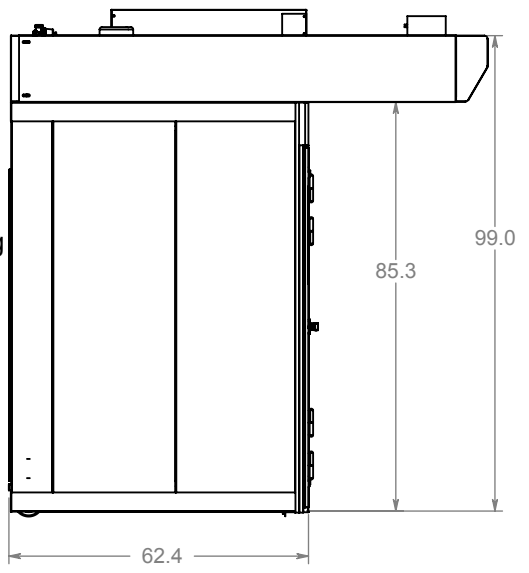
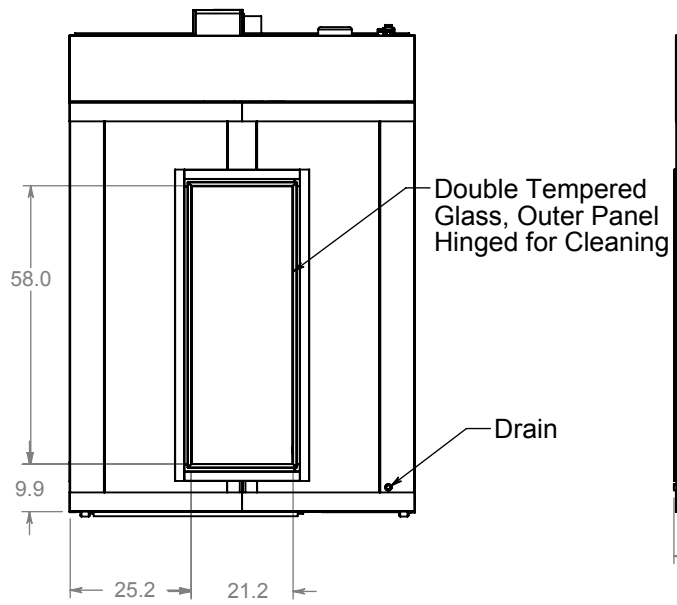
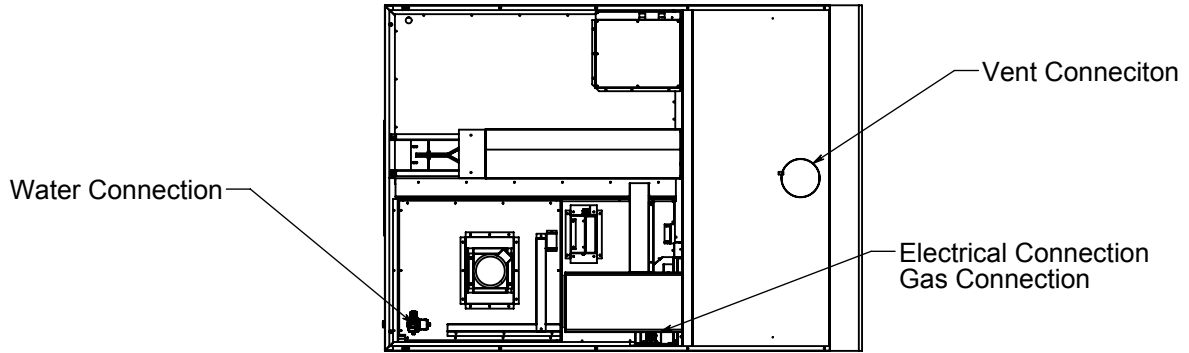


8 7 6 5 4 3 2 1

REVISIONS					
REV	DESCRIPTION	REV BY	REV DATE	CHK BY	CHK DATE

D  
C  
B  
A

D  
C  
B  
A



**LBC**  
Bakery Equipment  
Everett WA

UNLESS OTHERWISE SPECIFIED  
DIMENSIONS ARE INCHES.  
TOLERANCES ARE:  
DECIMALS ANGLES  
.X = ± .05 ±.5°  
.XX = ± .03  
.XXX = ± .015

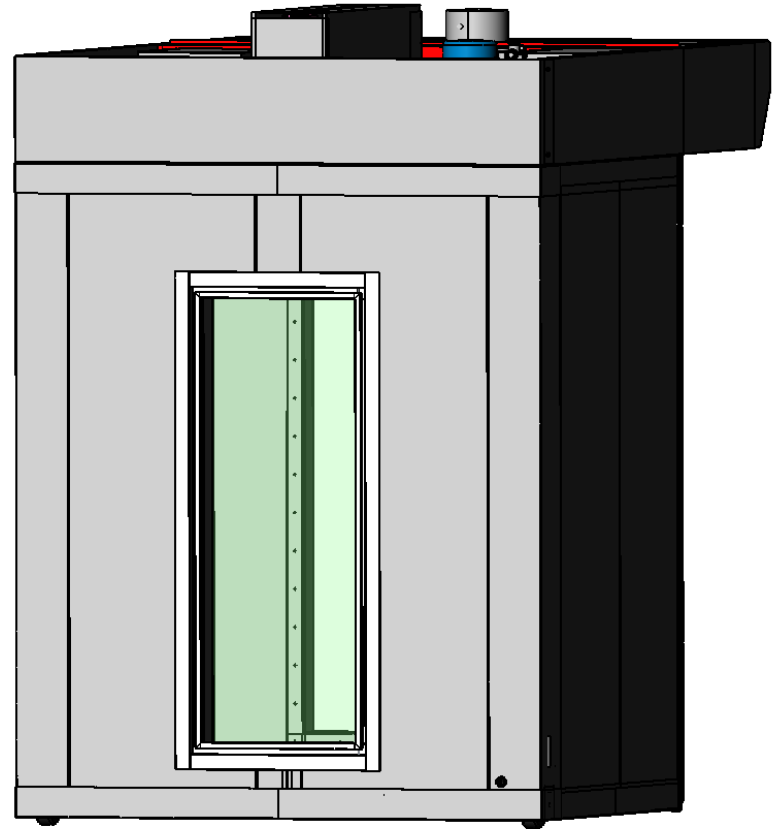
MATERIAL PART # :	MATERIAL TYPE :	BLANK DIMS. :	X	MODEL :
DWN. BY : SH	DWN. DATE : 2/26/2008	CHK. BY :	CHK. DATE :	APVD. BY :
DESCRIPTION : Double Rack Oven W/ Rear View Window			CAD FILE : 160-700RW	SHEET 1 OF 2
			DWG. NO : 160-700RW	REV : A

8 7 6 5 4 3 2 1

# LRO-2G with Rear Window Option



Front View



Rear View