



AM MANUFACTURING COMPANY

# SCALE O MATIC™ MODEL S300

DOUGH DIVIDER AND ROUNDER



Shown in operating position

©1992

- The Atwood Scale O Matic is a single pocket divider/rounder that will accurately divide over a broad range of sizes, then produce a round of unequalled quality, to the greatest variety of baked goods in the industry.



MANUFACTURING COMPANY

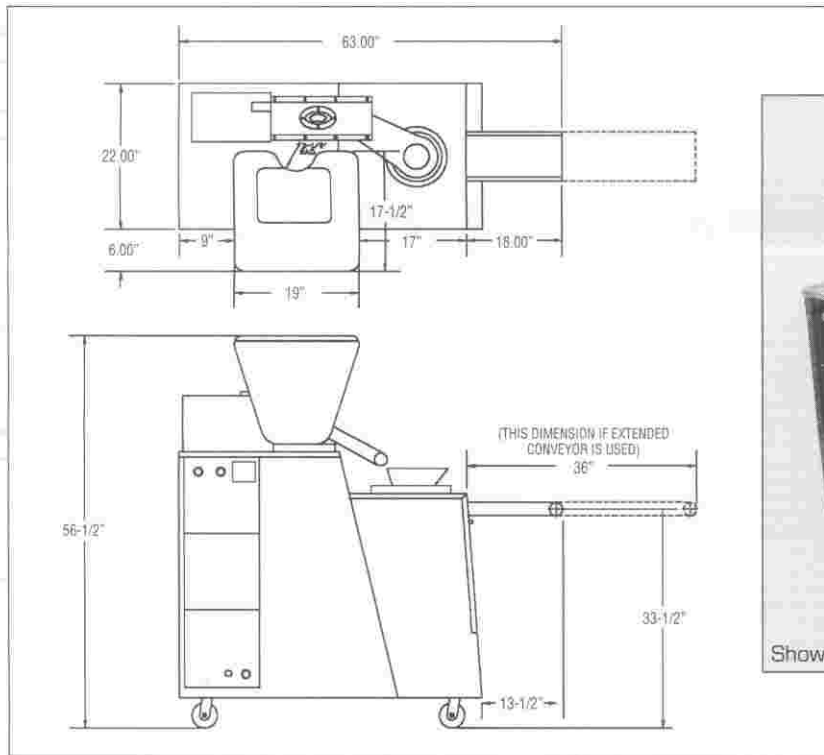
DISTRIBUTED BY:



AM MANUFACTURING COMPANY

# SCALE O MATIC™ MODEL S300

## DOUGH DIVIDER AND ROUNDER



Shown in storage position

©1992



### FEATURES

- Precise dividing from 2 to 32 oz. at a rate of 2000 pieces per hour
- Accurate weight change with the turn of a crank
- One man operation
- All stainless steel cabinet
- Easily movable on swivel casters
- Rounder easily disassembled for cleaning, no tools required
- 100 lb. hopper capacity
- Separate controls for divider & rounder
- Rounder can be used separately
- Adjustable height take off conveyor; folds up for storage

- No need to adjust rounder when changing size
- Automatic oiling system on divider (patented)
- Divider easily disassembled for cleaning
- 2 H.P. divider motor
- 1 H.P. rounder motor
- Made in U.S.A.; service parts readily available
- Full one year parts warranty (except on wear items)
- Limited electrical parts warranty
- Larger capacity hopper available as an option

### SPECIFICATIONS

- Length 64"/163 cm
- Width 24"/61 cm
- Height 58"/147 cm
- Shipping weight 1100 lbs./410 kg
- Production rate 2000 Pieces per hour
- Scaling range #2 dividing cup 2 - 4 oz./56 g - 112 g
- #3 dividing cup 4 - 10 oz./112 g - 280 g
- #5 dividing cup 10 - 32 oz./280 g - 896 g

### ELECTRICAL REQUIREMENTS

- 208 or 220 volt / 20 amperes
- Single or 3 phase
- Other voltages available. Please consult factory
- UL listing applies to control panel only
- ETL listing applies to entire machine



MANUFACTURING COMPANY