

BE-BL-250



BOWL HOIST



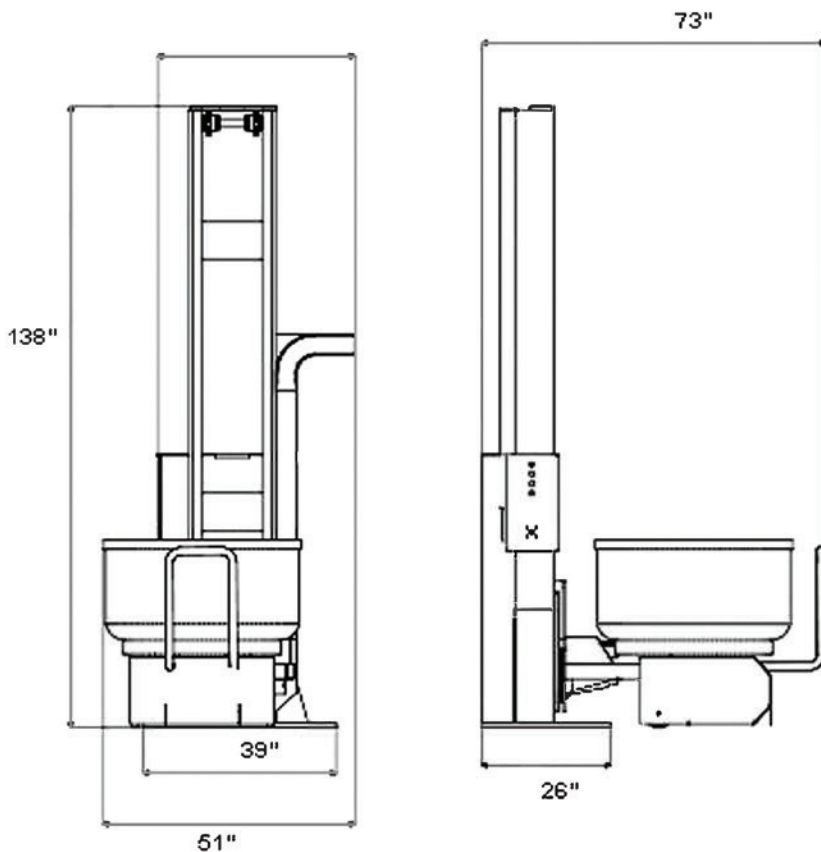


BOWL HOIST

The BEcom bowl hoist with motor reducer provides maximum lifting force, with minimum effort, and without the disadvantages of a hydraulic system. It allows batch mixing and production to be at its highest efficiency, as well as safety, while feeding a variety of different dough processing lines.

FEATURES

- Adjustable height
- Maximum dump height 96"
- Electric powered
- Fixed to floor
- Stainless steel



MODEL	DUMP HEIGHT	CAPACITY	DIMENSIONS	WEIGHT	POWER
BE-BL-250	96"	220 - 551 lbs	39" x 73" x 138"	2072 lbs	208V - 3Ph - 60Hz - 3 AMPS