

BE-CONR-RB



CONICAL ROUNDER



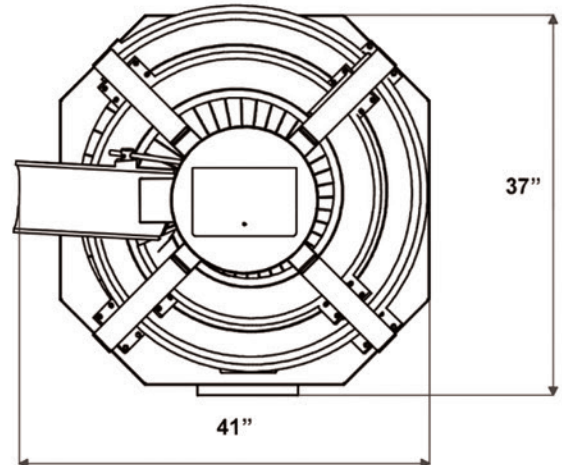
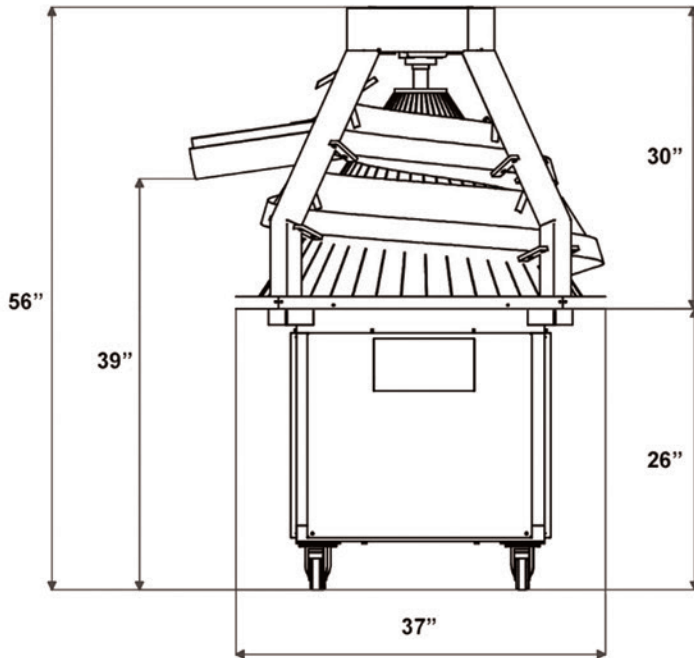


CONICAL ROUNDER

This machine is designed with a rotating cone and adjustable spiral shaped tracks. The dough forms into a ball while moving from the bottom to top along the track. The rounder is also equipped with a newly designed mechanical flour duster which produces minimal noise. The standard rounding track is 11.5 feet with a weight range from 4-42 ounces. With alternate track configuration it is also possible to produce 2-7 ounces working capacity.

FEATURES

- Adjustable spiral channels
- Stainless steel outside lid
- Cold air blowing unit included
- Flour sprinkler
- Mounted 4 casters and easy to move



MODEL	CAPACITY (QTY/HR)	DOUGH WEIGHT	DIMENSIONS	WEIGHT	POWER
BE-CONR-RB	1000 - 2400	4 - 42 oz	41" x 37" x 56"	430 lbs	208V - 3Ph - 60Hz - 1.5 AMPS