

# BE-DBCM-40



## DRY BREAD CRUMB MACHINE

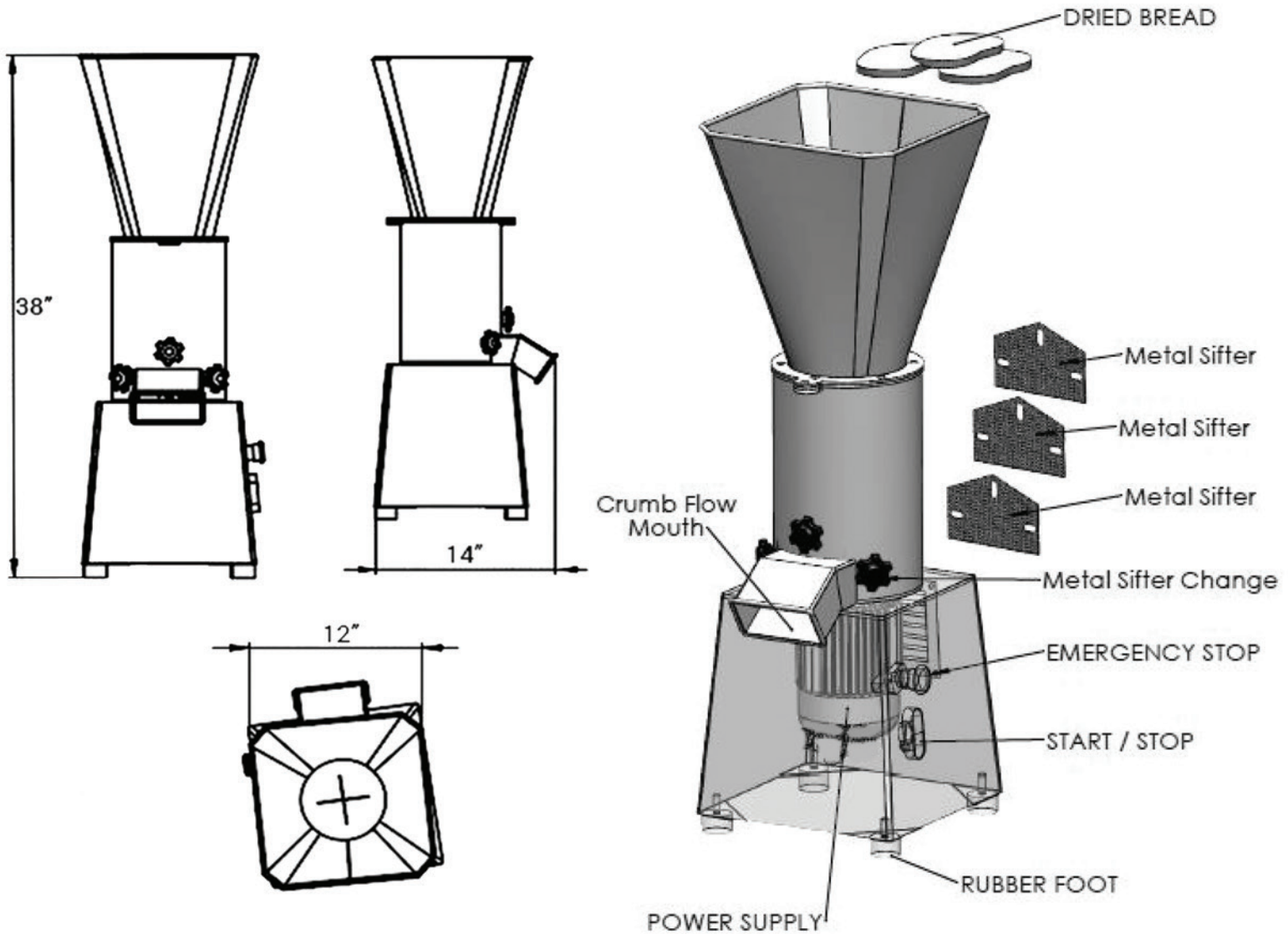


# BE-DBC-M-40



## DRY BREAD CRUMB MACHINE

The BEcom bread crumb machine is designed to save your company valuable labor and product by creating the perfect bread crumb. Adding a bread crumb machine to your bakery will utilize any product that is past its prime and unsuitable for purchase. This machine comes standard with 3 adjustable steel blades, allowing you to choose the desired thickness for your product.



MODEL	CAPACITY (LBS/HR)	DIMENSIONS	WEIGHT	POWER
BE-DBC-M-40	90	14" x 12" x 38"	75 lbs	120V - 1Ph - 60Hz - 12.5 AMPS