

# BE-DTP-350



## DOUGH TRANSFER PLATFORM



# BE-DTP-350

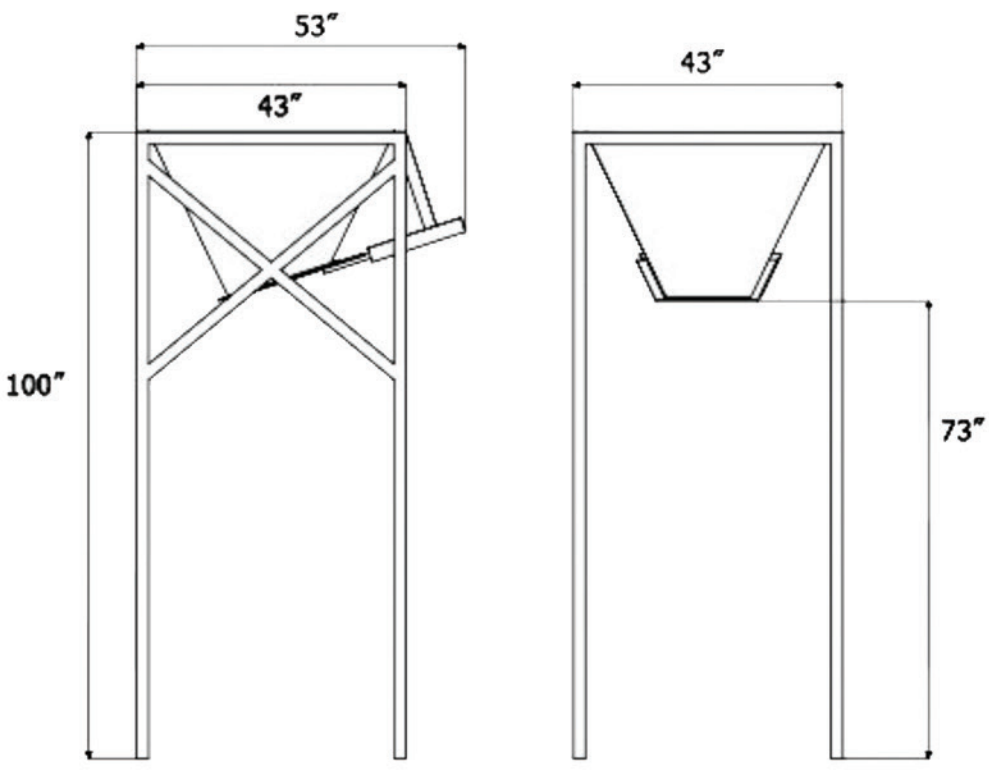


## DOUGH TRANSFER PLATFORM

The loading platform is designed for industrial production lines to transfer dough from the mixer into the hopper of a divider. Our transfer platform ensures that dough is always readily available when the divider needs feeding. After discharging the dough, the removable bowl can be prepared for the next kneading process. Upon request the dough transfer platform can be produced to provide dough to more than one divider.

### FEATURES

- Minimum capacity: 551 lbs per hour
- Maximum capacity: 772 lbs per hour
- Durable stainless steel construction



MODEL	CAPACITY	DIMENSIONS	WEIGHT	POWER
BE-DTP-350	551 - 772 lbs	53" x 43" x 100"	551 lbs	208V - 3Ph - 60Hz - 1.3 AMPS