

# BE-FM-3000



## FLATTENING & MOULDING



# BE-FM-3000

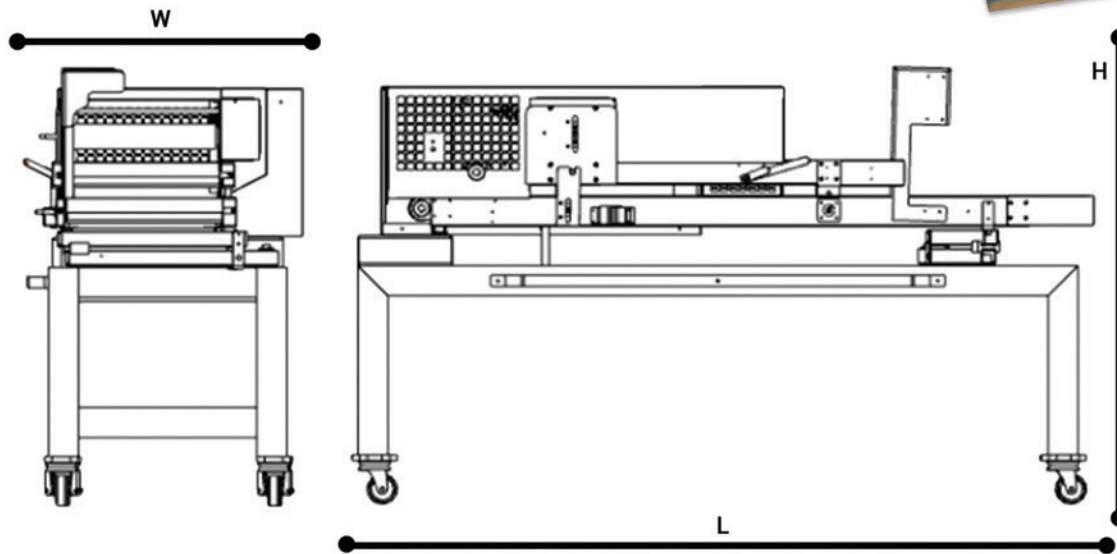


## FLATTENING & MOULDING

When used with a BE-PDR Series divider rounder the BE-FM-3000 flattening and moulding machine expands the capability of roll forming to include flattened hamburger rolls, petit pain and elongated hotdog/finger rolls, making the two machines an all-around roll forming combination. The flattening and moulding machine moves the formed round rolls from the divider rounder on a conveyor through various rollers, systematically reducing the thickness until the target shape and size is achieved. The BE-FM-3000 is manually adjusted and the values for the rollers and belts are saved in the BE-PDR touch screen program for future reference. The offtake belt can be pulled out at an angle while in operation for easy traying-up, and then neatly folded away when not in use to save space.

### FEATURES

- Up to 3,200 rolls per hour
- Stainless steel components
- Large access doors and lift up covers for easy access and cleaning



MODEL	PRODUCTION RATE (QTY/HR)	WEIGHT RANGE	DIMENSIONS (L x W x H)	POWER
BE-FM-3000	1900 - 3000	1 - 4 oz	76" x 29" x 46"	220V - 3Ph - 60Hz - 6 AMPS