

BE-FRKM



FORK MIXER



BEcom
bakeryequipment.com

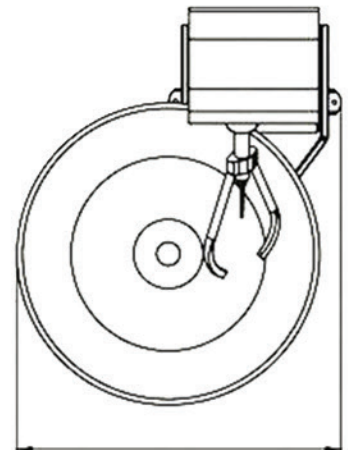
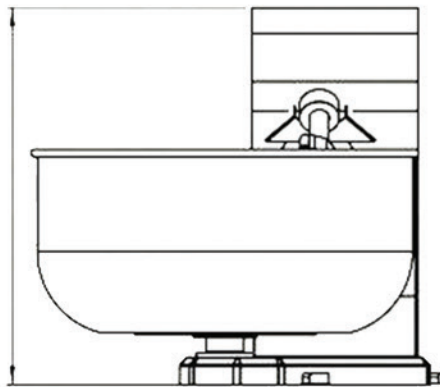
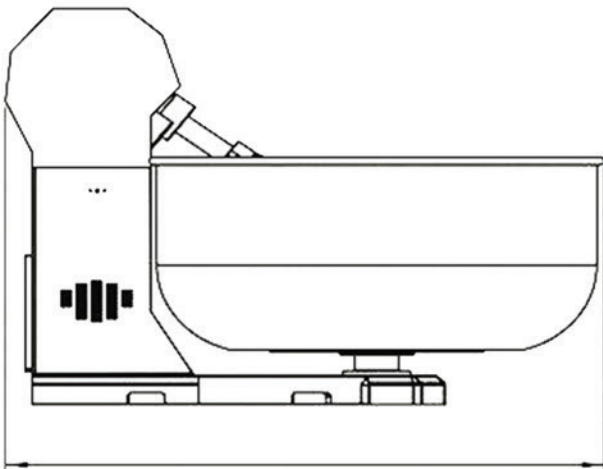


FORK MIXER

The BEcom fork mixer is more of a traditional European style mixer. It is especially popular for pizza, bread and pasta doughs. The BEcom fork mixer operates with smooth movements that stimulate hand kneading. The gentle kneading keeps the dough from overheating. Our fork mixers are available in various sizes to fit your needs.

FEATURES

- Two fixed speeds & 3-pronged mixing arm
- See through bowl guard with safety interlock
- Stainless steel bowl & dough contact surfaces
- Free spinning bowl



MODEL	FLOUR CAPACITY	DOUGH CAPACITY	BOWL DIAMETER	MACHINE DIMENSIONS	WEIGHT	POWER	HP
BE-FRKM-60	52 lbs	88 lbs	24"	39" x 33" x 33"	401 lbs	208V - 3Ph - 60Hz - 2.8 AMPS	1.02
BE-FRKM-70	88 lbs	141 lbs	28"	44" x 37" x 35"	428 lbs	208V - 3Ph - 60Hz - 2.8 AMPS	1.49
BE-FRKM-75	110 lbs	176 lbs	30"	46" x 38" x 36"	461 lbs	208V - 3Ph - 60Hz - 3.9 AMPS	1.49
BE-FRKM-85	165 lbs	265 lbs	33"	51" x 43" x 40"	688 lbs	208V - 3Ph - 60Hz - 3.9 AMPS	2.04
BE-FRKM-90	220 lbs	353 lbs	35"	52" x 41" x 42"	699 lbs	208V - 3Ph - 60Hz - 5.7 AMPS	3
BE-FRKM-100	331 lbs	529 lbs	39"	58" x 46" x 48"	1027 lbs	208V - 3Ph - 60Hz - 7.8 AMPS	4.08
BE-FRKM-110	441 lbs	705 lbs	43"	63" x 48" x 47"	1058 lbs	208V - 3Ph - 60Hz - 10.5 AMPS	5.44
BE-FRKM-120	551 lbs	882 lbs	47"	67" x 51" x 49"	1213 lbs	208V - 3Ph - 60Hz - 14.5 AMPS	7.48
BE-FRKM-130	661 lbs	1058 lbs	51"	72" x 54" x 50"	1367 lbs	208V - 3Ph - 60Hz - 19.6 AMPS	10.2 - 15