

BE-LM



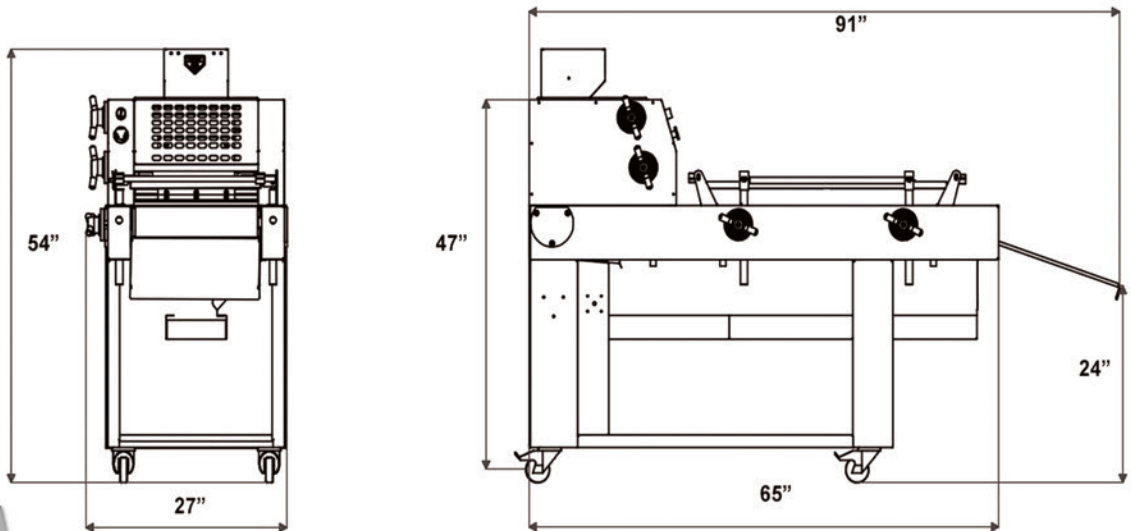
LONG MOULDER





LONG MOULDER

This machine is suitable for molding oblong dough shapes such as rolls and small baguettes. The machine has 4 rollers and an adjustable pressure board which can easily be removed for cleaning. Maximum molding length is 17 inches, and approximate maximum dough processing throughput is 2,400 pieces per hour. The BE-LM can be made for left or right operation, and can also be fitted with double pressure boards.



FEATURES

- Pressure board length: 37"
- Non-stick
- Adequate for food processing rollers
- Four roller system
- Dough centering flaps
- Easy to fold pressure board
- Adjustable distance for pressure board & roller



MODEL	MAX CAPACITY (QTY/HR)	MAX DOUGH LENGTH	PRESSURE PLATE LENGTH	DIMENSIONS	WEIGHT	POWER
BE-LM	2400	17"	37"	27" x 65" x 54"	518 lbs	208V - 3Ph - 60Hz - 1.5 AMPS