

# BE-LMRVM-24



## REVERSE MOULDER



# BE-LMRVM-24

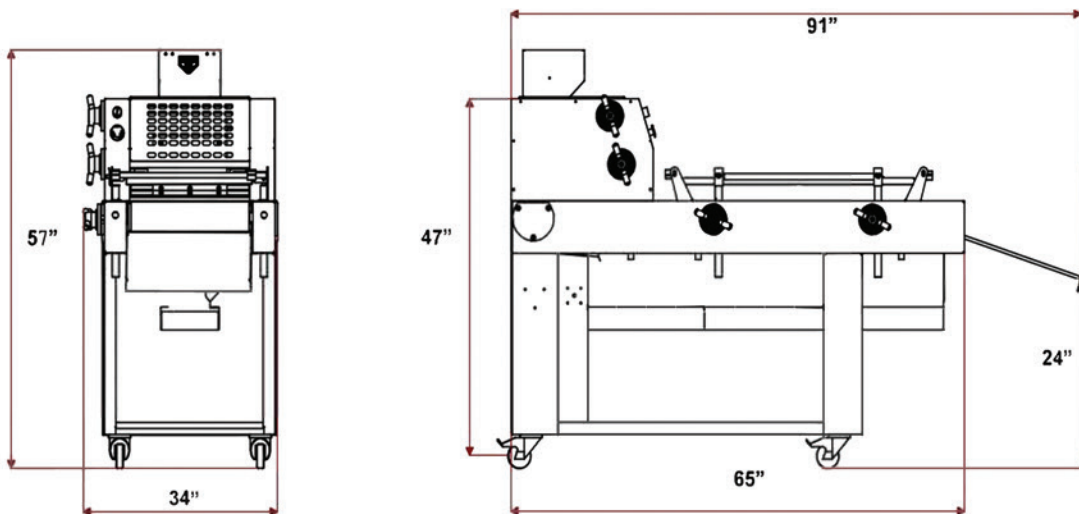
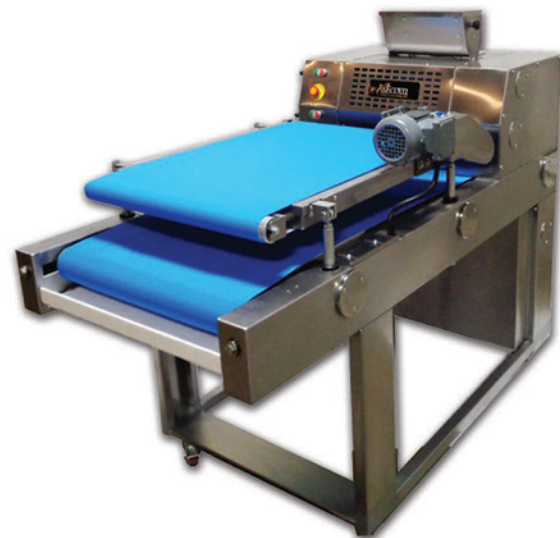


## REVERSE MOULDER

The BE-LMRVM-24 is suitable for molding oblong dough shapes such as rolls and small baguettes. The unit has 4 rollers and an adjustable pressure board which can easily be removed for cleaning. The maximum molding length is 24 inches and the approximate maximum dough processing throughput is 2800 pieces per hour. The BE-LMRVM-24 takes advantage of an upper conveyor that moves in the reverse direction, thus giving the dough a longer moulding surface area.

### FEATURES

- Minimum dough weight: 3 oz
- Maximum weight: 42 oz
- Stainless steel construction
- 2 sheeting heads
- A 24 inch wide belt with a reverse conveyor above
- Pressure board length is 37 inches



MODEL	CAPACITY (QTY/HR)	DOUGH WEIGHT	CONVEYOR WIDTH	MAX DOUGH LENGTH	PRESSURE PLATE LENGTH	DIMENSIONS (Dx W x H)	WEIGHT	POWER
BE-LMRVM-24	2800	3 - 42 oz	24"	24"	37"	91" X 34" X 57"	959 lbs	208V - 3Ph - 60Hz - 10 AMPS