

BE-SRB-250



SPIRAL MIXER REMOVABLE BOWL



 **BEcom**
bakeryequipment.com

BE-SRB-250

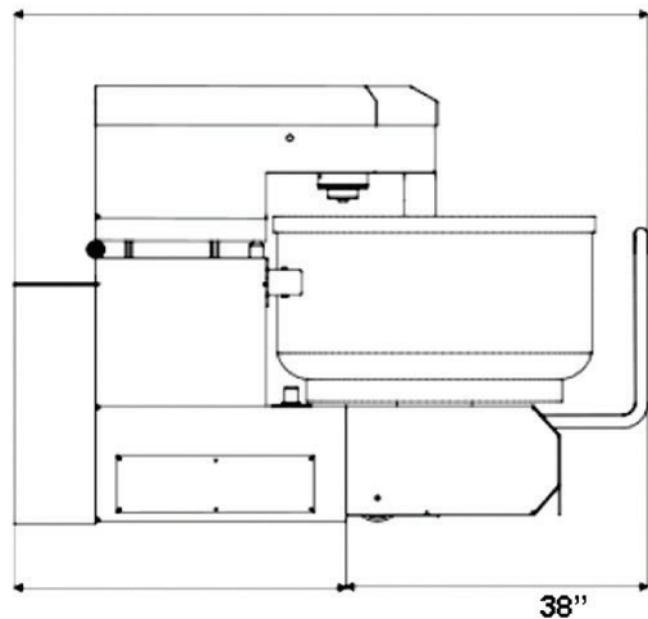
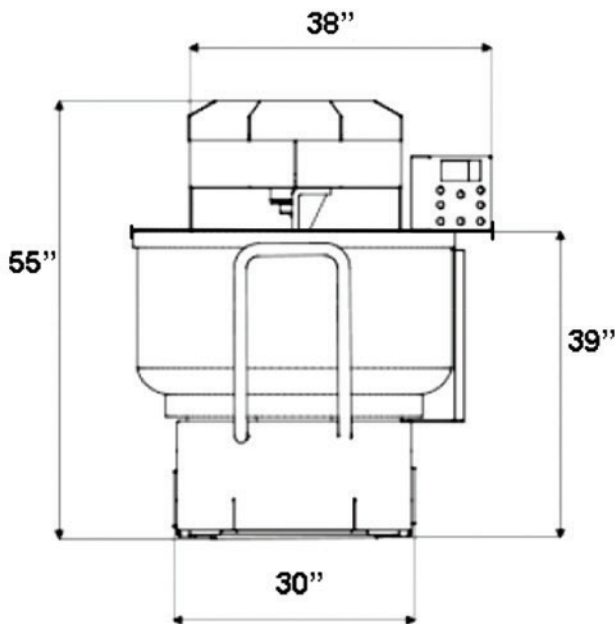


SPIRAL MIXER REMOVABLE BOWL

BEcom's removable bowl spiral mixer has been designed for industrial environments. Excellent kneading and practical operation have been merged through a 2 speed kneading system, powerful double speed motors, and a removable bowl system. The durable chassis assures many years of heavy duty mixing. A removable stainless steel bowl fastens to the machine's body with a tight locking system. The head of the mixer lifts automatically at the end of mixing and allows you to remove the bowl with ease. Compatible bowl hoist system is available as an option.

FEATURES

- 2-speed spiral and bowl drive
- Reversible bowl rotation
- Stainless steel bowl, spiral arm & breaker bar
- Two timers with automatic changeover from low to high speed
- Belt driven are and bowl for quiet operation and low maintenance
- See-thru bowl guard with safety interlock prevents operation with guard open



MODEL	FLOUR CAPACITY	DOUGH CAPACITY	BOWL DIMENSIONS	BOWL SPEED	SPIRAL SPEED	MACHINE DIMENSIONS	WEIGHT	POWER	HP
BE-SRB-250	331 lbs	551 lbs	39.375" I.D. x 40.375" O.D. x 19.5" Deep	16 RPM	96 - 180 RPM	45" x 86" x 55"	1940 lbs	208V - 3Ph - 60Hz - 60 AMPS	19