

BE-VDIV-4800



DOUBLE PISTON VOLUMETRIC DIVIDER



BE-VDIV-4800



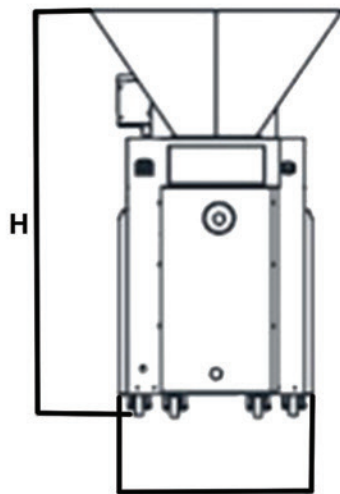
DOUBLE PISTON VOLUMETRIC DIVIDER

The BEcom volumetric divider accurately divides dough through a newly designed drum and piston system. This BE-VDIV-4800 capacity ranges from 40 to 80 pieces of dough per minute. Scaling is done by a mechanical adjustment or an optional PLC touch screen panel.

** Please specify piston size when ordering.*

FEATURES

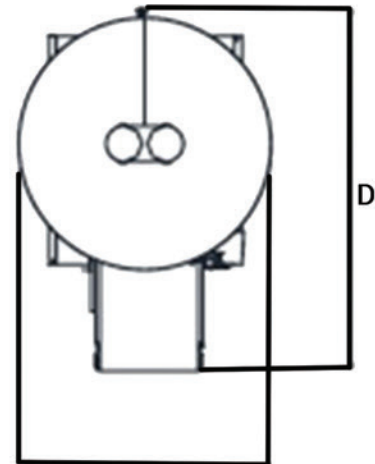
- Stainless steel body
- Chrome plates drum surface
- Standard hopper capacity 353lbs
- Power belt/pulley transmission system
- Piston automatically moves to the discharge position when the machine is shut off



A



B



C



MODEL	CAPACITY (QTY/HR)	WORKING RANGE (PISTON DIA/OZ)	DIMENSIONS (A x B x C x D x H)	WEIGHT	POWER
BE-VDIV-4800-M	2400 - 4800	3" / 2-9 oz	30" x 56" x 39" x 56" x 58"	1543 lbs	208V - 3Ph - 60Hz - 5.7 AMPS
		4" / 3.5-21 oz			
BE-VDIV-4800-A	2400 - 4800	3" / 2-9 oz	30" x 56" x 39" x 56" x 58"	1543 lbs	208V - 3Ph - 60Hz - 5.7 AMPS
		4" / 3.5-21 oz			