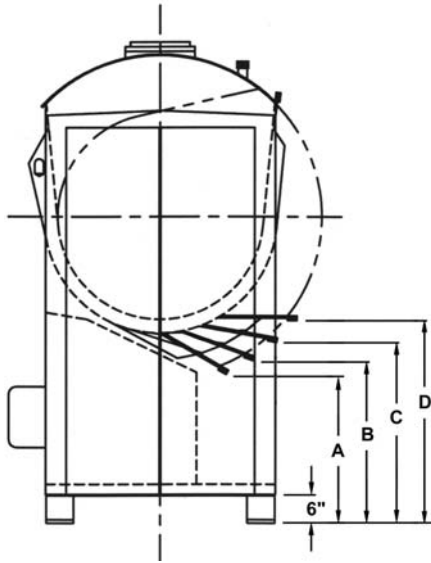
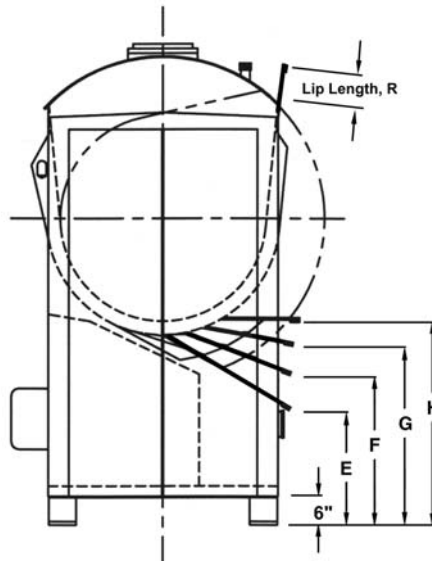


# Peerless® SINGLE SIGMA MIXER

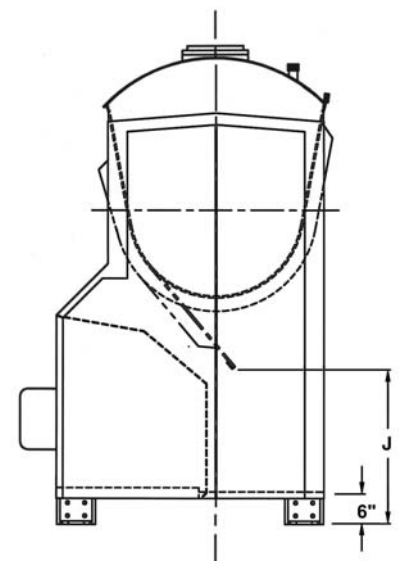
## Heavy Duty



Tilt Height with  
Standard 2" Lip



Tilt Height with Extended Lip



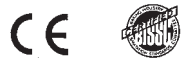
Overtilt Option  
140°

(INCHES)

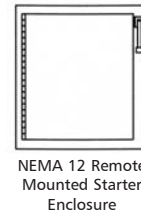
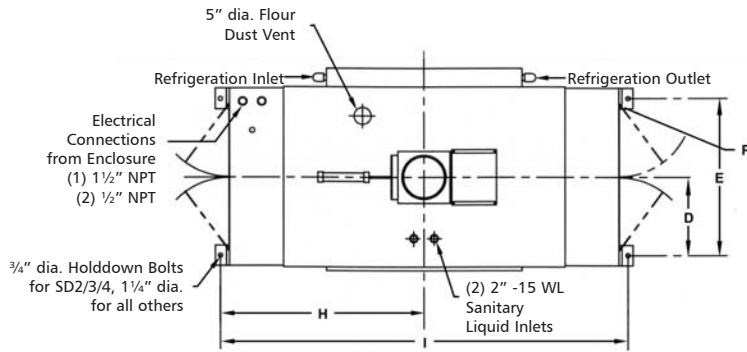
TILT ANGLE	120°			110°			100°			90°			OVERTILT OPTION 140°	
	A	R	E	B	R	F	C	R	G	D	R	H	J	R
SD3	27 1/2	10	23 1/4	30 1/2	4	29 3/4	34 1/2	2	34 1/2	39	2	39	24 1/2	2
SD4	26	12	21	29	6	27 3/4	32 3/4	2	32 3/4	37	2	37	28 1/4	2
SD5	29 1/2	13	24 1/4	33	7	31 1/4	37 1/4	2	37 1/4	42	2	42	26 1/4	2
SD6	29 1/2	13	24 1/4	33	7	31 1/4	37 1/4	2	37 1/4	42	2	42	26 1/4	2
SD7	28 1/2	15	22 1/4	31 1/2	9	29 1/4	35	4	35	40	2	40	32	2
SD8	34 1/2	15	28	37 3/4	9	35 1/2	42	3	42	47	2	47	30	2
SD9	31 1/2	14	25 1/2	35	7	33 1/2	39 1/2	2	39 1/2	45	2	45	27 1/4	2
SD10	31 1/2	15	25	35	8	33	39 1/2	2	39 1/2	45	2	45	27 1/4	2
SD11	31	17	23 1/2	34 1/2	10	31 3/4	38 1/4	4	38 1/4	44	2	44	27 1/4	2
SD12	30 1/2	17	22	33 3/4	9	30 3/4	38	5	37 1/2	43	2	43	27 1/4	2

Due to the continuous effort of Peerless Engineering to improve performance, dimensional data and specifications are subject to change without notice.

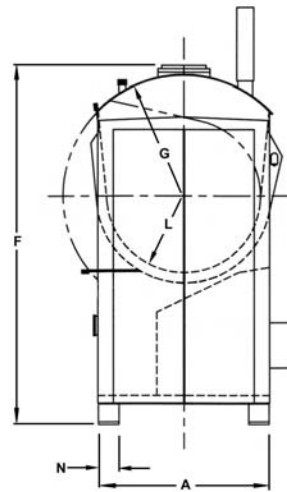
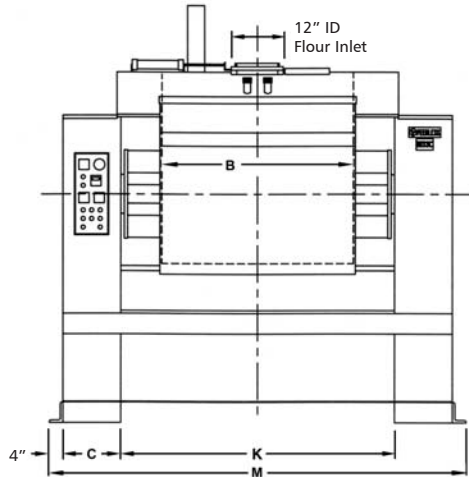
Dimensions are for reference only. Please refer to the Certified Data Drawing for final specifications.



# Peerless® SINGLE SIGMA MIXER Heavy Duty

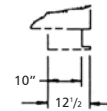


**NOTE:**  
Starter enclosure dimensions subject to motor horsepower and voltage.



**NOTE:**  
Dimension "J" is required behind Mixer to easily remove Motor and Reducer. On most models, Motor and Reducer can be removed through end of the Mixer also.

Legs for SD2/SD3/SD4



## DIMENSIONS (Inches)

MODEL	A	B	C	D	E	F	G	H	I	J	K	L	M	N	P
SD3	40	32	12 1/2	17	34	88 1/2	30	41 3/4	83 1/2	26	53	16	86	6	15 1/2
SD4	40	36	12 1/2	17	34	88 1/2	30	43 3/4	87 1/2	26	57	18	90	6	15 1/2
SD5	46	40	17	20	40	96 3/4	33	51 1/2	103	28	64	18	106	6	18 1/2
SD6	46	45	17	20	40	96 3/4	33	54	108	28	69	18	111	6	18 1/2
SD7	46	50	17	20	40	96 3/4	33	56 1/2	113	28	74	20	116	6	18 1/2
SD8	50	56	17	22	44	105 3/4	35	59 1/2	119	32	80	20	122	6	20 1/2
SD9	50	56	17	22	44	108 3/4	38	59 1/2	119	32	80	22	122	6	20 1/2
SD10	54	67	17	22 1/2	45	108 3/4	38	65	130	32	91	22	133	9	22 1/2
SD11	54	67	17	22 1/2	45	108 3/4	38	65	130	32	91	23	133	9	22 1/2
SD12	54	67	19	22 1/2	45	108 3/4	38	67	134	32	91	24	137	9	22 1/2

## SPECIFICATIONS

MODEL	Mixing Capacity (Pounds)	Total Bowl Volume (Cu. Ft.)	Working Capacity (Cu. Ft.)	Drive Motor HP	Total Load (KVA)	Tilt Motor HP	Approx. Floor Load (Lbs./Sq. Ft.)	Approx. Net Weight (Pounds)	Shipping Weight (Pounds)
SD3	700	21.9	17.2	30/15	35	5	5,230	10,000	10,500
SD4	1,000	27.6	24.0	40/20	45	5	5,610	10,500	11,000
SD5	1,300	33.4	27.6	50/25	45	5	4,600	11,500	12,000
SD6	1,600	37.8	31.0	50/25	55	5	4,800	12,000	12,500
SD7	2,100	46.4	41.6	60/30	65	5	5,790	14,300	15,000
SD8	2,400	54.9	47.6	75/37.5	80	5	6,780	16,800	19,000
SD9	2,800	66.6	55.9	100/50	105	7.5	7,450	18,300	21,500
SD10	3,400	78.5	68.6	125/62.5	130	7.5	5,690	19,000	20,800
SD11	3,700	82.0	74.2	150/75	155	7.5	6,190	21,500	22,600
SD12	4,000	85.6	79.9	175/87.5	180	7.5	5,940	24,200	25,000

## AGITATOR SPEEDS

Standard Two Speed Models:

Low - 20 RPM

High - 40 RPM

Single Speed and variable speed versions are available as options.

Dimensions are for reference only. Please refer to the Certified Data Drawing for final specifications.



500 S. Vandemark Road  
Sidney, OH 45365-0769 • USA  
Tel: 937.492.4158 • 800.999.3327  
Fax: 937.492.3688  
www.thepeerlessgroup.us