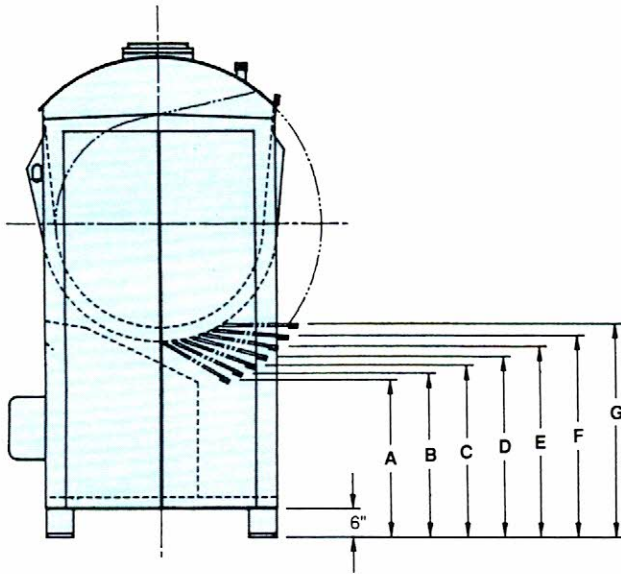
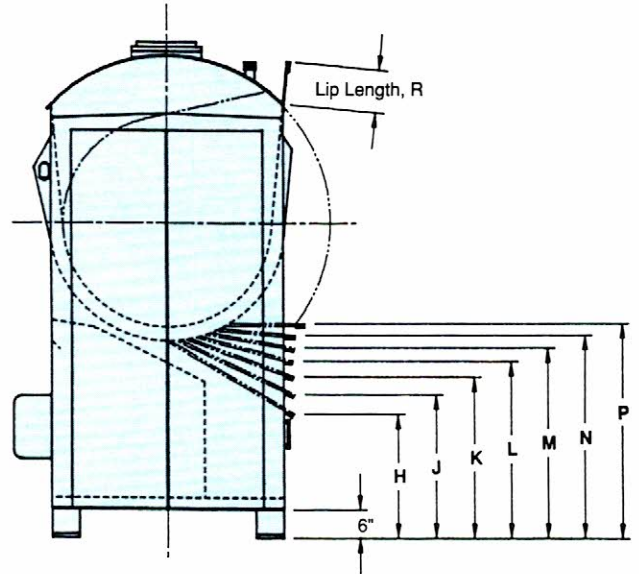


Triple Roller Bar Mixer



**Tilt Height with
Standard 2" Lip**



**Tilt Height with
Extended Lip**

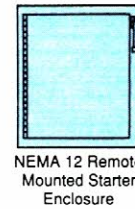
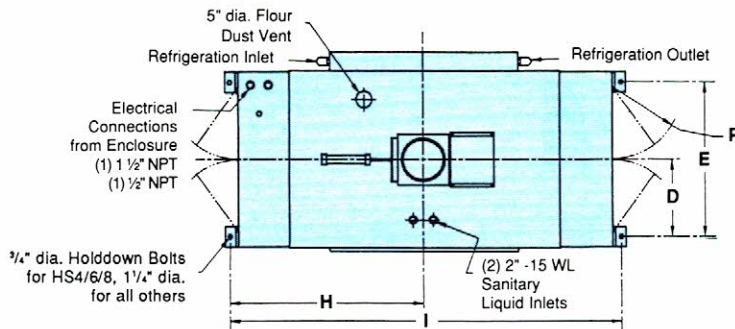
(Inches)

TILT ANGLE	120°			115°			110°			105°			100°			95°			90°		
DIMENSION	A	R	H	B	R	J	C	R	K	D	R	L	E	R	M	F	R	N	G	R	P
HS4	28 ³ / ₈	7	26	30	5	29	32	2	32	34	2	34	36 ¹ / ₄	2	36 ¹ / ₄	38 ¹ / ₂	2	38 ¹ / ₂	41	2	41
HS6	27 ¹ / ₂	10	23 ¹ / ₄	28 ³ / ₄	7	26 ³ / ₄	30 ¹ / ₂	4	29 ³ / ₄	32 ¹ / ₂	2	32 ¹ / ₂	34 ¹ / ₂	2	34 ¹ / ₂	36 ³ / ₄	2	36 ³ / ₄	39	2	39
HS8	26	12	21	27 ¹ / ₂	9	24 ¹ / ₂	29	6	27 ³ / ₄	30 ³ / ₄	4	30 ³ / ₄	32 ³ / ₄	2	32 ³ / ₄	35	2	35	37	2	37
HS10	29 ¹ / ₂	13	24 ¹ / ₄	31 ¹ / ₄	9	28 ³ / ₄	33	7	31 ¹ / ₄	35	4	34 ¹ / ₄	37 ¹ / ₄	2	37 ¹ / ₄	39 ¹ / ₂	2	39 ¹ / ₂	42	2	42
HS13	28 ¹ / ₂	15	22 ¹ / ₄	30	12	25 ³ / ₄	31 ¹ / ₂	9	29 ¹ / ₄	33 ¹ / ₂	6	32 ¹ / ₂	35 ¹ / ₂	4	35	37 ³ / ₄	2	37 ³ / ₄	40	2	40
HS16	34 ¹ / ₂	15	28	36	12	31 ³ / ₄	37 ³ / ₄	9	35 ¹ / ₂	39 ³ / ₄	6	36 ³ / ₄	42	3	42	44 ¹ / ₂	2	44 ¹ / ₂	47	2	47
HS20	33 ³ / ₄	18	25 ¹ / ₂	34 ³ / ₄	14	29 ³ / ₄	36 ³ / ₄	11	33 ¹ / ₂	38 ³ / ₄	8	36 ³ / ₄	40 ³ / ₄	5	40	42 ¹ / ₂	3	42 ¹ / ₂	45	2	45
HS24	33 ³ / ₄	20	24 ¹ / ₂	34 ³ / ₄	16	28 ³ / ₄	36 ³ / ₄	13	32 ¹ / ₂	38 ³ / ₄	10	36 ³ / ₄	40 ³ / ₄	7	39 ¹ / ₂	42 ¹ / ₂	5	42 ¹ / ₄	45	3	45
HS28	31	17	23 ¹ / ₂	32 ¹ / ₂	13	27 ³ / ₄	34 ¹ / ₂	10	31 ³ / ₄	36 ¹ / ₂	7	35 ¹ / ₄	38 ³ / ₄	4	38 ¹ / ₂	41 ¹ / ₄	2	41 ¹ / ₄	44	3	44
HS32	30 ¹ / ₂	17	22	32	13	26 ¹ / ₂	33 ³ / ₄	9	30 ³ / ₄	35 ³ / ₄	8	34 ¹ / ₄	38	5	37 ¹ / ₂	40 ¹ / ₂	3	40 ¹ / ₄	43	2	43

Due to the continuous effort of Peerless Engineering to improve performance, dimensional data and specifications are subject to change without notice.

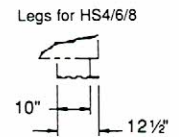
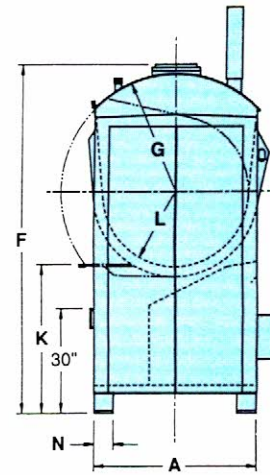
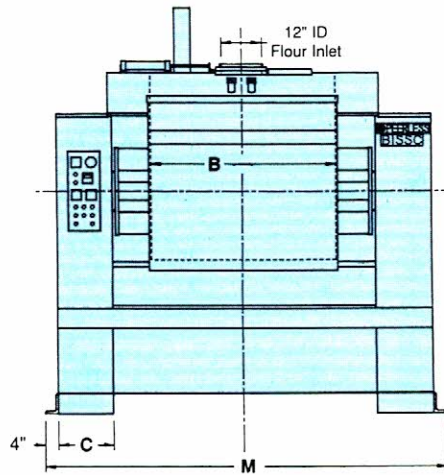
Refer to Certified Data Drawing for final specifications.

SPECIFICATIONS - TRIPLE ROLLER BAR MIXER



Starter enclosure dimensions subject to motor horsepower and voltage.

NOTE:
Dimension "J" is required behind Mixer to easily remove Motor and Reducer.
On most models, Motor and Reducer can be removed through end of the Mixer also.



DIMENSIONS (Inches)

MODEL	A	B	C	D	E	F	G	H	I	J	K	L	M	N	P
HS4	40	32	12 1/2	17	34	88	30	41 3/4	83 1/2	26	41	14	86	6	15 1/2
HS6	40	32	12 1/2	17	34	88	30	41 3/4	83 1/2	26	39	16	86	6	15 1/2
HS8	40	36	12 1/2	17	34	88	30	43 3/4	87 1/2	26	37	18	90	6	15 1/2
HS10	46	45	17	20	40	96	33	54	108	28	42	18	111	6	18 1/2
HS13	46	50	17	20	40	96	33	56 1/2	113	28	40	20	116	6	18 1/2
HS16	50	56	17	22	44	105	35	59 1/2	119	32	47	20	122	6	20 1/2
HS20	50	56	17	22	44	105	35	59 1/2	119	32	45	22	122	6	20 1/2
HS24	54	67	17	22 1/2	45	105	35	65	130	32	45	22	133	9	22 1/2
HS28	54	67	17	22 1/2	45	108	38	65	130	32	44	23	133	9	22 1/2
HS32	54	67	19	22 1/2	45	108	38	67	134	32	43	24	137	9	22 1/2

SPECIFICATIONS

MODEL	Mixing Capacity (Pounds)	Working Capacity (Cu. Ft.)	Drive Motor H.P.	Total Load (KVA)	Tilt Motor H.P.	Approx. Floor Load (Lbs./Sq.Ft.)	Net Weight (Pounds)	Approx. Shipping Weight (Pounds)
HS4	400	12.9	25/12 1/2	30	5	4,750	9,500	10,000
HS6	600	17.2	30/15	35	5	5,090	10,000	10,500
HS8	800	24.0	40/20	45	5	5,420	10,500	11,000
HS10	1,000	30.2	50/25	55	5	4,590	12,000	12,500
HS13	1,300	41.3	60/30	65	5	5,500	14,300	15,000
HS16	1,600	47.6	75/37 1/2	80	5	6,500	16,800	17,500
HS20	2,000	56.3	100/50	105	5	7,160	18,300	19,000
HS24	2,400	69.5	125/62 1/2	130	5	5,460	20,800	21,500
HS28	2,800	74.2	150/75	155	5	5,980	22,600	23,500
HS32	3,200	79.9	175/87 1/2	180	5	5,770	24,200	25,000

AGITATOR SPEEDS

Standard Two Speed Models
Low - 35 RPM
High - 70 RPM
Single Speed and variable speed versions are available as options



Peerless

THE BAKING INDUSTRY SPECIALISTS