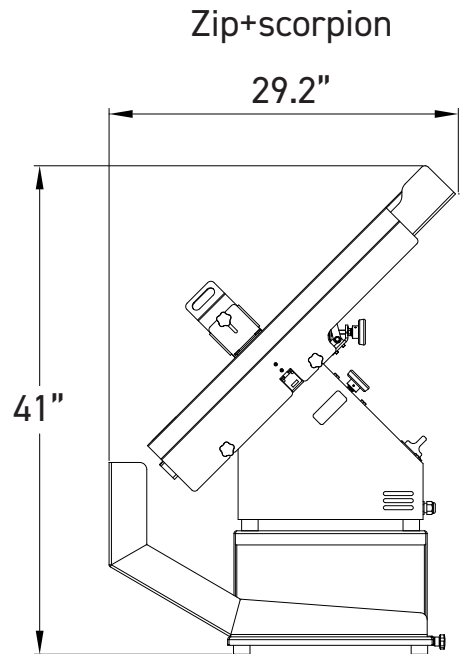
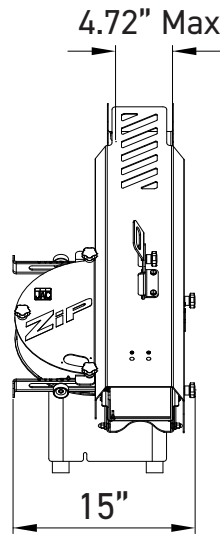
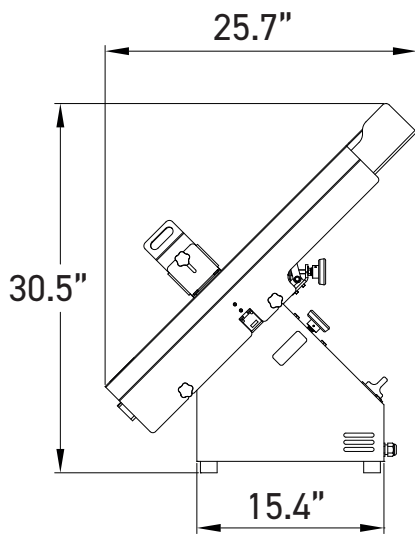


# Bun & bagel slicer



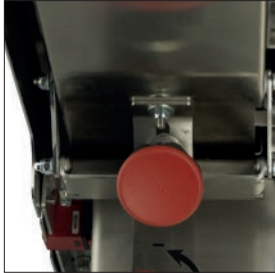
# ZIP

- ✓ Very quiet operation
- ✓ Variable blade settings
- ✓ Variety of cutting heights and depths
- ✓ Can handle large bagels
- ✓ Heavy duty design
- ✓ Thruput of up to 1000 slices/hour
- ✓ 5 years parts / 1 year labor warranty





**Adjustable cutting chute**  
The adjustable height and width allow several types of loaves to be held, while ensuring a clean, precise cut.



**Blade adjustment handle**  
To set the height and depth of the cut in the bread.



**Stainless steel shutter**  
Finger protection system fixed at the outlet of the cutting area.



Stainless steel scorpion base unit



Stainless steel base and cart with bins

**FEATURES**

	<b>ZIP</b>
Max. loaf dimensions in in (L x W)	2.36" x 2.36" / 4.72" x 3.14"
Motor power in kW	0.49
Type of motor	1ph/120V/60Hz/6.6A
Plug Configuration	NEMA 5-15P*
Net weight (in kg)	77.16
Blade type and dimensions	11.8" diameter steel

**OPTIONS**

Scorpion base unit	•
Stainless steel base	•
Cart with bins	•

