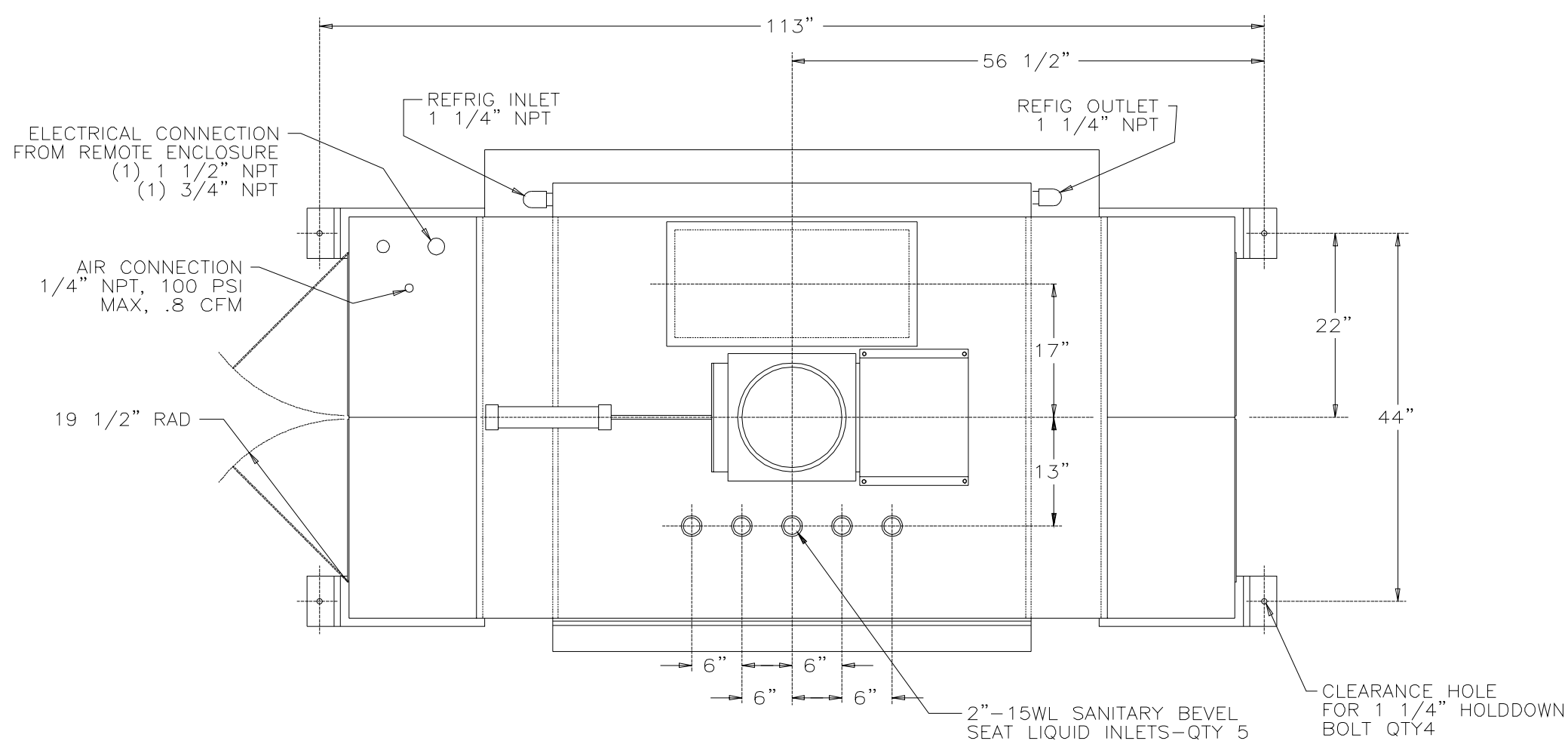
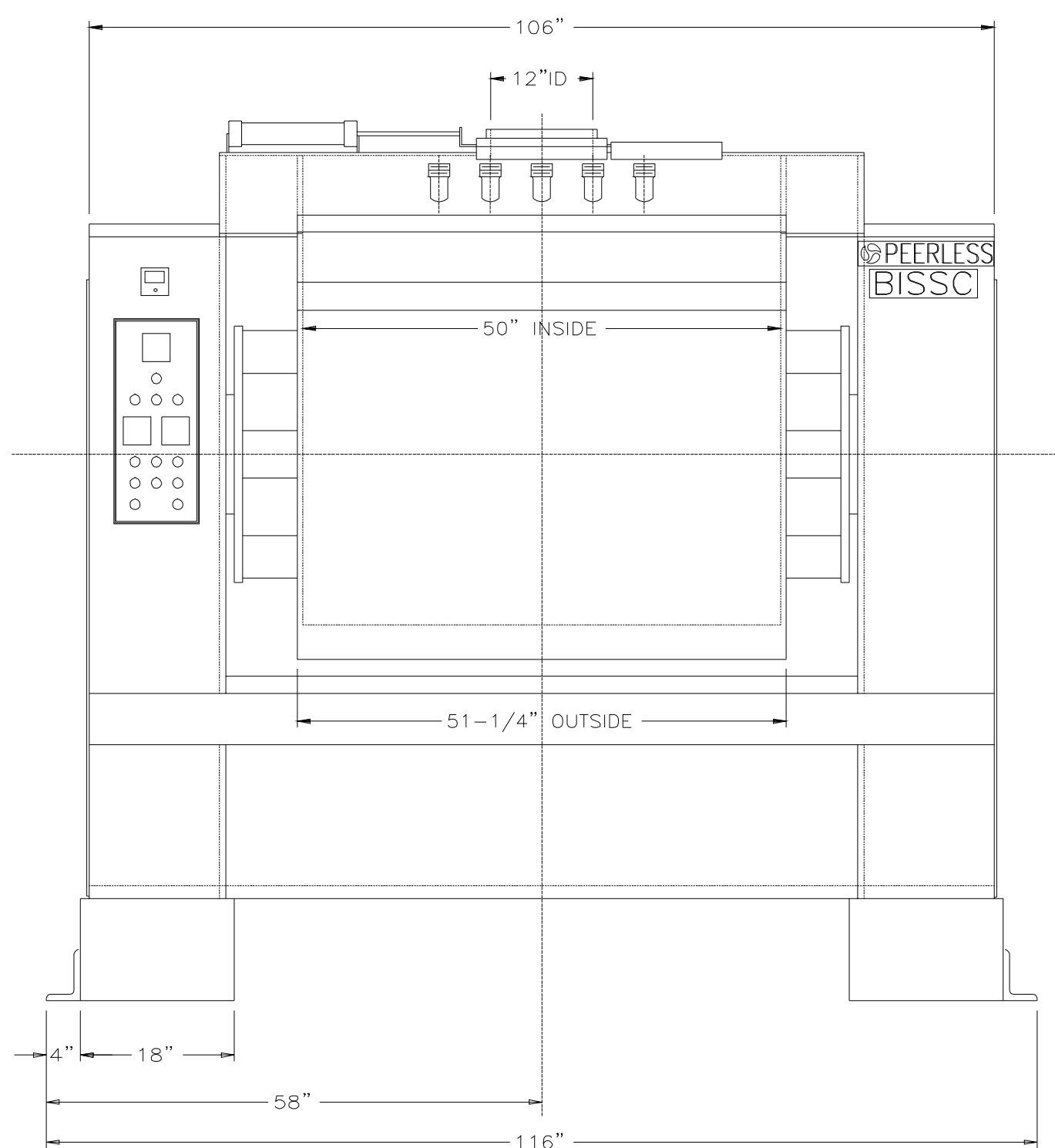


DATE	REV	REVISION (+ ADD, - REMOVE, ± WAS)	DR BY	CHK BY
8/89A		DELETED CONTROL PANEL	DT	
9/89B		ADDED NOTE	DT	



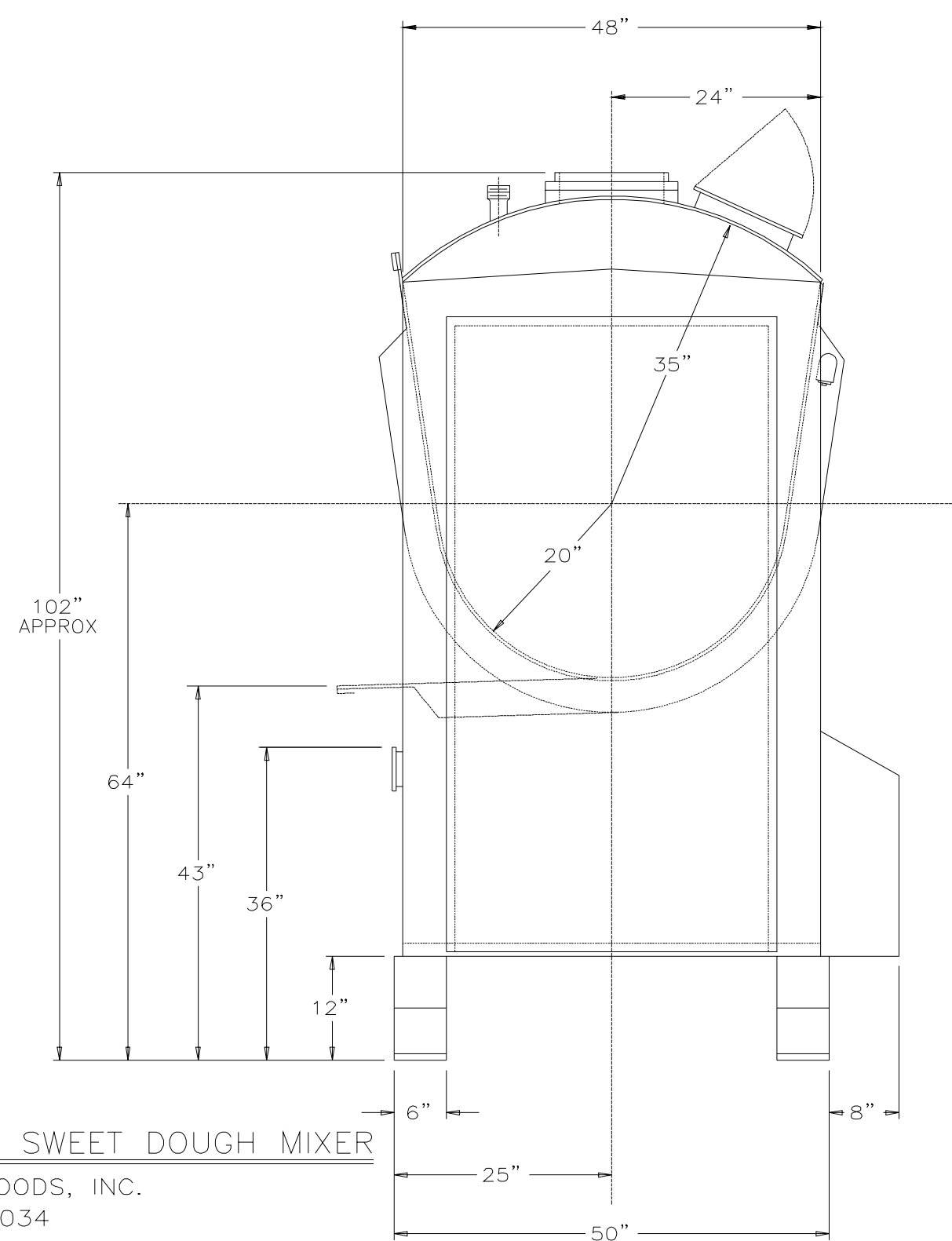
MIXER FEATURES:

- 60/30 H.P. 1800/900 RPM TEFC DRIVE MOTOR.
 - 460 VOLT 3 PHASE 60 HERTZ
 - 115 VOLT CONTROL CIRCUIT.
 - SOLID STAINLESS STEEL BOWL SHEET.
 - SOLID STAINLESS STEEL BOWL ENDS.
 - SOLID STAINLESS STEEL BOWL COVER.
 - SOLID STAINLESS STEEL AGITATOR & SHAFT.
 - SOLID STAINLESS STEEL REMOVABLE PAN UNDER BOWL.
 - SOLID STAINLESS STEEL EXTERIOR.
 - SOLID STAINLESS STEEL WATER JACKET.
 - AUTOMATIC CHAIN OILER.
 - AGITATOR SPEEDS: 20 RPM LOW 40 RPM HIGH.
 - PNEUMATIC FLOUR GATE.
 - SANITARY REMOVABLE SHAFT SEALS.
 - ELECTRONIC DIGITAL TYPE BOWL THERMOMETER.
 - DOUBLE AUTOMATIC PLUG IN TYPE DIGITAL TIMERS.
 - HIGH/LOW SPEED JOG OPERATION.
 - INGREDIENT DOOR: 18 X 30 OPENING.DOUBLE END DRIVE.
- Ⓑ CUSTOMER TO SUPPLY TILT, DRIVE MOTOR STARTERS, HIGH VOLTAGE DISCONNECT & 120 VOLT 1 PHASE 60 HERTZ SUPPLY TO MIXER.



PEERLESS MODEL 8SD SWEET DOUGH MIXER

FOR: TOM'S FOODS, INC.
F.O. 89034



PEERLESS MACHINERY CORPORATION SIDNEY, OHIO	
TOLERANCES (UNLESS OTHERWISE SPECIFIED) DECIMAL .XX=±.01 ANGLES ±1° FRACTIONAL ± 1/32 .XXX=±.005 BREAK ALL EDGES	
MATERIAL	DRAWN BY RJ APPROVED BY
SCALE 1"=1'	TITLE CERTIFIED DATA SHEET
DATE 7/13/89	DRAWING NUMBER CDS-201 FILE NUMBER D6-13