

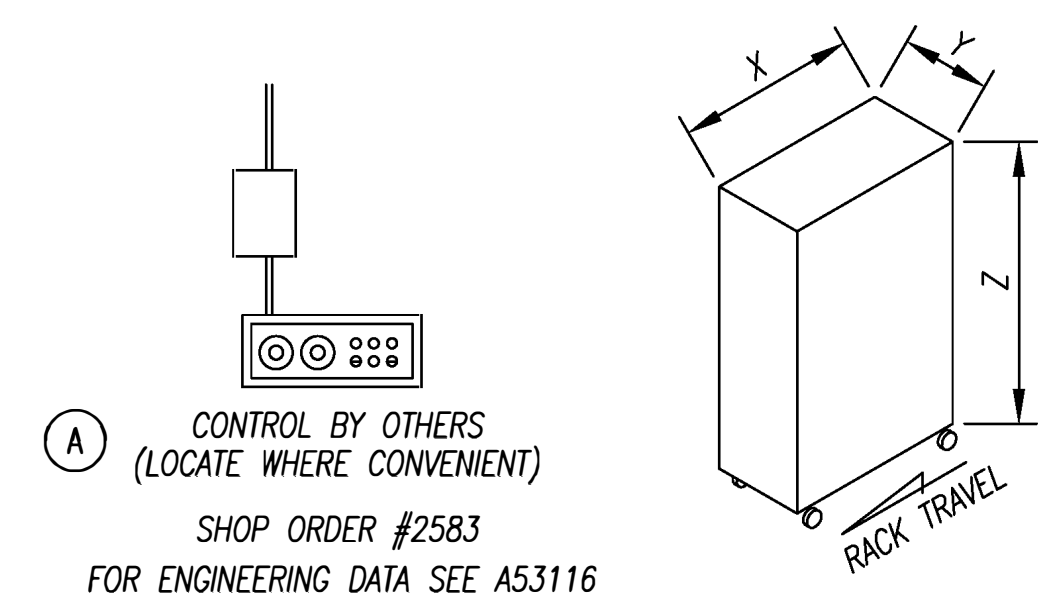
IF THE TEMPERATURE BELOW THIS PROOF BOX IS EVER BELOW 70°F-
INSULATION IS RECOMMENDED.

INSTALLATION NOTES:

- 1.) PIPE UNIONS ARE RECOMMENDED FOR STEAM SUPPLY AND DRAIN PIPING ON EITHER SIDE OF INDICATED AREA FOR EASE IN REMOVING THE RADIATORS
- 2.) REVIEW PLAN VIEW DWG. ABOVE AND BECOME FAMILIAR WITH VARIOUS TYPES OF STRUCTURAL POSTS, INCLUDING THE SPECIAL WALL AND CENTER POSTS THAT ARE LOCATED BELOW CENTRAL AIR PLENUM
- 3.) DUE TO EXISTING OBSTRUCTIONS, IT IS CRITICAL THAT THE PROOF BOX AND CONDITIONING UNIT BE INSTALLED AS SHOWN BASED ON FIELD DIMENSIONS PROVIDED BY THE OWNER

REQUIRED INFORMATION:

1. INDICATE CEILING HEIGHT AS SHOWN
2. INDICATE DESIRED DOOR SWING AS SHOWN
3. INDICATE TYPE OF FLOOR RED CLAY TILE
4. INDICATE DIRECTION OF RACK FLOW AS SHOWN
5. INDICATE POWER SUPPLY 240 V/ 60 Hz/ 3 PH
6. INDICATE RACK DIMENSIONS 51 X 26 1/2 Y 74 Z
7. LOCATE EXACTLY ANY OBSTRUCTION THAT MAY INTERFERE WITH THE INSTALLATION OF PROOF BOX.



SYMBOLS

- - GUIDERAIL SUPPORT FOOTER
- ⊗ - CENTER POST & GUIDERAIL SUPPORT
- - CENTER POST
- ◁ - CENTER DOWNSPOUT GUARD W/ CENTER POST
- ⊕ - CENTER DOWNSPOUT GUARD W/ CENTER POST AND GUIDERAIL SUPPORT
- ◁ - CENTER DOWNSPOUT GUARD
- ⊗ - SIDE WALL POST W/DOWNSPOUT GUARD
- ◁ - SIDE DOWNSPOUT GUARD
- ⊗ - SIDE WALL POST W/ GUIDERAIL SUPPORT
- ⊖ - SIDE WALL POST
- * - HANGER ROD
- || - FRAME SPLICE

NOTES:

- A. CONTROL BY OTHERS
- B. 1 1/2" DRAIN OPEN TO ATMOSPHERE AND TO EXTEND 3" ABOVE FLOOR
- C. 2 HP TOTALLY ENCLOSED MOTOR; 240V/60Hz/3PH
- D. 2" STEAM SUPPLY LINE AT 10-15 PSI; 13.5 BHP
- E. TAP WATER THRU 1/4" LINE

ITEM	PART NO.	QTY	DESCRIPTION
LIST OF MATERIALS			
GENERAL ARRANGEMENT 4 WIDE x 5-1/2 DEEP MODEL 110A 38-7/8" C/C - DBE - HEAVY DUTY SYSTEM			
REVISIONS			
A) REV. PER CUST. INFO; MJK 10-23-92			
DRAWN E. Brackman	CHECKED		
DATE 10-2-92	SCALE 3/8"=1'-0"		
THE FRED D. PFENING CO. COLUMBUS, OHIO 43212			REVISION A