

Burford®

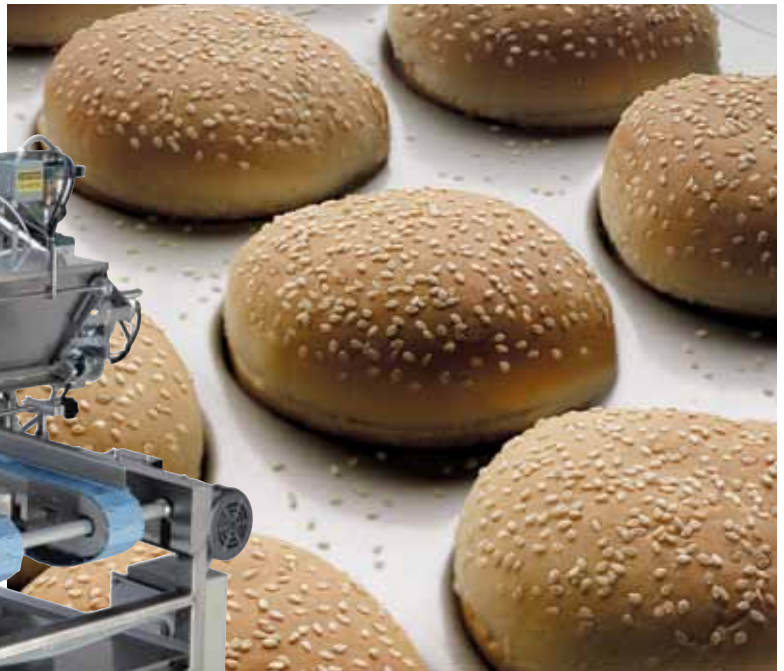
BURFORD® ROTARY SEEDER/TOPPER

MODEL 9200ES/RIGHT HAND & MODEL 9300ES/LEFT HAND

Accurately applies a smooth coverage of a wide variety of toppings to baked goods.



RIGHT HAND MODEL 9200ES SHOWN
WITH OPTIONAL CONVEYOR
PATENT NO. 4,611,555



PERFECT SEED PLACEMENT, INCREDIBLE ADHESION
PAN AFTER PAN...

- Stainless Steel Construction
- Exclusive Patented Design
- Quick Change Pattern Mandrel
- Even Seed & Topping Distribution
- Baker Oriented Controls & Adjustments
- Applies Wide Variety of Toppings
- Precision Electronic Spray System
- Provides Maximum Seed Savings

Designed especially for accurate application of seed and toppings, the Patented Burford® Rotary System provides complete control and adjustability.

PRACTICAL SOLUTIONS THROUGH INNOVATIVE TECHNOLOGIES


CALL US TODAY 1-877-BURFORD (287-3673)

P.O. Box 748 • Maysville, OK 73057 • Telephone (405) 867-4467 • Fax (405) 867-4219 • e-mail: sales@burford.com • web site: www.burford.com

Copyright © Burford Corp. All rights reserved. Burford Corp. is a registered trademark with the US Patent & Trademark Office.

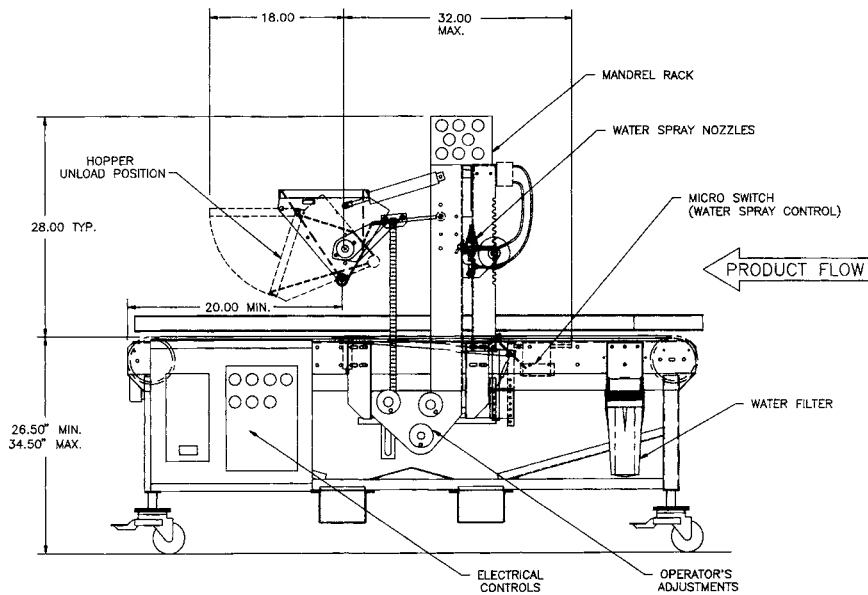
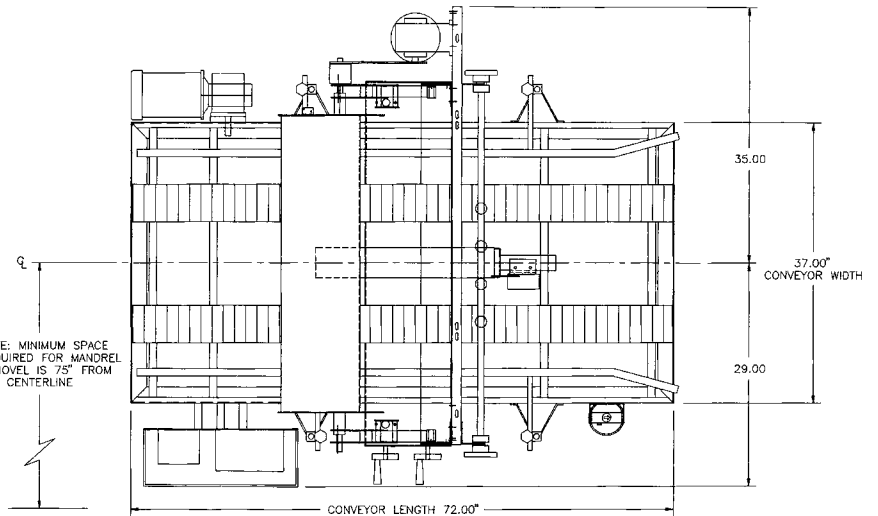
ROTARY SEEDER/TOPPER

With Optional Conveyor

Burford


Options:

- Additional Wetting Nozzles
- Alternate Conveyor Elevations
- Alternate Conveyor Length & Width
- Automatic Seed Filling System
- Low Level Alarm
- Alternate Electrical Specifications
- Hopper Agitator for Oats, Bran, etc.
- Deflector Bar for Oats, Bran, etc.



SPECIFICATIONS

ELECTRICAL

110 VOLTS, 60HZ, 1 PHASE (STANDARD)

14.9 AMP. MAXIMUM

AIR REQUIREMENT

90 PSI @ 1 CFM

MOTORS

1/3 H.P. VARI SPEED D.C. (SEEDER)

1/2 H.P. (3.6 AMP.) A.C. (CONVEYOR)