



**SAVAGE  
BROS. CO.**  
S I N C E 1 8 5 5

*A 21<sup>st</sup> Century Company . . . with 19<sup>th</sup> Century Craftsmanship*

1125 Lunt Avenue  
Elk Grove Village, IL 60007-5023 USA



Phone: 847-981-3000  
USA Fax: 800-2-SAVAGE  
World Fax: +847-981-3010

E-mail: info@savagebros.com  
Web: www.savagebros.com

# LifTILTruk® Bowl Lift

## Normal & Heavy Duty Series

### Models B, C, & D . . . Up to 240 qt bowls



- Models for pours up to 104"
- 12 volt hydraulic lift with on-board battery & charger
- Hand-wheel tilt or push-button power tilt
- Models to match most mixers and depositors
- Custom configurations available



Add an  
on-board scale

Pour bowl directly into  
depositor hopper



Lift rectangular  
bins and tubs



Lift Rubbermaid Brute  
pails and drums



Lift hot kettle off the  
Savage FireMixer





**SAVAGE  
BROS. CO.**  
S I N C E 1 8 5 5

*A 21<sup>st</sup> Century Company . . . with 19<sup>th</sup> Century Craftsmanship*

1125 Lunt Avenue  
Elk Grove Village, IL 60007-5023 USA

Phone: 847-981-3000  
USA Fax: 800-2-SAVAGE  
World Fax: + 847-981-3010  
E-mail: info@savagebros.com  
Web: www.savagebros.com

## FEATURES OF SAVAGE LIF TIL TRUK™

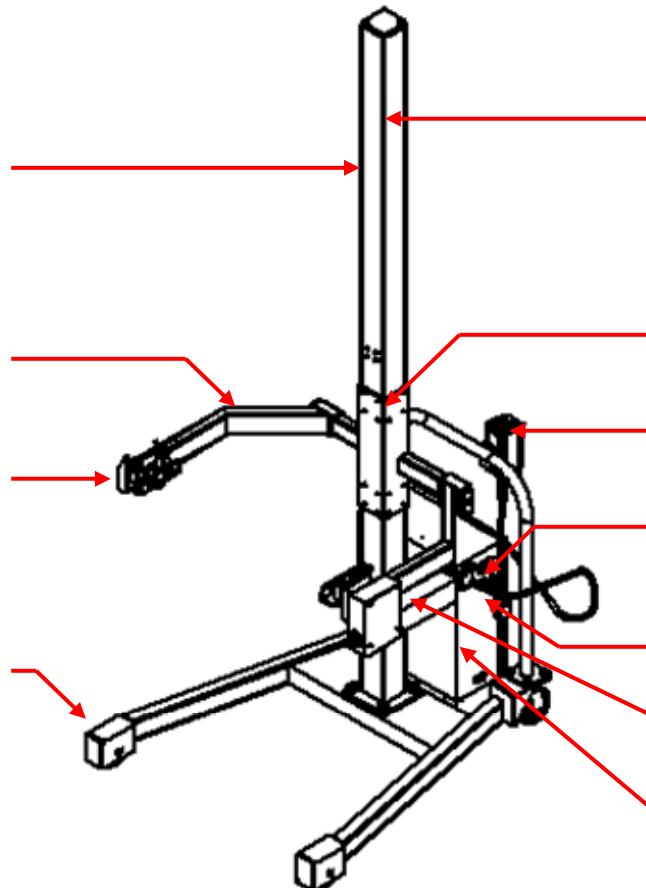
- One person operation
- Fail-Safe Lift & Tilt
- Push-Button controlled tilting
- Pour bowl at any point along vertical lift
- Self-contained power for safe, cordless use
- Easy-to-clean surfaces

Models for pouring heights from  
3 feet / 900 mm to over  
8 feet / 2700 mm

Arms adjust for different diameter  
mixing bowls and kettles

Self-locking mechanism to hold  
bowl safely –automatically  
engages – no tilt unless properly  
engaged

Low profile base on heavy-duty  
casters



Heavy-duty column  
machined 4 sides & Electroless  
Nickel Plated for smooth lifting

Easy-slide tube

Stainless steel operator pendant  
station on 6' cord

Tilt safety circuit breaker with  
Amp & Volt meters to monitor  
power source

Emergency Stop button

Powered Tilt drive  
(hand-wheel tilt available)

Fail-Safe hydraulic system with  
on-board 12VDC power source and  
standard voltage AC re-charger

**Models for pours from 3 feet / 900 mm to over 8 feet / 2700 mm**

**Handles bowls, kettles and other containers up to 450 Lb / 200 Kg capacity**



**SAVAGE  
BROS. CO.**  
S I N C E 1 8 5 5

*A 21<sup>st</sup> Century Company . . . with 19<sup>th</sup> Century Craftsmanship*

1125 Lunt Avenue  
Elk Grove Village, IL 60007-5023 USA

Phone: 847-981-3000  
USA Fax: 800-2-SAVAGE  
World Fax: + 847-981-3010  
E-mail: info@savagebros.com  
Web: www.savagebros.com

## THE LIF TIL TRUK™ BOWL LIFT KEY CHARACTERISTICS

1. **Designed with safety in mind.** Construction and safety features have been “informally” reviewed by OSHA and meet the standard. Savage holds several U.S. patents on key safety features of the unit.
2. Our unit's construction is of steel for strength; the base and arms are powder painted for durability. The **vertical column has a heavy-duty construction, machined on all four sides with an Electroless Nickel Plated surface** – smooth, trouble-free operation.
3. The bowl is lifted by mean of a hydraulic pump and piston. Our **hydraulic system is rated to 1,000 Lb / 450 Kg** and includes a chain assist that is rated 7X over the lifting capacity.
4. Our **hydraulic system is "fused"**, which means that should hydraulic pressure be lost for any reason, including rapid loss of fluid, the bowl will not fall. Rather, the fuse will maintain pressure and slowly lower the bowl.
5. The 12 Volt DC battery that powers the hydraulic pump and tilt motor is a sealed unit of a marine type rated for **185 reserve minutes**. Power cord free for lifting and pouring.
6. The **on-board 110 Volt AC battery charger** is significantly "over rated" for application for trouble free performance. 220 Volt 50 Hz units available for operation outside of North America. Just plug into standard electrical outlet to recharge when unit not in use.
7. The casters are 5" diameter, 2 fixed in front and 2 swivel in rear. All **casters are rated for 900 lbs each**.
8. The unit will pick up Savage kettles directly and most manufacturers' mixing bowls and containers adapted with non-interfering straps. Containers adapted with proper handles **automatically lock** into the LifTILTruk arms **for fail-safe tilting**.
9. For proper and safe tilting of a mixing bowl, Savage provides stainless steel straps with handles for easy mounting on the bowl. ***Neither the Hobart installed bowl handles nor the mixer mounting ring on the bowl were designed for use as a tilting pivot. These bowl components may not withstand the torque stress associated with repeated tilting.***
10. Manufactured in the U.S.A.

**SAVAGE BROS has manufactured and placed in service over 2,100 LifTILTruks!**



**SAVAGE**  
**BROS. CO.**  
SINCE 1855

SAVAGE BROS. CO.  
LIFT/TRUK® SPECIFICATIONS

HYDRAULIC 12 VOLT DC LIFT AND TILT		MODEL					
On-board 120VAC (or standard country voltage) Charger		B - #0710		C - #0712		D - #0717	
SLIDE TUBE	MAXIMUM POUR HEIGHT	inches	mm	inches	mm	inches	mm
Standard	140 Qt Bowl	53	1346	77	1956	105	2667
	60 & 80 Qt Bowl	55	1397	79	2007	107	2718
Scale	140 Qt Bowl	48.5	1232	66.5	1689	96.5	2451
	60 & 80 Qt Bowl	51.5	1308	69.5	1765	99.5	2527
		Lbs	Kg	Lbs	Kg	Lbs	Kg
LIFTING CAPACITY		450	200	450	200	450	200
MACHINE HEIGHT		inches	mm	inches	mm	inches	mm
	Column Height	82	2083	100	2540	130	3302
	Machine Height	88	2235	106	2692	136	3454
	Minimum Pickup off Floor	14	356	14	356	14	356
BASE DIMENSIONS		inches	mm	inches	mm	inches	mm
	Width	32	813	39	991	46	1168
	Length	42	1067	48	1219	48	1219
	Height	6	152	6	152	6	152
SHIPPING DATA		inches	mm	inches	mm	inches	mm
Crate #1	Width	42	1067	47	1194	52	1321
	Length	48	1219	54	1372	50	1270
	Height	94	2388	45	1143	45	1143
Crate #2	Width			34	864	34	864
	Length			110	2794	140	3556
	Height			13	330	13	330
Weight of shipment		Lbs	Kg	Lbs	Kg	Lbs	Kg
		600	273	650	296	720	328

Phone: (847) 981-3000  
USA Fax: (800) 2-SAVAGE  
World Fax: (847) 981-3010  
E-mail: info@savagebros.com

For special requirements, please contact factory.  
\* Off-chart pouring heights  
\* Ceiling height restrictions  
\* Different bowls or containers  
\* USDA washdown environments



**SAVAGE**  
**BROS. CO.**  
SINCE 1855

