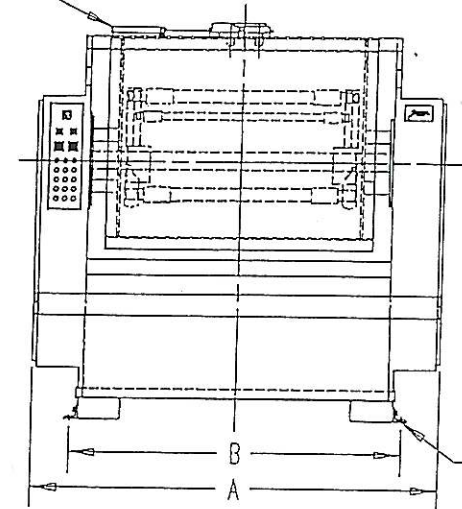


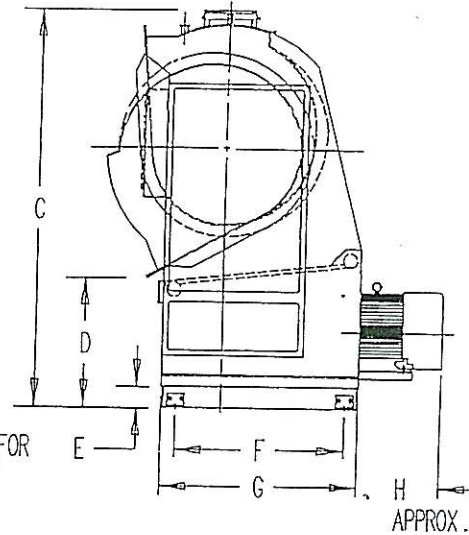
2" LIQUID INLETS

60 PSI MIN - 120 PSI MAX  
1/4" LINE FROM AIR SUPPLY



A  
B

1-1/16" HOLE FOR  
7/8" LAG BOLT  
4 PLACES.



C

D

E

F

G

H  
APPROX.

MIXER SIZE	DRIVE MTR. H.P.	DOUGH CAPACITY		DRIVE MTR. KW LOAD	DIMENSIONS								NET WEIGHT
		LBS.*	CUFT.**		A	B	C	D	E	F	G	H	
3	20/10	540 LBS	17.2 FT3	16.5	73-3/16"	56-1/8"	89"	32"	6"	34"	41"	14-3/4"	6,100
4	30/15	800 LBS	24.0 FT3	24.0	80-3/16"	60"	97-7/16"	32"	6"	40"	48"	15-3/16"	9,800
5	40/20	900 LBS	29.7 FT3	31.2	86-1/8"	66"	97-3/16"	32"	6"	40"	48"	17"	12,000
10	50/25	1000 LBS	29.7 FT3	38.7	86-1/8"	67"	97-3/16"	32"	6"	41"	48"	18"	12,100
13	60/30	1300 LBS	43.5 FT3	47.2	95-3/8"	74"	110-1/4"	36"	6"	49"	56"	18-7/8"	16,400
16	75/37.5	1600 LBS	53.0 FT3	57.0	105-3/8"	84"	110-1/4"	36"	6"	49"	56"	19-1/8"	19,900
20	100/50	2000 LBS	60.5 FT3	77.0	115-3/8"	94-1/8"	110-1/4"	36"	6"	48"	56"	23-7/8"	20,600
25	125/62.5	2500 LBS	60.5 FT3	95.2	115-3/8"	94-1/8"	110-1/4"	36"	6"	48"	56"	23-7/8"	21,000

NOTES: \* Dough Capacity in Pounds Based on 65% Absorption, White Bread/Bun Doughs.

\*\* Dough Capacity in Cubic Foot Based on Base Bowl Volume Per ASBE.

Due to the continuous effort of Shaffer Manufacturing Corporation to improve performance, dimensional data and specifications are subject to change without notice. Consult SMC Engineering Department for confirmation of data.