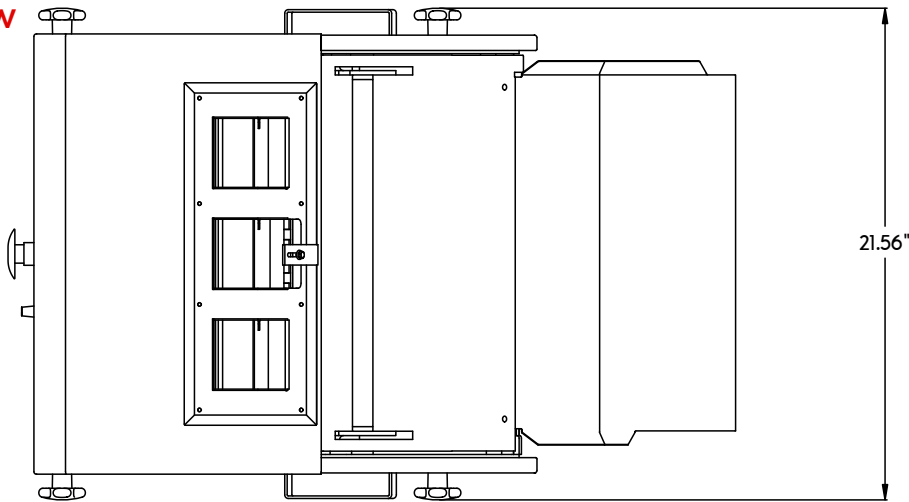


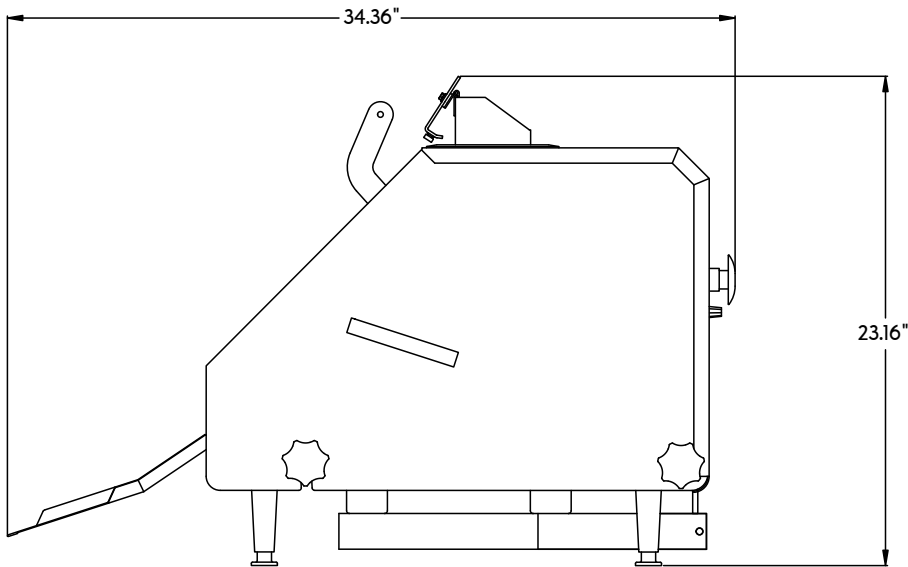
# LARGE WEDGE PRESS

## AUTOMATIC FLATBREAD PRESS

FRONT VIEW



SIDE VIEW



**x2**  
DOUBLE DROP  
FEATURE



DIAMETER FROM  
4" TO 10"



1800/HR.



HIGH  
PRODUCTION



PRESSED IN  
SECONDS



AUTOMATIC

<b>VOLTS</b>	220V/240V	<b>WEIGHT</b>	215LBS.
<b>AMPS</b>	37.5	<b>DIMENSIONS</b>	36.6" L X 18.7" W X 25.4" H
<b>CYCLES</b>	60HZ	<b>ELECTRICAL</b>	 <b>PLUG:</b> NEMA 10-50P (250V~)  <b>RECEPTACLE:</b> NEMA 10-50R (250V~)
<b>PHASE</b>	SINGLE	<b>POWER</b>	9000 WATTS



\*Production may vary due to the operator experience, diameter and thickness of product.

BE&SCO EQUIPMENT IS SOLELY INTENDED FOR USE IN A COMMERCIAL FACILITY.



REVISED: 01/21/2021