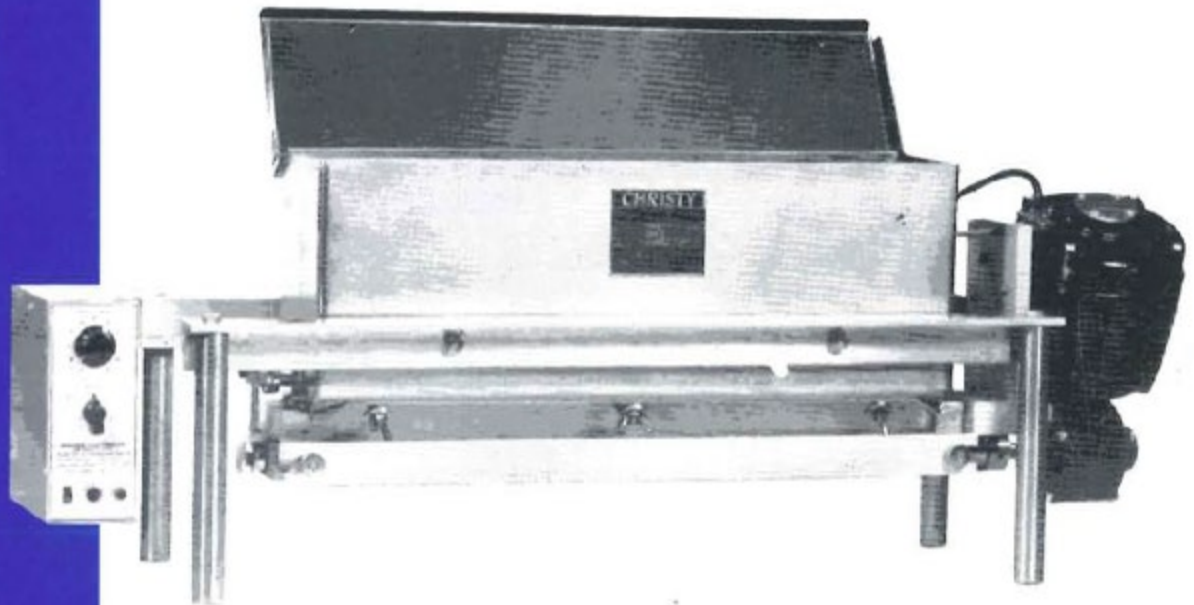


[®]
CHRISTY

DRY MATERIAL
Dispensing Machines
control coating thickness



CMC
CHRISTY
MACHINE & CONVEYOR
Ingredient Dispensing Systems
Since 1953

Dispensers that offer a vast range of deposit solutions

Applications. A range of dry materials can be handled, from ultrafine grains (such as flour or talc) to coarse materials (such as pellets, seeds or resins). Precise flow rates can be controlled with simple adjustments and will continue automatically at a constant rate. These include materials such as:



flour



Sesame seeds



nuts

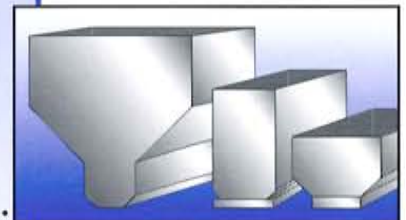
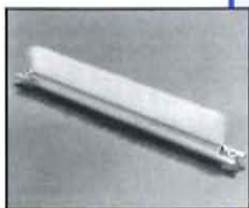


plastic pellets
or granules

*Christy Dry Material Dispensing Machines--
known as Siv-O-Duster®--automatically provide a
continuous, controlled flow of dry coatings, films or toppings.*

Features

- Customized sizes: lengths and heights
- Every application geared for **consistent** results
- Infinite **speed controls** according to your needs
- Selection of **mountings** to fit your operation
- USDA-listed **hoppers** in various sizes meet food processing standards.....
- Interchangeable **dispensing shafts** for different materials are quickly removable for cleaning
- Polyurethane **wipers** or Nylon **brushes** remove excess dispensed material
- Totally-enclosed 1/6, 1/12 or 1/17 hp. **motors** are standard
- DC or AC drive

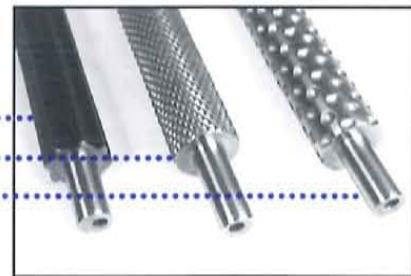


Operation. Designed for trouble-free usage, the dispenser is based on a dispensing shaft rotating at the base of a deep "V" hopper. The shaft rotates against nylon brushes and polyurethane wipers, which act as wipers to remove excess material as it drops into the "V". Movable interior walls of the hopper agitate to assure continuous flow and reduce bridging or hang-up of material held in the hopper. Each depositor system is a *ready-to-run* assembly.

Usage. Precise control of the thickness of the film or coating dispensed is made possible by varying the type of shaft, the speed of the shaft and by regulating the pressure between the nylon brushes and polyurethane wipers and the shaft. The variable speed control, range of hopper sizes and types of dispensing shafts allow nearly unlimited choice of material particle sizes. The steep walls of the hopper and the vibratory action of the movable walls agitating throughout the incline of the hopper reduce or eliminate hang-ups.

Shafts and hoppers. According to the coarseness of the material to be dispensed, there are several standard types of shafts:

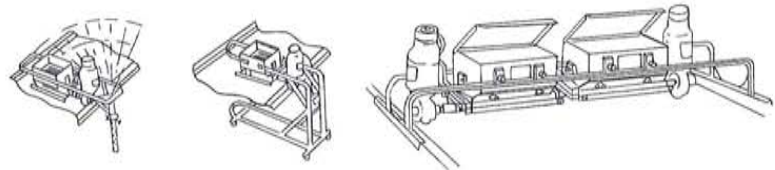
- Grooved** - for coarse, granular media
- Knurled** - for fine, powdery media
- Spot-drilled** - for coarse, granular media



Christy specialists can assist you in the selection of appropriate shafts for your specific needs.

Hoppers can be loaded automatically or manually. Capacities are varied to meet your needs or space requirements. When an exceptionally wide deposit area--over 72 inches--must be covered, two (or more) dispensing machines can be staggered for coverage.

Mounting options. The C-FRAME mount on casters allows easy movability. Angle IRON FRAMES can be installed to span a conveyor, or TRACKS will permit a dispenser to slide above the conveyor. On a vertical POST, the machine can pivot into position. BRACKETS allow mounting on a horizontal or vertical surface.



Free testing on problem materials is available from Christy. After we discuss your requirements with you, we ask that you provide a 20-lb. sample for testing. Christy machines have solved many dispensing problems through the years--likely we can solve yours, too.

Optional Equipment

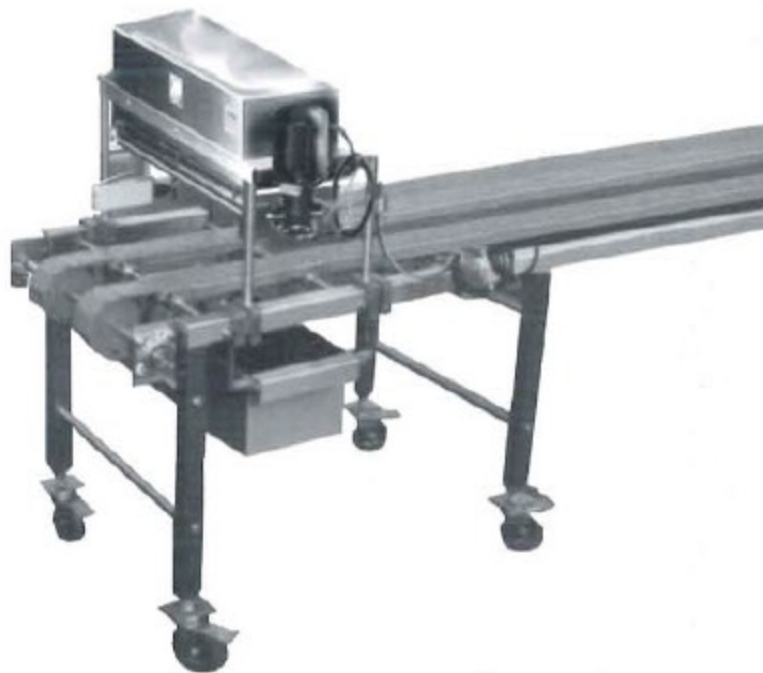
- Automatic start/stop controls
- Controls can be on-machine or remote: digital readouts available
- Types of motors include explosion-proof, AC, DC, pneumatic or stainless steel
- Conveyor/depositor systems
- Fill systems, and recovery systems for recycling
- Internal agitation
- Product sensors
- Hopper level indicators
- Speed indicators
- Special controls: electromechanical, optical, counting, time delay, explosion-proof
- Dispensing pattern controls
- Custom hoppers, including insulation and hinged lids

See our Accessories folder for all available options

Dry Dispensing Machines also are known as Coat-O-Matic, Siv-O-Topper, Siv-O-Topseeder, and Siv-O-Seasoner



C-frame configuration allows movement from one processing line to another.



Conveyor assembly is movable, incorporating a Christy Dry Material Depositor. Many conveyor types are available.

What makes Christy the industry leader?

For half a century, Christy has solved material dispensing requirements in thousands of applications. As a result, Christy has earned a worldwide reputation for quality machines that work with reliability.

Along with this recognition, we have become experts in the top and surface coating field. Likely, we can solve *your* coating process problems, too. Call us today.

Christy manufactures machines such as these to automate your coating process:

- Dry Material Dispensing
- Moist Material Dispensing
- Cohesive Material Dispensing
- Fine Grain Material Dispensing
- 360° Coating
- Agglomerated Material Deposition
- Spot Deposition on Round Products
- Icing Coating
- Bottom Dusting
- Extrusion Coating

CMC
CHRISTY
MACHINE & CONVEYOR
Ingredient Dispensing Systems
Since 1953

P.O. Box 32 • 118 Birchard Avenue • Fremont, OH 43420
419 332-6451 • Fax: 419 332-8800

Made in U.S.A. • Covered by U.S. and foreign patents.
Trademarks registered. Printed in the U.S.A. • © 2000 Christy Machine Company.

CHRISTY INDUSTRIAL DISPENSING MACHINES
Operating Instructions and Specifications
Model D-S / Model DI-S / Model DE-S

POWER: Ordinary 115-volt circuit. Special Request 208-230/460 VAC.

MOTOR: Standard 115 volt, totally enclosed motor included with each "D", "DI", or "DE" machine. Model "D" includes a 1/6HP motor. Model "DI" includes a 1/6HP. Model "DE" includes a 1/6HP motor up to 18" dispensing length; and above 18" includes a 1/2HP Washguard. 208-230/460V available upon request.

M.C.U.: Standard 115 volt, totally enclosed motor control unit included with each "D", "DI" or "DE" machine. The proper M.C.U. will correspond to the HP of the standard motor included.

BEARINGS: Dispensing shaft bearings – Sealed Roller Bearings. No grease cups. No oiling. No maintenance. Designed to meet sanitary and safety codes.

ROTARY DISPENSING SHAFT: For Siv-O-Duster: Knurled: Extra Fine, Fine, Medium, Coarse, or Extra Course, to suit individual requirements.
For Siv-O-Topper: Grooved: Shallow, Medium or Deep, to suit individual requirements.
For Siv-O-Topseeder: Drilled: Shallow, Medium or Deep, to suit individual requirements.

BRUSHES: Siv-O-Duster – two Nylon Brushes are counter-opposed against the Rotary Dispensing Shaft outside the Hopper. Both Brushes are secured in Channel Holders and are adjustable for contacting the Rotary Dispensing Shaft by means of Thumb Screws. Brushes are channel-locked; designed to prevent shedding. Siv-O-Topper – same except that one of the opposing Brushes' is replaced by a Deflector Plate or a Pattern Control Plate to suit individual requirements.

AGITATION: One agitator blade oscillates inside Hopper and is linked to two Inside Movable Walls. This combination agitates the material being dispensed, and is designed to prevent "bridging" in the Hopper.

ADJUSTMENTS: There are four (4) adjustments to the machine to obtain the desired flow and metering of dispensed materials;

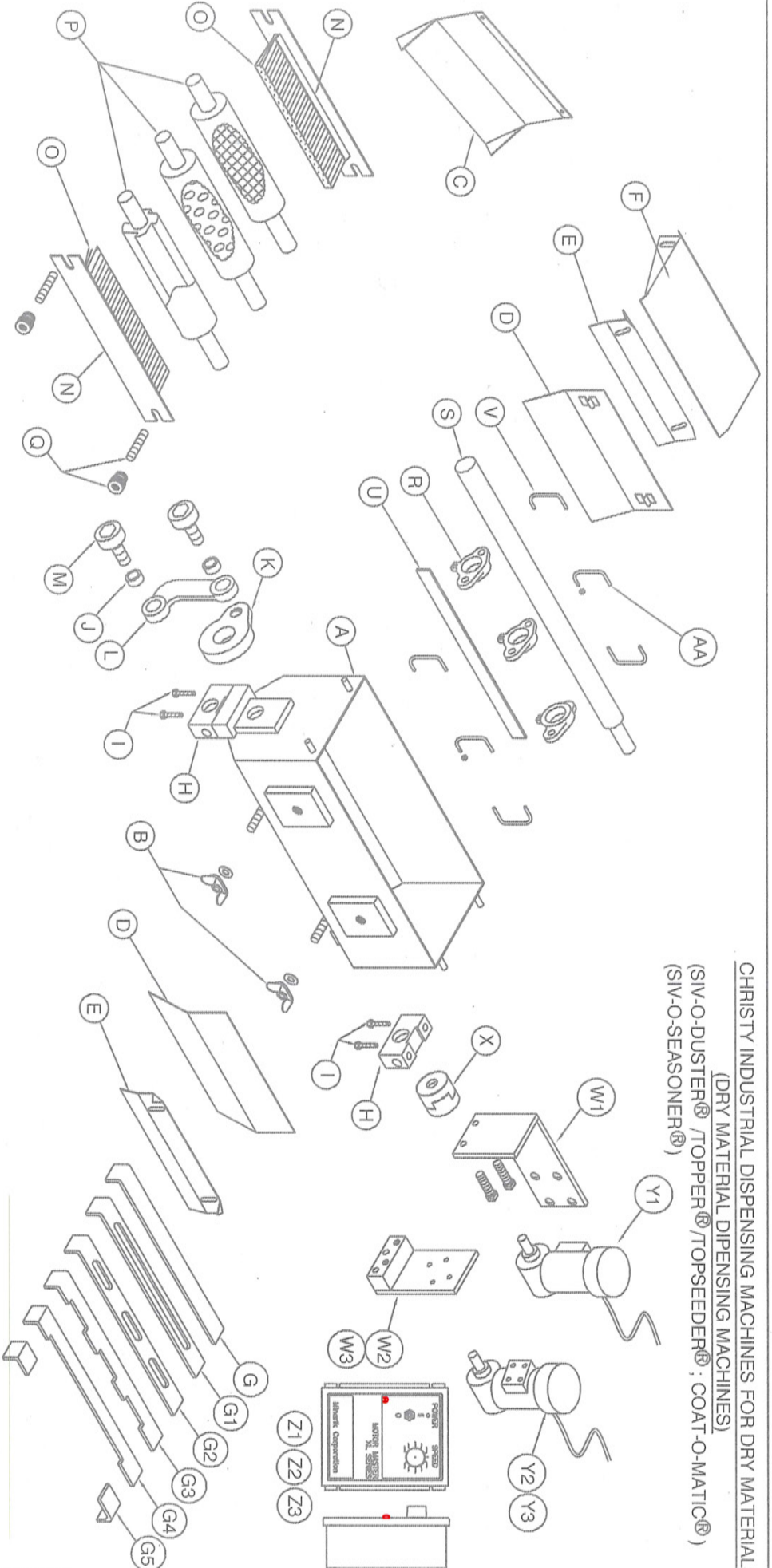
1. RPM of the Dispensing Shaft is controlled by the M.C.U. (Motor Control Unit).
2. Four Thumb Screws adjust the Outside Brush Holders so the Brushes contact the Rotary Dispensing Shaft.
3. The two Density Adjusting Plates bolted to the outside of the Hopper control density of the flow. Elongated Bolt Slots and Wing Nuts position these. By loosening the Wing Nuts these Plates may be moved up, to increase the flow; or down, to reduce the flow. The upper corners of the Plates are bent out to serve as handles.
4. Dispensing width and pattern are regulated by Block-Offs and Slide Adjusters operated manually from the end of the Hopper away from the Motor. See Siv-O-Duster/Topper/Seeder Parts List. When interchanging one Rotary Dispensing Shaft for another: (1) Remove Agitator Link Screw and Agitator Link from the Shaft; (2) Loosen Set Screw in Flexible Coupling connecting Motor to Shaft; (3) Remove the two Bearing Block Bolts and pull Shaft out gently so as to avoid Bearing damage to Motor end; (4) Reverse procedure to install new Shaft, taking care that Bearing Blocks do not bind Shaft and thus place unnecessary drag on Motor.

INSTALLATION: Mounting Blocks-Bosses located on both sides of "D" Hopper are drilled and tapped for 5/16" Bolts. Mounting brackets to be adapted at individual installation. Two Horizontal Framework Rails are located on both sides of "DI" and "DE" Hopper. Note pictures in descriptive literature for suggestions. Also for Mounting Suggestions refer to sheet #8-77 CMC. We suggest that the M.C.U. be table-mounted or mounted on a separate plate or bracket, on or near the Siv-O-Duster/Topper/Seeder; support mounting, unless remote control is necessary.

PARTS: All parts are standard and interchangeable in accordance with model, size, age and type. Special sizes or parts on special request. To order parts for repair or replacement refer to new Parts List.

Copyright: Christy Machine Company, Fremont, Ohio – 2017. Printed in U.S.A.

CHRISTY INDUSTRIAL DISPENSING MACHINES FOR DRY MATERIALS
 (DRY MATERIAL DISPENSING MACHINES)
 (SIV-O-DUSTER® / TOPPER® / TOPSEEDER® ; COAT-O-MATIC®)
 (SIV-O-SEASONER®)



PART	DESCRIPTION	NO. REQ'D.
A	HOPPER WITH MOUNTING BLOCKS	1
B	WASHER AND WING NUT	4
C	DEFLECTOR PLATE (SIV-O-TOPPER ONLY)	1
D	MOVABLE WALL (INSIDE)	2
E	DENSITY ADJUSTING PLATE (OUTSIDE) WITH PART B	2
F	HOPPER COVER	1
G	SLIDE ADJUSTER AND ALTERNATES	1
H	DEL-RIN BEARING BLOCKS	2
I	BEARING BLOCK BOLTS	4
J	BUSHINGS	2
K	AGITATOR ARMS	1
L	AGITATOR LINK	1
M	AGITATOR LINK - SCREWS	2
N	OUTSIDE BRUSH HOLDER (SIV-O-TOPPER-1)	2
O	OUTSIDE BRUSH (SIV-O-TOPPER-1)	2
P	DISPENSING SHAFT (ROTARY)	1

PART	DESCRIPTION	NO. REQ'D.
Q	BRUSH HOLDER STUD AND THUMB SCREW (SOT:2)	4
R	AGITATOR BLADE YOKE	2
S	AGITATOR BLADE SHAFT	1
T		
U	AGITATOR BLADE	1
V	MOVABLE WALL LINK	4
W1	MOTOR MOUNT 1/17 HP MOTOR	1
W2	MOTOR MOUNT FOR 1/12 HP MOTOR	1
W3	MOTOR MOUNT FOR 1/6 HP MOTOR	1
X	FLEXIBLE COUPLING	1
Y1	SPEED REDUCER MOTOR - 1/17 HP	1
Y2	SPEED REDUCER MOTOR - 1/12 HP	1
Y3	SPEED REDUCER MOTOR - 1/8 HP	1
Z1	MOTOR CONTROL UNIT FOR 1/17 HP MOTOR	1
Z2	MOTOR CONTROL UNIT FOR 1/12 HP MOTOR	1
Z3	MOTOR CONTROL UNIT FOR 1/6 HP MOTOR	1
AA	MOVABLE WALL LINK WITH NUT (MACHINES OVER 24" LONG)	1



118 Birchard Avenue P.O.Box 39
 Fremont, OH 43420
 Office: (419) 332-6451
 Fax: (419) 332-8800
 Email: cmc1@cros.net
 www.christymachine.com

CNMC

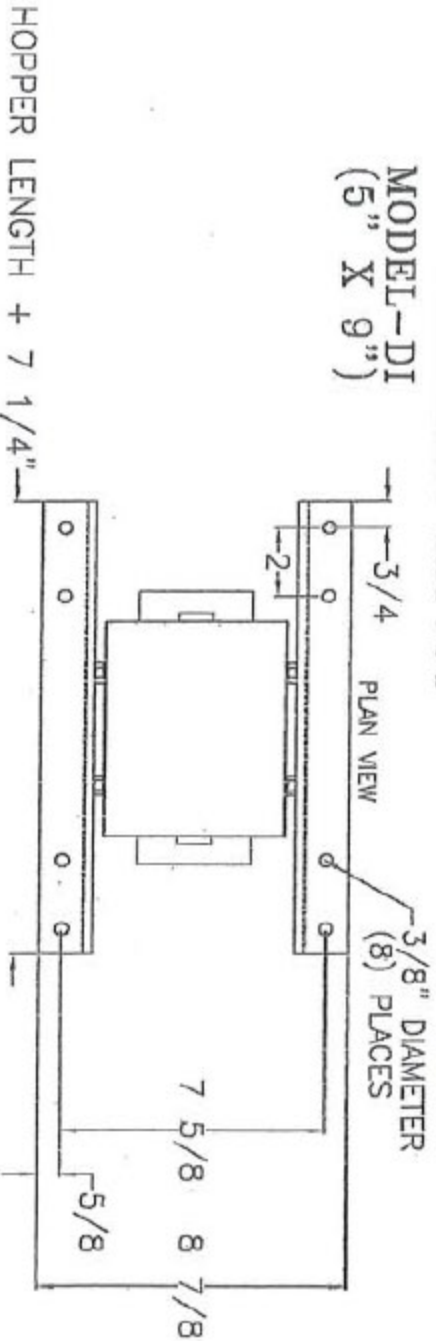
CHRISTY

MACHINE & CONVEYOR

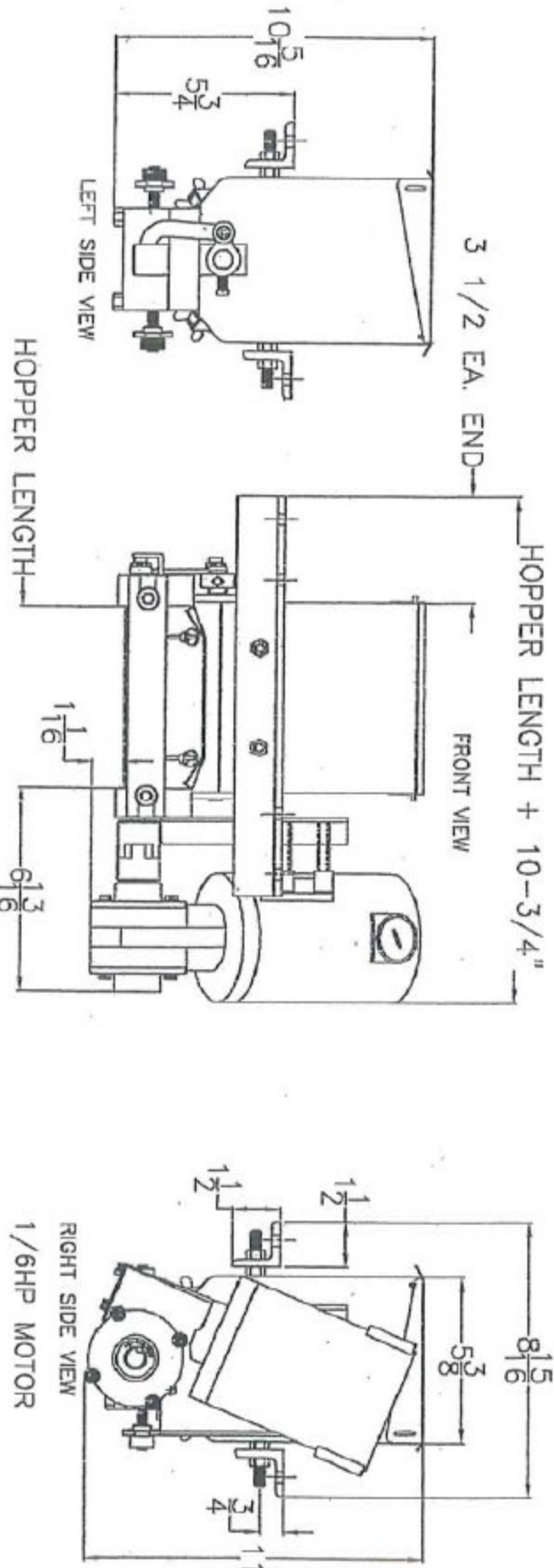
NOTE:
 MOTOR CONTROLLER UNIT
 (NOT SHOWN) MAY BE
 PANEL MOUNTED,
 MOUNTED ON SUPPORT
 FRAME, OR CONVEYOR

MOUNTING AND DIMENSION LAYOUT

MODEL-DI
 (5" X 9")



HOPPER LENGTH + 7 1/4"



WITH 1/6 HP STANDARD GEAR MOTOR

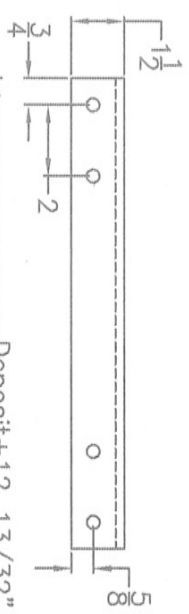
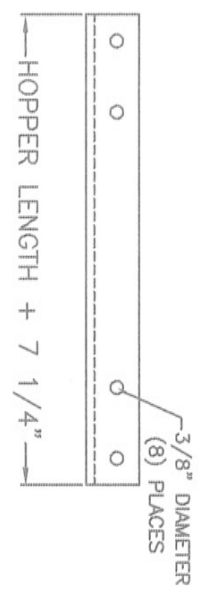
DILAYOUT 16

NOTE:
 MOTOR CONTROLLER UNIT
 (NOT SHOWN) MAY BE
 PANEL MOUNTED,
 MOUNTED ON SUPPORT
 FRAME, OR CONVEYOR.

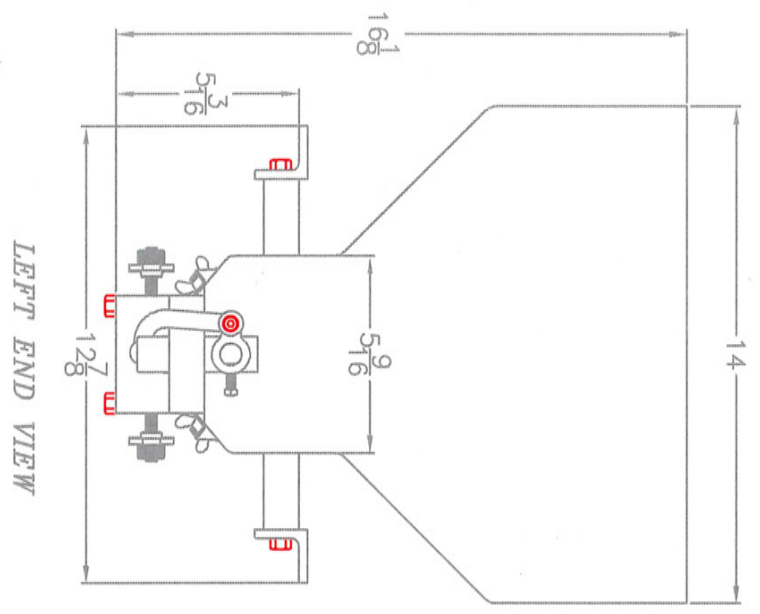
MOUNTING AND DIMENSION LAYOUT

MODEL-DE
 (14" X 14")

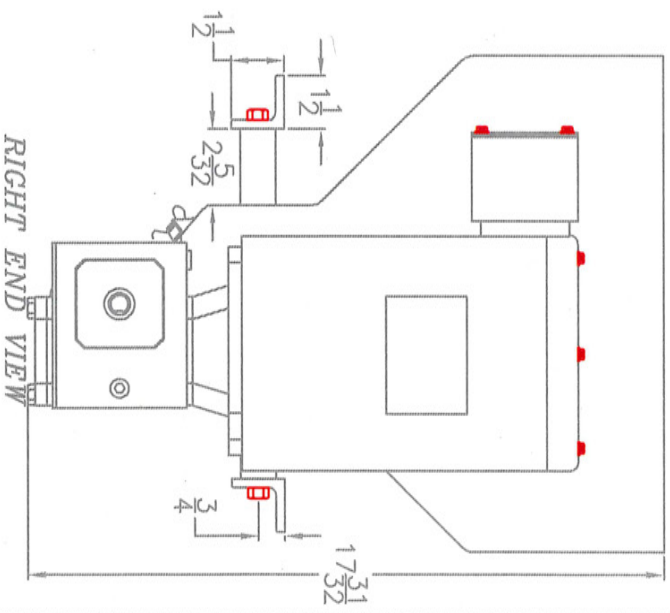
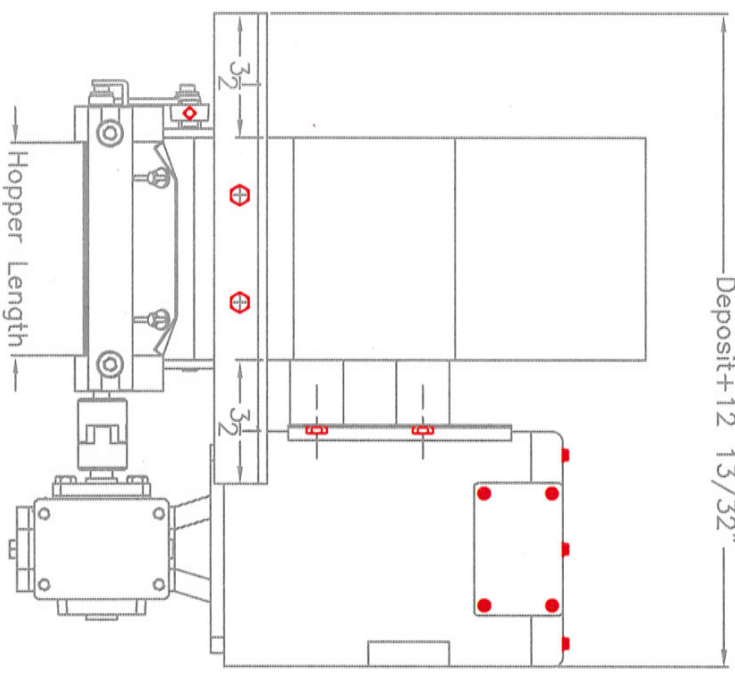
LEESON 1HP
 #191291 SST
 GROVE GEAR BOX



Deposit + 12 13/32"



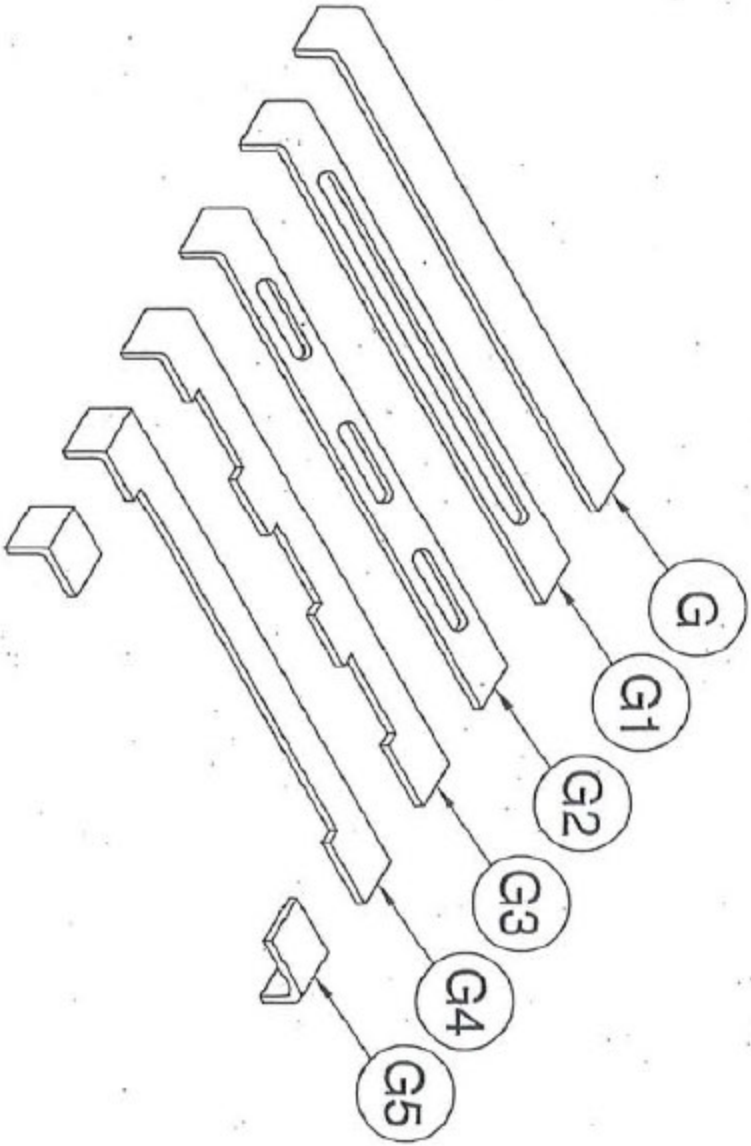
LEFT END VIEW



RIGHT END VIEW

CMC
 CHRISTY
 MACHINE & CONVEYOR

118 Birchard Avenue
 P.O.Box 39
 Fremont, OH 43420
 Office: (419) 332-6451
 Fax: (419) 332-8800
 Email: cmc1@cros.net
 www.christymachine.com



This print is the property of CHRISTY MACHINE COMPANY and is transmitted in confidence and the reproduction, use or disclosure, in whole or part, of the design or details contained herein is prohibited without the written permission of CHRISTY MACHINE CO.

SLIDE ADJUSTERS

C/M/C
 CHRISTY
 MACHINE & CONVEYOR

Fremont, Ohio
 U.S.A.

CNMC

CHRISTY
MACHINE & CONVEYOR

118 BIRCHARD AVE. P.O. BOX 32
FREMONT, OHIO 43420
PHONE: 419-332-6451
TOLL FREE: 888-332-6451
RANDY FIELDING

