

HOPPER TOPPER POWERLIFT

UNIFILLER®

The Hopper Topper Powerlift transfer pump will help keep your production flowing smooth. With our gentle pumping technology, your product will be quickly transferred without sacrificing quality. No matter if you process smooth cremes or doughs, chunky fruit- or nut fillings, soups, salads or sauces, the Unifiller transfer pump perfectly transports all kinds of products without affecting its properties.



BENEFITS

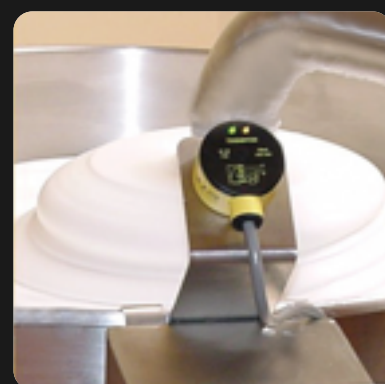
- Non-stop production and no heavy lifting required
- Pump designed to simulate gentle hand scooping
- Ability to draw product directly from the bowl
- Ergonomic power lift allows to change bowls without lifting
- Optical product sensor allows to maintain product level in hopper resulting in continuous production and improved portion control
- Tool free disassembly for quick and easy cleaning
- Versatility - fits most mixing bowls

FEATURES

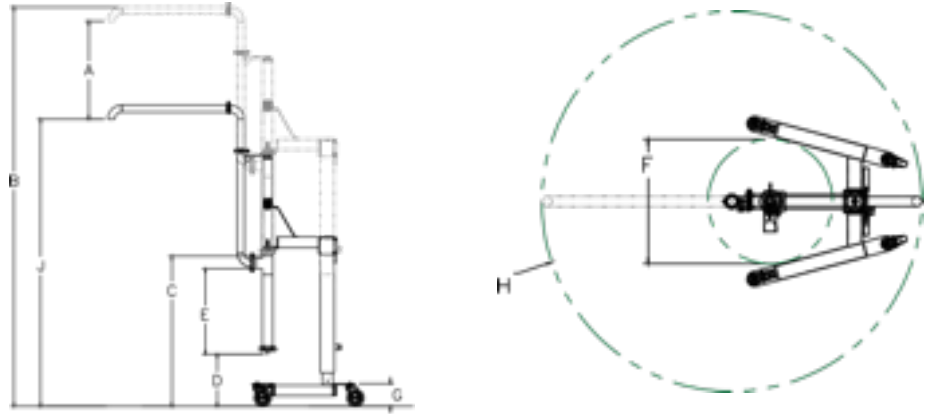
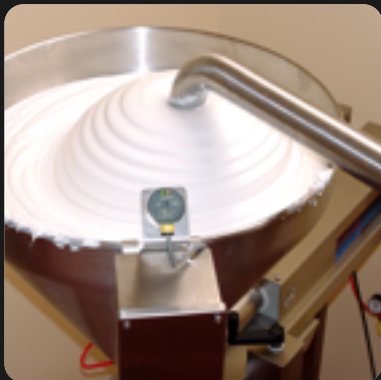
- Mobile all stainless steel construction stand with adjustable height to fit into different bowl sizes
- Flow control to adjust pump speed for different products
- Ergonomic power lift technology

SYSTEM INCLUDES

- Standard and extended depth versions available
 - Automatic start/stop hopper level control sensor
 - Quick start guide and spare parts kit
-



HOPPER TOPPER POWERLIFT



Specifications	Drawing	Powerlift	Powerlift Extended
----------------	---------	-----------	--------------------

Height

Power lift distance	A	28" / 71 cm	36" / 91 cm
Max. ceiling height in up position	B	114" / 290 cm	129" / 328 cm
Max. bowl rim clearance in up position	C	43" / 109 cm	45,3" / 115 cm
Max. bowl bottom to floor clearance	D	15" / 38 cm	11" / 28 cm
Distance bowl inlet and outlet (max. bowl depth)	E	24,5" / 62 cm	34,2" / 87 cm

Frame

Inside width	F	25" / 63 cm	32,4" / 82 cm
Bottom frame height	G	6" / 15 cm	6,7" / 17 cm
Pipe work reach	H	76" / 193 cm	76" / 193 cm
Max. ceiling height in low position	J	82" / 208 cm	89" / 226 cm

Shipping information	Powerlift	Powerlift Extended
----------------------	-----------	--------------------

Dimensions	602" x 34" x 20" 153 cm x 86 cm x 51 cm	70" x 38" x 22" 178 cm x 97 cm x 56 cm
Weight	250 lbs / 113 kg	275 lbs / 125 kg

SPEED

- Adjustable with air pressure regulator

VOLUME

- 11 - 49 litres/min.

POWER

- Air: 4 CFM at 100 psi (226,5 litres/min. at 6.9 bar)
- Electric: 230 V, 1 amp

PARTICLE SIZE

- Up to 1" (25 mm) soft pieces