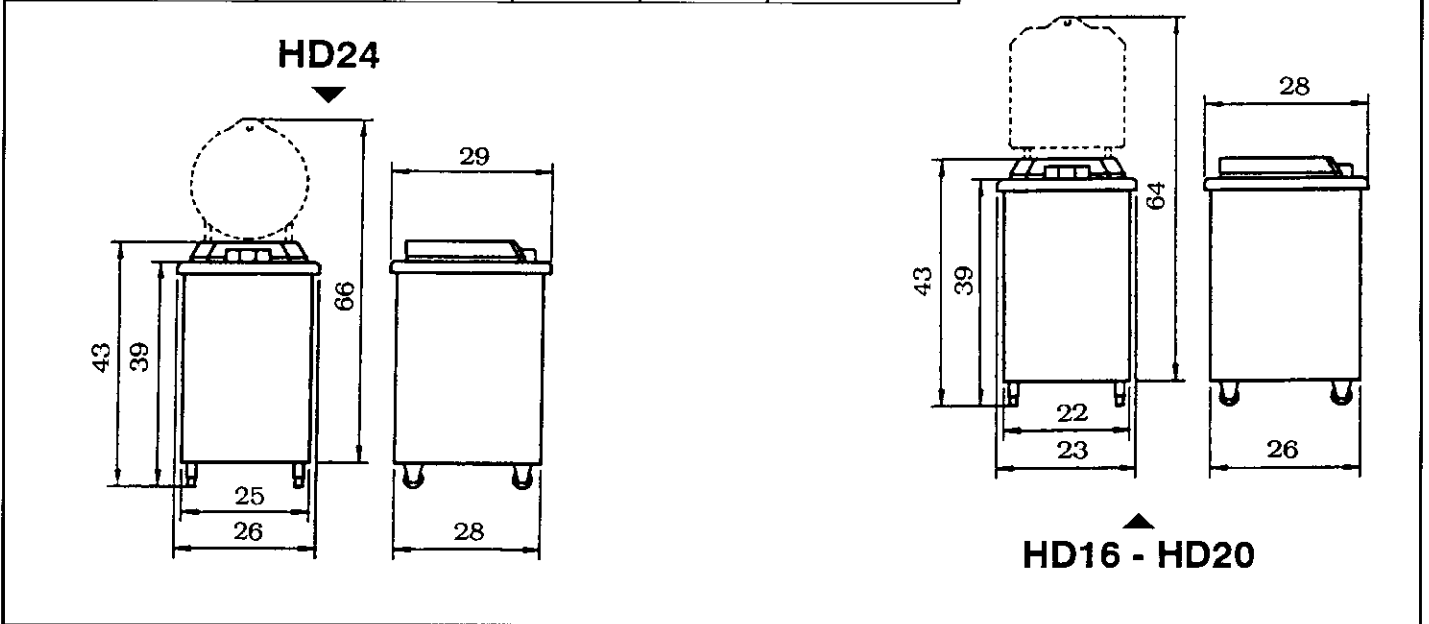


Features

- Heavy-duty steel framed body
- Stainless steel body panels
- Beveled stainless steel knives
- Treated and stabilized cast iron bowl
- Aluminum top lid with adjustable tension spring
- One single lever control
- Heavy duty closed hydraulic system to minimize maintenance
- Dual stage hydraulic ram

Specifications

Model	Weight Range		Volts		Phase	Hertz	Amps
ABSHDD-16	3.5 oz to 35 oz		208/220		3	60	7.4/6
ABSHDD-20	3.5 oz to 28.2 oz		208/220		3	60	7.4/6
ABSHDD-24	5.3 oz to 31.7 oz		208/220		3	60	7.4/6
	Dimensions (in.)				Shipping Weight		
	Width	Depth	Height	O/H			
ABSHDD-16 & 20	22"	25"	42.5"	63"	665		
ABSHDD-24	24.8"	27.3"	42.1"	65.3"	705		



Notes

- Supplied with heavy-duty casters
- Supplied with an 8-foot cord with twist lock plug



AMERICAN BAKING SYSTEMS, INC.
 3780 4th Ave., Bldg. A • P.O. Box 643
 Marion, Iowa 52302
 Phone: (319) 373-5006 Fax: (319) 373-5008



Authorized Dealer: