

AUTOMATIC BAGEL DIVIDERS & FORMERS



EXCELLENT BAKERY EQUIPMENT CO.





THE SPIRIT OF EXCELLENCE...

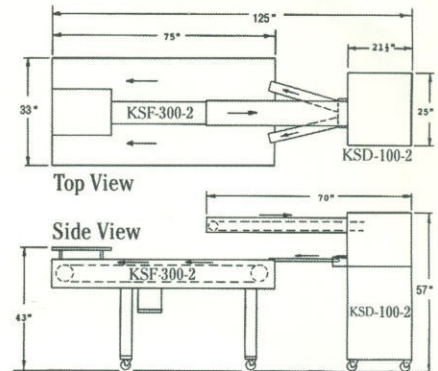
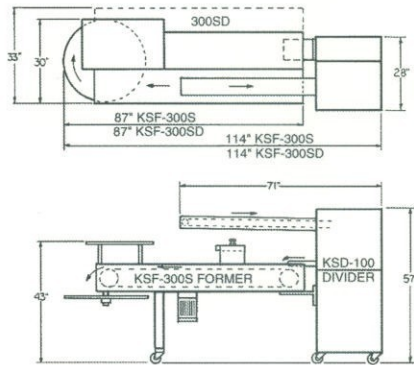
With a long tradition in the industry, Excellent moves into the 21st century. As one of the foremost manufacturers and distributors of bakery machinery for the largest wholesale bakers, we are also one of the largest suppliers to the bagel, bakery and food service markets.

To reach our goal of being the best, Excellent established an in-house system which makes it possible to see and test our fine line of products. You can see the process from scratch to finish at our showroom bakery or any associated retail shop.

And our machinery is made in America, assuring you of readily available parts and service to last a lifetime.

Whatever your needs, Excellent can supply complete packages, including training. Known for its high level of integrity, Excellent has become the best resource in the industry.

Excellent reserves the right to make any modifications or changes in design and engineering to their products to the latest technical standards without prior notice.



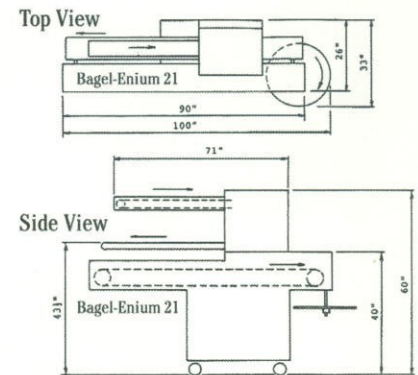
DESIGN FEATURES

Fastest—A realistic 300 dozen for the single machine and up to 650 dozen for the double machine.

Most Reliable—Constructed in the United States for a lifetime of low maintenance use.

Adjustable Speed Control for Divider.

Long-Range Confidence— We still supply parts and service for machines sold over 50 years ago!



BAGEL DIVIDERS & FORMERS

SPECIFICATIONS

Model #	HP	Length Inches	Width Inches	Height Inches	Weight Lbs.	Capacity
KSD-100/KSF-300S Single Divider/Single Former	3/4HP/1HP	114	30	57	1000	300 dozen
KSD-100/KSF-300SD Single Divider/Double Former w/Mini	3/4HP/1HP	114	33	57	1100	300 dozen
KSD-100-2/KSF-300-2 Double Divider/Double Former	1HP/2HP	125	33	57	1300	650 dozen
Bagel-Enium 21 Single Divider/Single Former	3/4HP/1HP	100	33	57	1200	300 dozen

VOLTAGE: 208/220V/3Ø/60HZ

REQUIRES: 20AMP SERVICE



EXCELLENT
BAKERY EQUIPMENT CO.
315 Fairfield Road, Fairfield, NJ 07004
888.BAGELS1-973.244.1664
<http://www.Excellent-Bagels.com>

