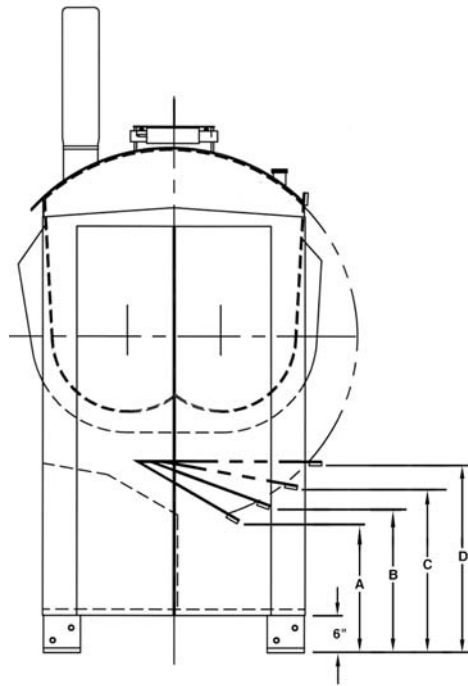


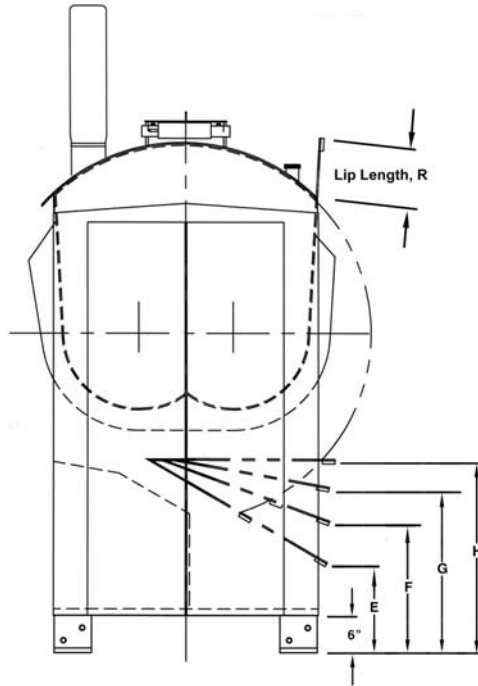
Peerless®

DOUBLE SIGMA MIXER

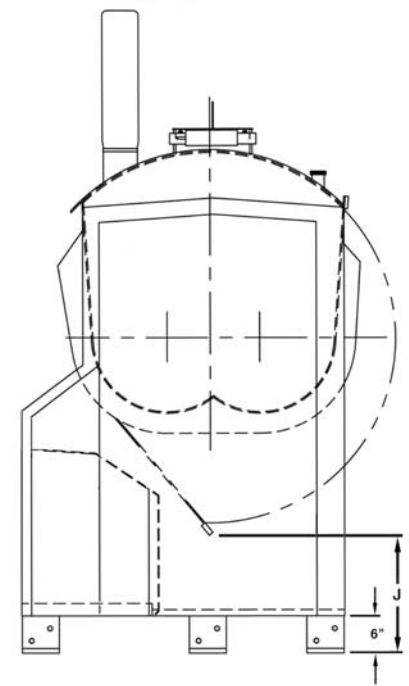
Heavy Duty



Tilt Height with Standard 2" Lip



Tilt Height with Extended Lip



Overtilt Option 140°

(INCHES)

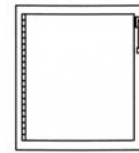
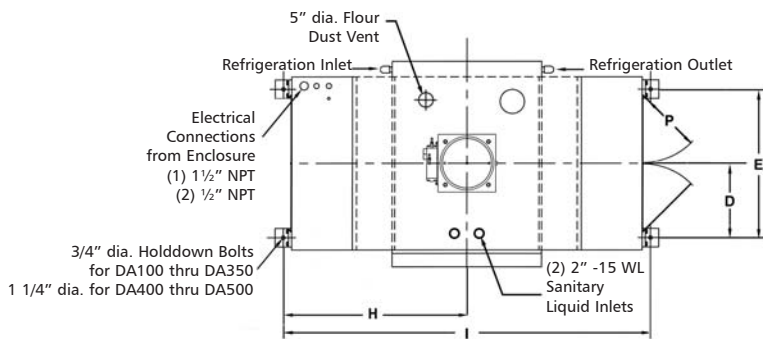
TILT ANGLE	120°			110°			100°			90°			OVERTILT OPTION 140°	
DIMENSION	A	R	E	B	R	F	C	R	G	D	R	H	J	R
DA50	24 1/2	14	18 1/2	27	9	24 1/2	30 1/4	4	30	34	2	34	21 5/8	2
DA100	21 1/2	16	14 1/2	23 3/4	10	21	27	5	26 1/2	30 1/2	2	30 1/2	19	2
DA150	21 1/2	16	14 1/2	23 3/4	10	21	27	5	26 1/2	30 1/2	2	30 1/2	19	2
DA200	24	13	18 1/2	27	6	25 1/2	31	2	31	35	2	35	20 1/2	2
DA250	23	10	19	26 1/4	4	25 1/2	30 1/2	2	30 1/2	35	2	35	18 5/8	2
DA300	26 1/4	14	20 1/4	29 1/2	7	27 3/4	33 1/2	2	33 1/2	38	2	38	23	2
DA350	25 3/4	15	19 1/4	28 3/4	8	26 3/4	32 3/4	2	32 3/4	37	2	37	22 1/2	2
DA400	26 3/4	18	18 3/4	30	9	27 1/2	34 1/2	3	34 1/4	39 1/2	2	39 1/2	24	2
DA500	30 1/2	23	20	33	14	29	37	8	36	41 1/2	2	41 1/2	39 1/2	2
DA600	28 3/4	23	18	31 1/2	14	27 1/2	35 3/4	7	34 3/4	40 1/2	2	40 1/2	29 1/2	2
DA650	31 1/4	24	20 1/4	33 3/4	15	29 1/2	37 3/4	8	36 1/2	42 1/2	2	42 1/2	29 3/4	2

Due to the continuous effort of Peerless Engineering to improve performance, dimensional data and specifications are subject to change without notice.

Dimensions are for reference only. Please refer to the Certified Data Drawing for final specifications.

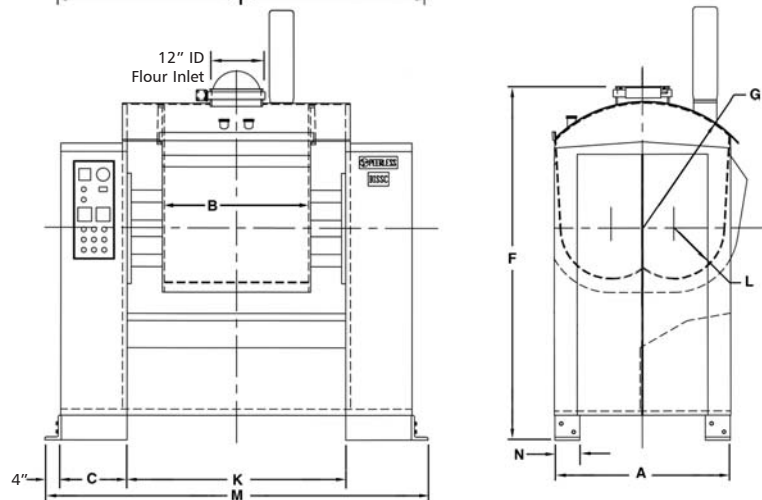


Peerless® DOUBLE SIGMA MIXER Heavy Duty



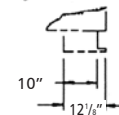
NEMA 12 Remote Mounted Starter Enclosure

NOTE:
Starter enclosure dimensions subject to motor horsepower and voltage.



NOTE:
Dimension "J" is required behind Mixer to easily remove Motor and Reducer. On most models, Motor and Reducer can be removed through end of the Mixer also.

Legs for DA 100/DA 150



DIMENSIONS (Inches)

MODEL	A	B	C	D	E	F	G	H	I	J	K	L	M	N	P
DA50	42	58	12 1/2	16 1/2	33	84 1/2	27 1/2	37 3/4	75 1/2	26	45	8 1/2	78	6	16 1/2
DA100	42	28	12 1/2	18	36	84 1/2	30	37 3/4	75 1/2	26	45	12	78	6	16 1/2
DA150	42	35	12 1/2	18	36	84 1/2	30	41 1/4	82 1/2	26	52	12	85	6	16 1/2
DA200	42	47	17 1/2	18	36	92	33	54	108	26	69	12	112	6	16 1/2
DA250	42	47	17 1/2	18	36	94	35	54	108	26	69	12	112	6	16 1/2
DA300	46	55	17 1/2	20	40	100	36	58	116	28	77	13	120	6	17 1/2
DA350	46	55	17 1/2	20	40	100	36	58	116	28	77	14	120	6	17 1/2
DA400	52	55	19	21 1/2	43	110 1/2	40	59 1/2	119	32	76	16	122	9	20 1/2
DA500	56	60	19	23 1/2	47	113 1/2	40	62 1/2	125	32	82	16	128	9	22 1/2
DA600	58	67	19	24 1/2	49	115 1/2	42	66	132	32	89	17	135	9	23 1/2
DA650	60	67	19	24 1/2	50	115 1/2	42	66	132	32	89	18	135	9	23 1/2

SPECIFICATIONS

MODEL	Mixing Capacity (Pounds)	Total Bowl Volume (Cu. Ft.)	Working Capacity (Cu. Ft.)	Drive Motor HP	Total Load (KVA)	Tilt Motor HP	Approx. Floor Load (Lbs./Sq. Ft.)	Approx. Net Weight (Pounds)	Shipping Weight (Pounds)
DA50	450	13.7	10.1	15/7.5	20	5	3,055	9,600	10,000
DA100	900	24.5	18.1	20/10	25	5	5,520	10,000	10,400
DA150	1,100	30.6	22.7	30/15	35	5	6,190	10,400	10,800
DA200	1,500	44.6	30.3	40/20	45	5	4,420	11,400	11,900
DA250	1,700	46.8	33.7	50/25	55	5	4,660	11,900	12,400
DA300	2,050	62.5	41.5	60/30	65	5	5,010	12,550	13,100
DA350	2,350	65.3	45.8	75/37.5	80	5	5,490	13,650	14,200
DA400	2,600	80.2	54.2	100/50	105	7 1/2	4,990	21,100	21,800
DA500	3,300	96.1	68.0	125/62.5	130	7 1/2	5,440	22,550	23,300
DA600	4,000	117.0	82.9	150/75	155	7 1/2	6,020	24,600	25,400
DA650	4,400	121.5	89.2	150/75	155	7 1/2	6,240	25,500	26,300

AGITATOR SPEEDS

Standard Two Speed Models

Low - 40 RPM

High - 80 RPM

Single Speed and variable speed versions are available as options.

Dimensions are for reference only. Please refer to the Certified Data Drawing for final specifications.



500 S. Vandemark Road
Sidney, OH 45365-0769 • USA
Tel: 937.492.4158 • 800.999.3327
Fax: 937.492.3688
www.thepeerlessgroup.us