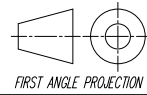
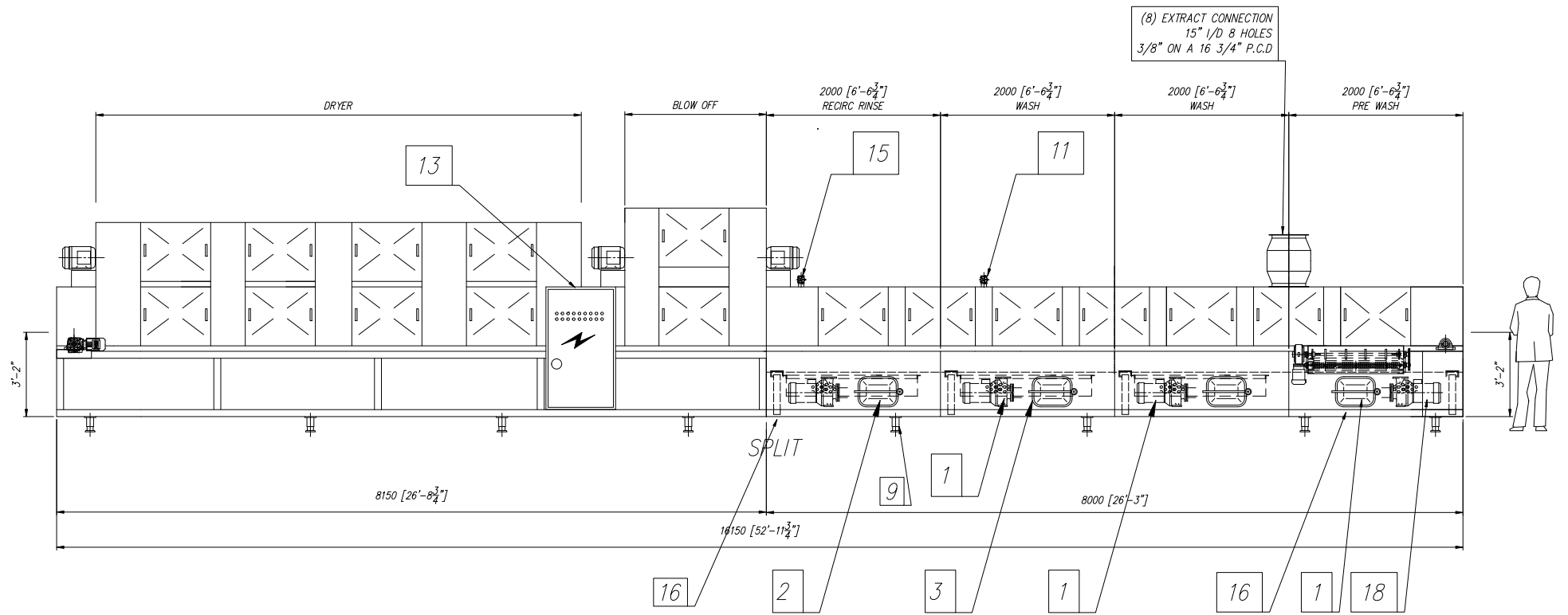
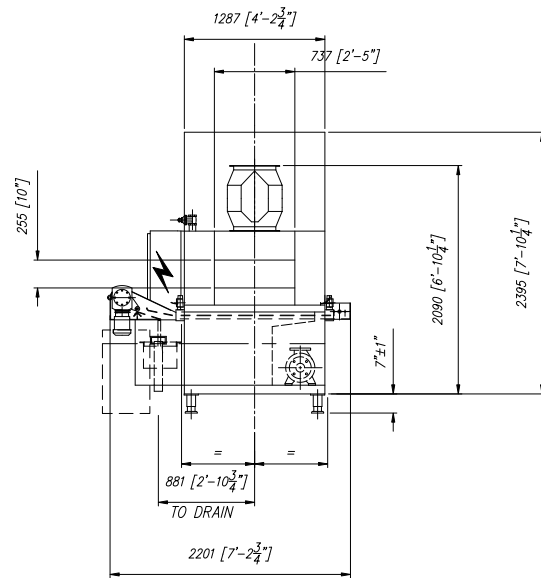


DRG.NO. W20753



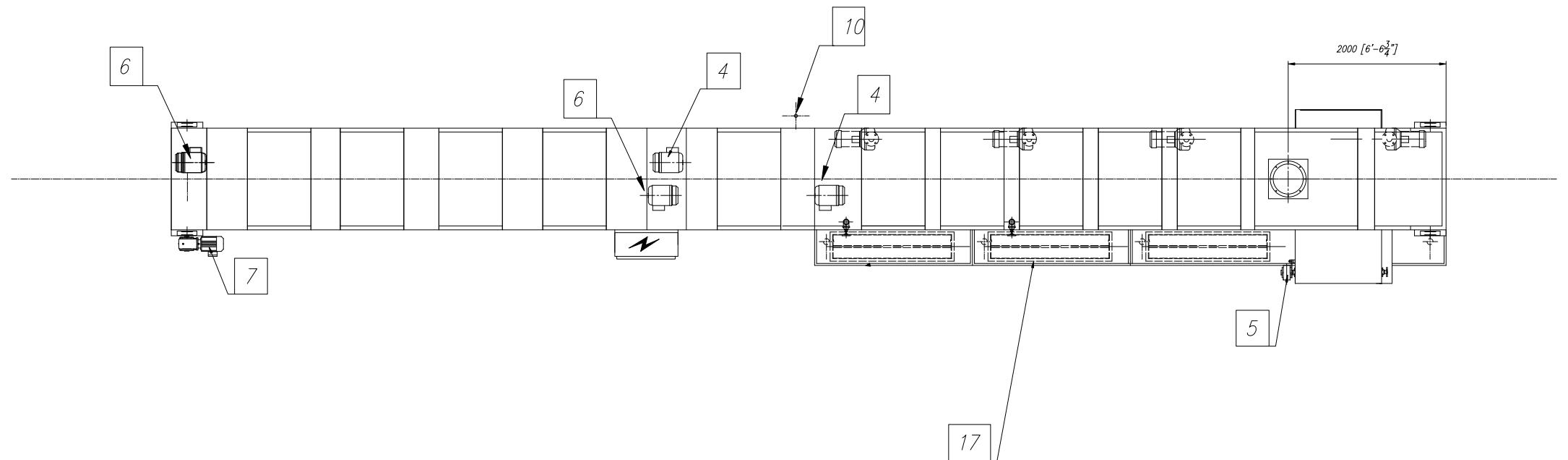
IF IN DOUBT ASK DO NOT SCALE.
ALL DIMENSIONS IN mm.

AMENDMENTS	DATE	BY	ISSUE
NEW DRG.			1



(B) EXTRACT CONNECTION
15" I/D 8 HOLES
3/8" ON A 16 3/4" P.C.D

1	WASH PUMP 10HP X 2
2	RECIRC. RINSE PUMP 10 HP
3	CLEANOUT DOORS X 3
4	BLOW-OFF FAN 2 X 10HP
5	MOVING BED FILTER DRIVE .25 HP
6	DRYER FAN 2 X 10HP
7	MACHINE DRIVE 2x0.75HP
8	STEAM EXTRACT FAN 0.55HP
9	ADJUSTABLE FEET
10	STEAM FEED CONNECTION 2" BSP
11	WATER FEED CONNECTION 1" BSP
12	DEBRIS COLLECTION BIN CUSTOMERS SUPPLY
13	ELECTRICAL CONTROL PANEL
15	FRESH RINSE CONNECTION 3/4" B.S.P
16	3" O/DIA DRAINS X 4
17	DEBRIS COLLECTION BASKETS
18	PRE WASH PUMP 10HP
STEAM CONSUMPTION: - 1500LBS/HR	
TOTAL ELECTRICAL LOAD: - 83 HP	
WATER CONSUMPTION 60GALS/HR	



NEWSMITH STAINLESS LTD.
LANGLEY MILLS
LIVERSEDGE, YORKS
PHONE 01924 405988 FAX 01924 403304

THIS DRG. IS THE PROPERTY
OF NEWSMITH STAINLESS LTD
AND MUST NOT BE COPIED
OR REPRODUCED WITHOUT
WRITTEN CONSENT.

TITLE
ARRGT OF S4

NOM. SIZE RANGE	TOLERANCES (UNLESS OTHERWISE STATED)				
	0-1	1-2	2-4	4-10	OVER 10
METRE	±2mm	±10mm	±15mm	±20mm	±25mm
TOL.	TURNING AND MILLING ±0.5mm				

CHECKED BY: _____ APPROVED BY: _____
DRAWN J.R. NEWTON SCALE 1:33.3
DATE 11:1:00 ISSUE 1
DRG. NO. W20753